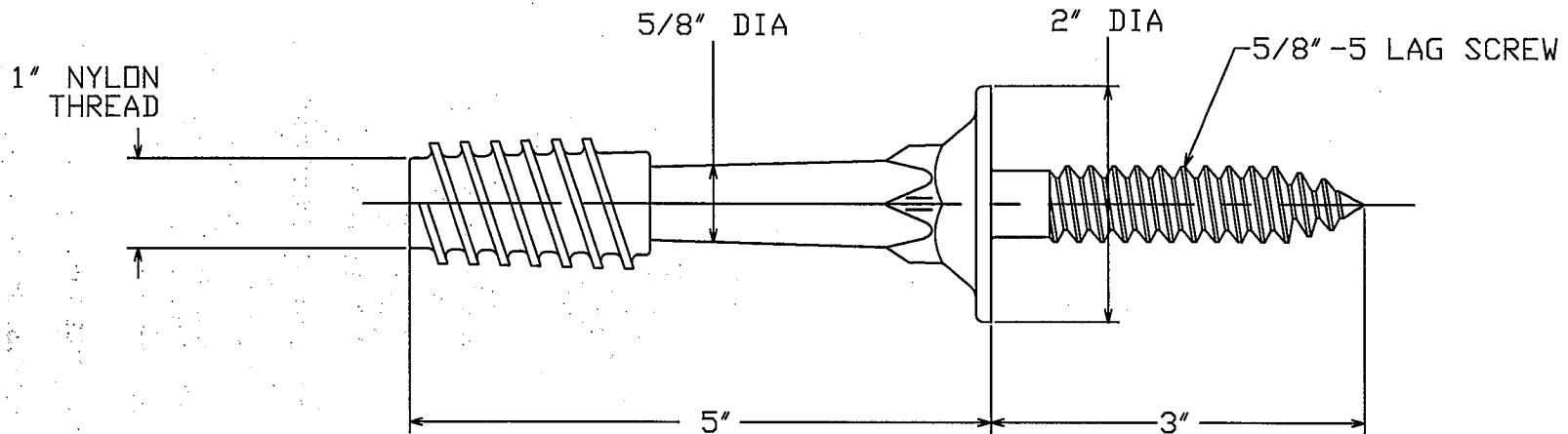


==NOTE==

1. MAT'L: FORGED STEEL GALVANIZED PER ASTM A153-LATEST REVISION.



CATALOG NUMBER: PS888P

CHANCE
TOLERANCE CHART



HUBBELL POWER SYSTEMS

CONFIDENTIAL: THIS DRAWING AND ITS CONTENTS ARE CONFIDENTIAL AND THE EXCLUSIVE PROPERTY OF HUBBELL POWER SYSTEMS. NO PUBLICATION, DISTRIBUTION OR COPIES MAY BE MADE WITHOUT THE WRITTEN CONSENT OF HUBBELL POWER SYSTEMS. HUBBELL POWER SYSTEMS UNPUBLISHED ALL RIGHTS RESERVED UNDER THE COPYRIGHT LAWS.

TITLE		5/8" LAG SCREW FORGED STEEL PIN	
SIZE	DWG NO.	CAT / PART / ASSY NO.	REV
SB	SA888P	PS888P	--
DO NOT SCALE THIS DRAWING	DRN BY JJL	DATE 07/02/09	SHEET 01 OF 01