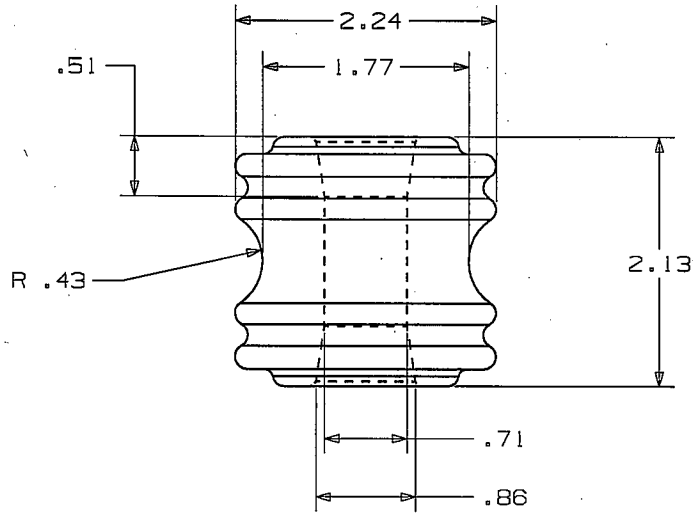
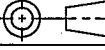





NOTES:

- 1.) MATERIAL: WET PROCESS PORCELAIN, GLAZED.
- 2.) INSULATORS PER ANSI C29.3 (LATEST REVISION).



CATALOG NUMBER: C909-1031

| | | | | | |
|---|----------|---|-------|---|--|
| LATEST EC NO: | | REV. | DATE | CHANGED BY | RESP ENGINEER |
| --- | | - | ----- | --- | --- |
| | | | | DO NOT SCALE THIS DWG | THIRD ANGLE PROJECTION  ISO DUAL DIMENSIONS IN=INCH, MM=MILLIMETER |
| DRN BY: | DATE | TITLE: | | | SIZE |
| JUL | 02-11-08 | SPOOL INSULATOR, 53-1 | | | B |
|  | |  | |  | DWG NO: SA909-1031 |

CONFIDENTIAL: THIS DRAWING AND ITS CONTENTS ARE CONFIDENTIAL AND THE EXCLUSIVE PROPERTY OF HUBBELL / A.B. CHANCE COMPANY. NO PUBLICATION, DISTRIBUTION OR COPIES MAY BE MADE WITHOUT WRITTEN CONSENT BY HUBBELL / A.B. CHANCE COMPANY. © 2001 HUBBELL/A.B. CHANCE. UNPUBLISHED - ALL RIGHTS RESERVED UNDER THE COPYRIGHT LAWS