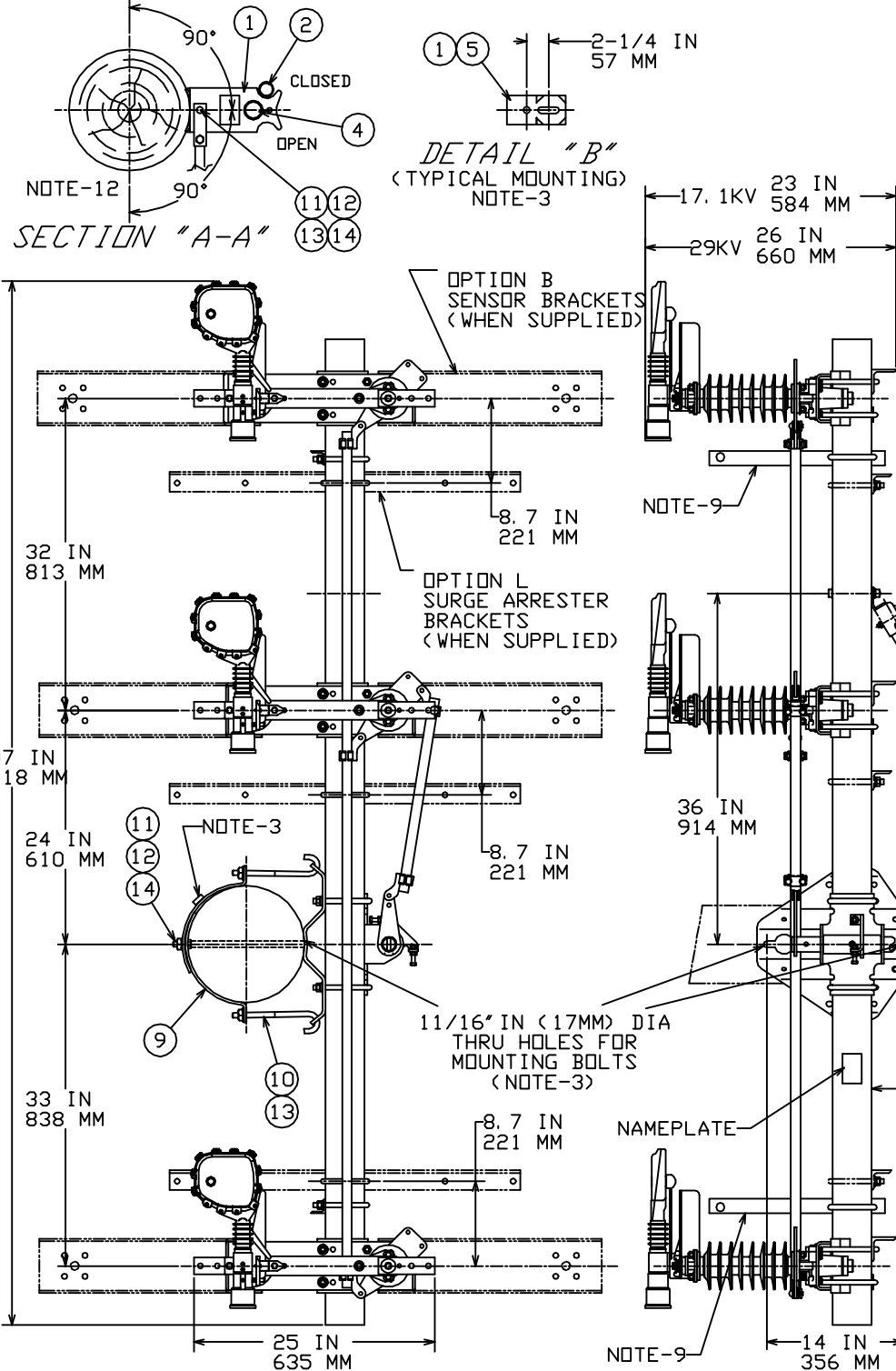


**-INSTALLATION NOTES-**

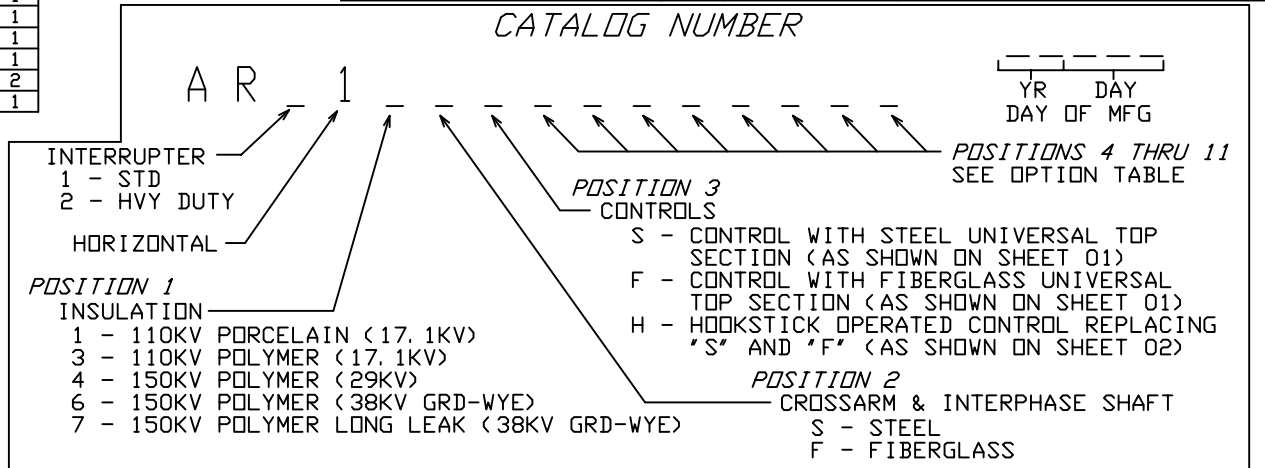
1. READ INSTALLATION INSTRUCTIONS FURNISHED WITH EACH SWITCH.
2. CONTROL SHOWN WITH SWITCH IN CLOSED POSITION.
3. MOUNTING BOLTS AND LAG SCREWS SUPPLIED BY USER.
4. GROUND CLAMP FOR #4 TO 4/0 CU. SUPPLIED WITH GROUND STRAP.
5. WIRE BRUSH CONDUCTORS AND APPLY CHANCE CONTACT SEALING PASTE ZLN TO CONDUCTORS AND BETWEEN SWITCH TERMINAL PADS AND CONNECTORS.
6. LOCATION DETERMINED BY USER.
7. OPERATING SHAFT MAY BE CUT OFF TO SHORTER LENGTHS AS DESIRED.
8. DEADENDS STANDARD, EXTENSION LINKS ARE REQUIRED WHEN DEADENDING TO THIS SWITCH, MIN LENGTH 14 IN (356 MM).
9. LIFT BRACKETS MUST BE REMOVED AFTER SWITCH INSTALLATION.
10. IF CROSSARM BRACE IS USED, DRILL HOLE IN POLE AT DIMENSION SHOWN.
11. REFER TO SHEET TWO FOR HOOKSTICK APPLICATION AND OPTION ITEMS.
12. CONTROL MAY BE 90° AROUND POLE FROM SWITCH MOUNTING.



POSITION 3 CONTROL			
ITEM	PART NUMBER	DESCRIPTION	QUAN
1	P818-2002	GUIDE	2
2	E818-2007	HANDLE, ASSEMBLY	1
3	091697	STRAP, GROUND ASSEMBLY	1
4	P816-0122	PIPE	3
5	E818-2008	GUIDE, ASSEMBLY	2
6	P816-0006	COUPLING	2
7	P001-1907	BOLT, RIBBED NECK, RD HD	7
8	P001-1570	LOCKNUT, 3/8" HEX	7
9	P816-0721	BAND, POLE	2
10	E816-0752	BOLT, J-HOOK ASSEMBLY	2
11	055635	NUT, 1/2" HEX	2
12	055869	BOLT, 1/2" X 1-1/2" HEX	2
13	055548	WASHER, 1/2" FLAT	3
14	055371	WASHER, 1/2" LOCK	2
15	P818-2041	COUPLING	1
16	E818-2042	CONTROL, STEEL UNIVERSAL	1
17	E818-2043	CONTROL, FIB UNIVERSAL	1
18	E818-1606	LEVER, ASSEMBLY	1
19	058536	BOLT, 3/8" X 1-3/4"	2
20	P001-0749	NUT, FLANGED 3/8"	4
21	055584	WASHER, 3/8" FLAT	7
22	P001-1560	PIN	2
23	055902	COTTER PIN	2
24	P818-1600	ROD, HORIZONTAL	1
25	P816-0721	BAND, POLE	2
26	E816-0752	BOLT, J-HOOK ASSEMBLY	2
27	055635	NUT, 1/2" HEX	1
28	055869	BOLT, 1/2" X 1-1/2" HEX	1
29	055548	WASHER, 1/2" FLAT	2
30	055371	WASHER, 1/2" LOCK	1
31	P818-1622	BRACKET	1
32	P001-1969	BOLT, 3/8" X 4-1/2" HEX	1
33	P001-1424	FLANGED LOCKNUT, 3/8" HEX	1
34	P001-1607	NUT, 3/8" ACORN	1
35	PSP8181701	ROLLER	1
36	056497	BOLT, 3/8 X 1, HEX	2
37	PSP8181700	SPRING LATCH	1

POSITIONS 4 THRU 11 OPTIONS				
	ITEM	PART NUMBER	DESCRIPTION	QUAN
B - SENSOR BRACKETS	B1	E818-1621	KIT, SENSOR MOUNTING	1
C - CONTROL INSULATOR	C1	E801-3397	INSULATOR, CONTROL	1
H - CAPTIVE HARDWARE	H1	P815-0025	BOLT, 1/2" CAPTIVE	12
	H2	055634	NUT, 1/2" HEX	12
	H3	058883	WASHER, 1/2" FLAT	12
	L1	P801-3468	BRACKET, SA	3
	L2	P816-0658	BOLT, MOUNTING	3
L - SURGE ARRESTER BRACKETS	L3	055548	WASHER, 1/2" FLAT	6
	L4	055371	WASHER, 1/2" SPRING LOCK	12
	L5	055635	NUT, 1/2" HEX	12
	L6	055545	BOLT, 1/2" X 2" HEX	6
	P - EXTRA PIPE	P1	P816-0122	PIPE
P2		E818-2008	GUIDE, ASSEMBLY	1
P3		P816-0006	COUPLING	1
P4		P001-1907	BOLT, RIBBED NECK, RD HD	2
P5		P001-1570	NUT, 3/8" LOCK	2
S - STEEL CROSSARM BRACE	S1	8705	BOLT, 1/2" X 5" W/SQ NUT	1
	S2	055548	WASHER, 1/2" FLAT	2
	S3	055371	WASHER, 1/2" SPRING LOCK	1
	S4	P816-0175	BRACE, CROSSARM STEEL	1
T - TERMINAL CONNECTORS	T1	ATC1343	TERMINAL	6
	W1	8705	BOLT, 1/2" X 5" W/SQ NUT	1
W - WOOD CROSSARM BRACE	W2	055548	WASHER, 1/2" FLAT	2
	W3	055371	WASHER, 1/2" SPRING LOCK	1
	W4	P816-0194	BRACE, CROSSARM WOOD	1
	X - EXTENSION LINKS	X1	C207-0112	LINKS, EXTENSION
G1		SWL-025-B	TERMINAL, BRZ BOLTED CABLE	6
G - TERMINAL CONNECTORS	G2	P815-0025	BOLT, 1/2" CAPTIVE	12
	G3	055634	NUT, 1/2" HEX	12
G4	058883	WASHER, 1/2" FLAT	12	

OPTIONS "C" AND "P" DO NOT APPLY WHEN HOOKSTICK OPERATED CONTROL SUPPLIED



CONTROL "S" AND "F" SHOWN

NOTE: 28 FT/8.5 M OF PIPE SUPPLIED AS STANDARD WITH "S" OR "F" CONTROL. FOR ADDITIONAL PIPE SEE OPTION P

CONFIDENTIAL

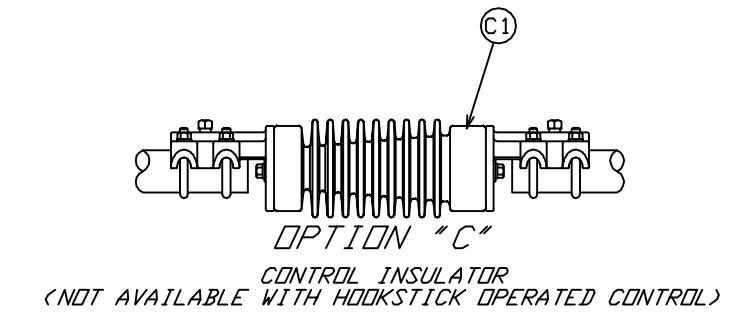
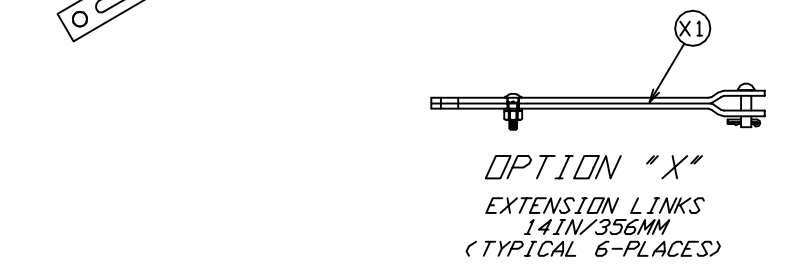
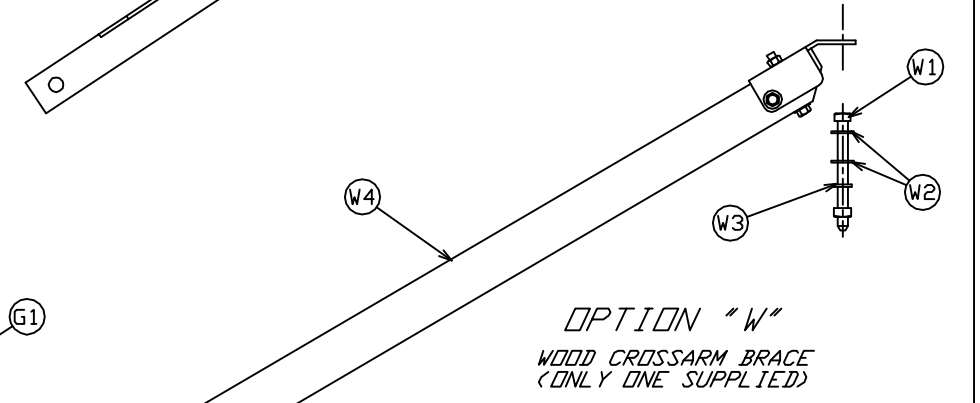
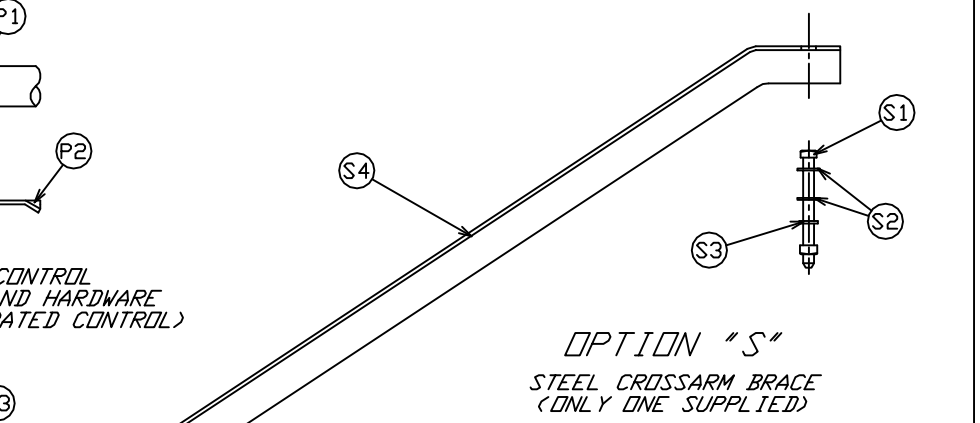
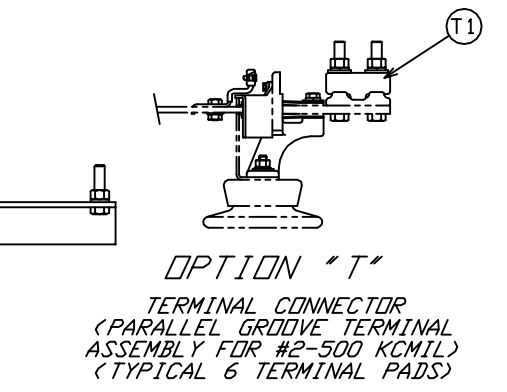
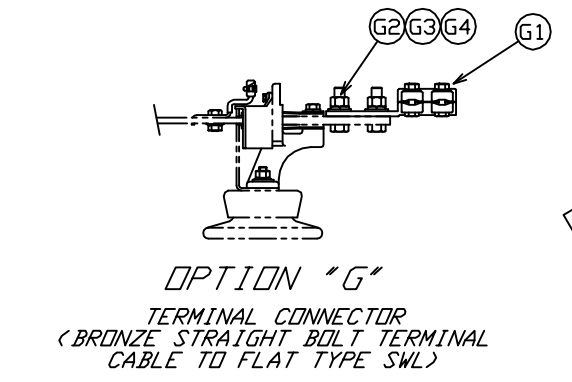
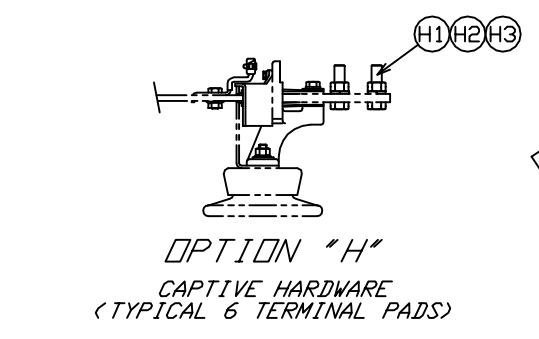
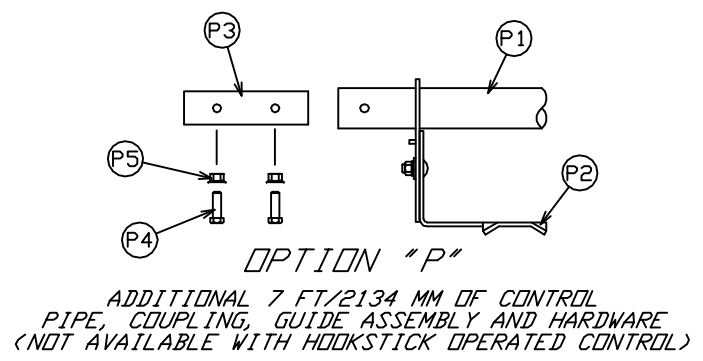
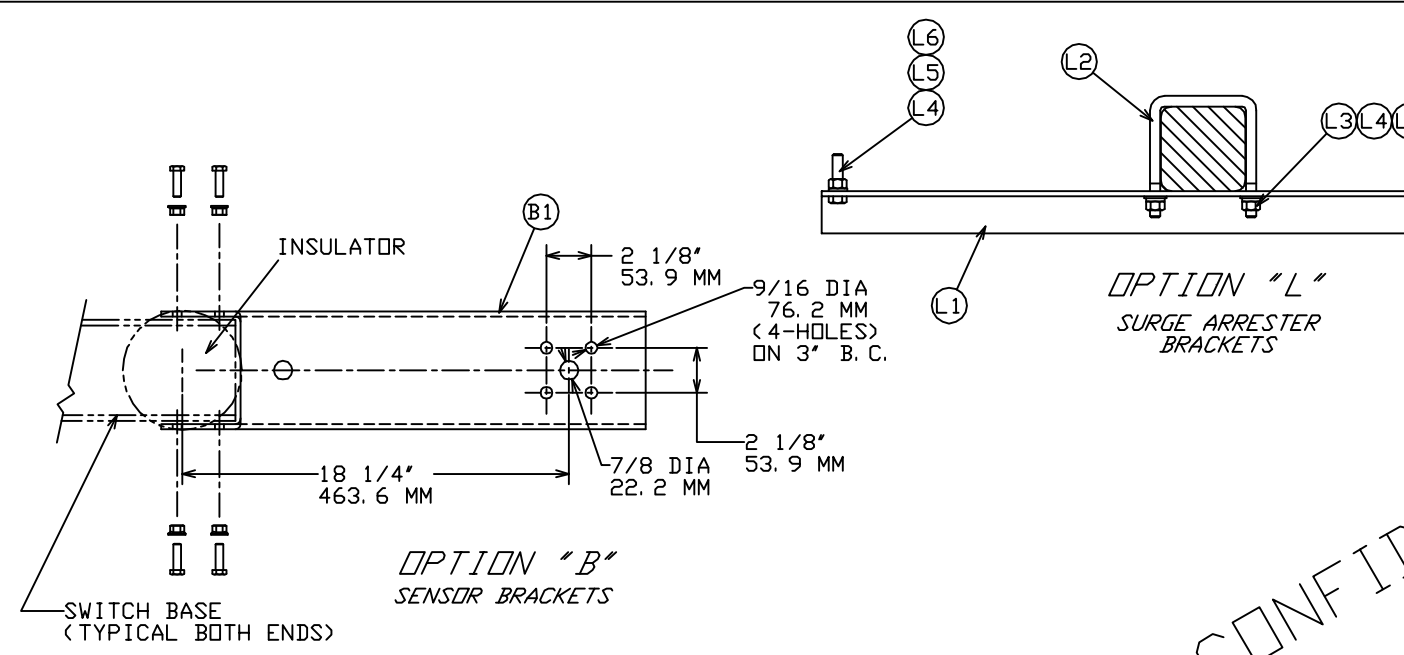
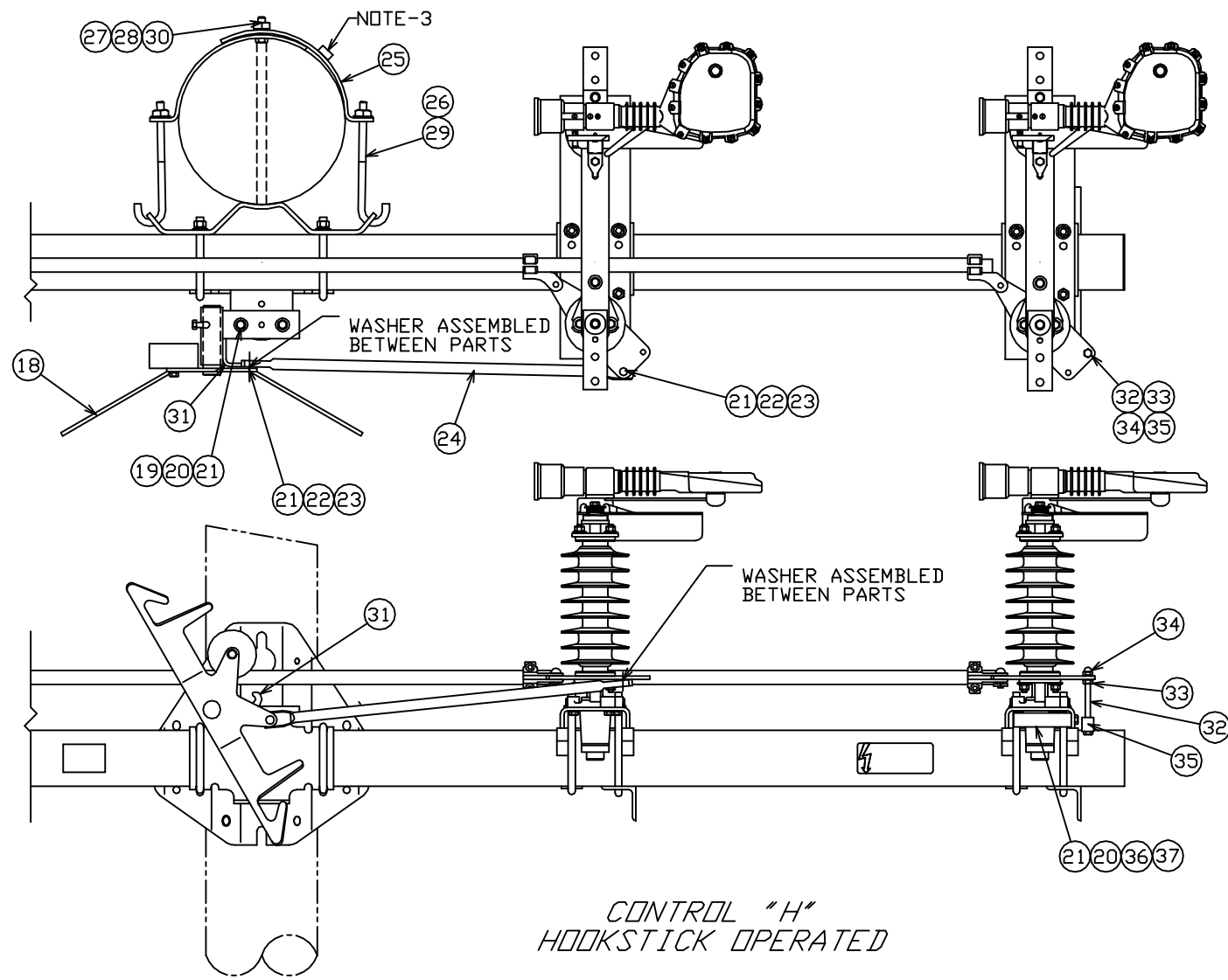
CHANCE TOLERANCE CHART EC 49995

HUBBELL POWER SYSTEMS DRAWING, SWITCH CONTROL

CONFIDENTIAL: THIS DRAWING AND ITS CONTENTS ARE CONFIDENTIAL AND THE EXCLUSIVE PROPERTY OF HUBBELL POWER SYSTEMS. NO PUBLICATION, DISTRIBUTION OR COPIES MAY BE MADE WITHOUT THE WRITTEN CONSENT OF HUBBELL POWER SYSTEMS. HUBBELL POWER SYSTEMS UNPUBLISHED ALL RIGHTS RESERVED UNDER THE COPYRIGHT LAWS.

SIZE: D DWG NO: SAAR11 CAT / PART / ASSY NO: SEE CHART REV: J

DO NOT SCALE THIS DRAWING DRN BY: ROBERTS DATE: 1/23/03 SHEET: 01 OF 02



CONFIDENTIAL

This drawing and its contents are for internal use by original recipient only and are not to be distributed outside original recipient's organization without prior written consent of Hubbell Power Systems, Inc.

CHANCE TOLERANCE CHART EC 49995		HUBBELL POWER SYSTEMS POWER SYSTEMS, INC.	
TITLE DRAWING SWITCH CONTROL			
SIZE DWG NO. D SAAR11	CAT / PART / ASSY NO. SEE CHART	REV J	
DO NOT SCALE THIS DRAWING	DRN BY ROBERTS	DATE 1/23/03	SHEET 02 OF 02