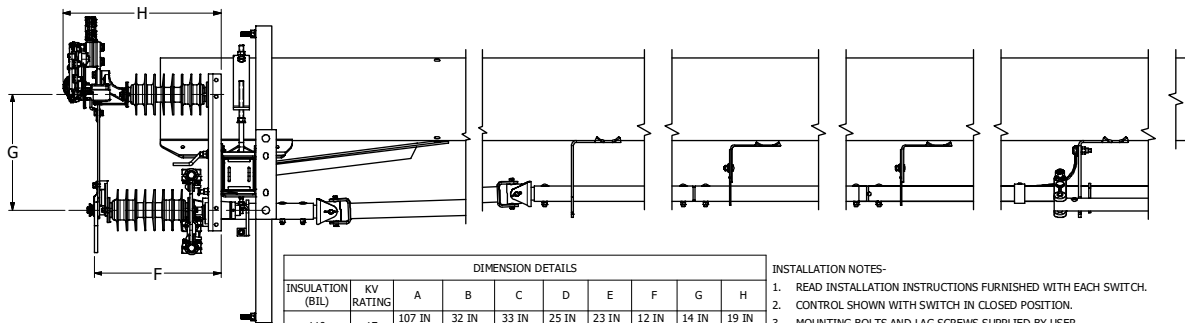


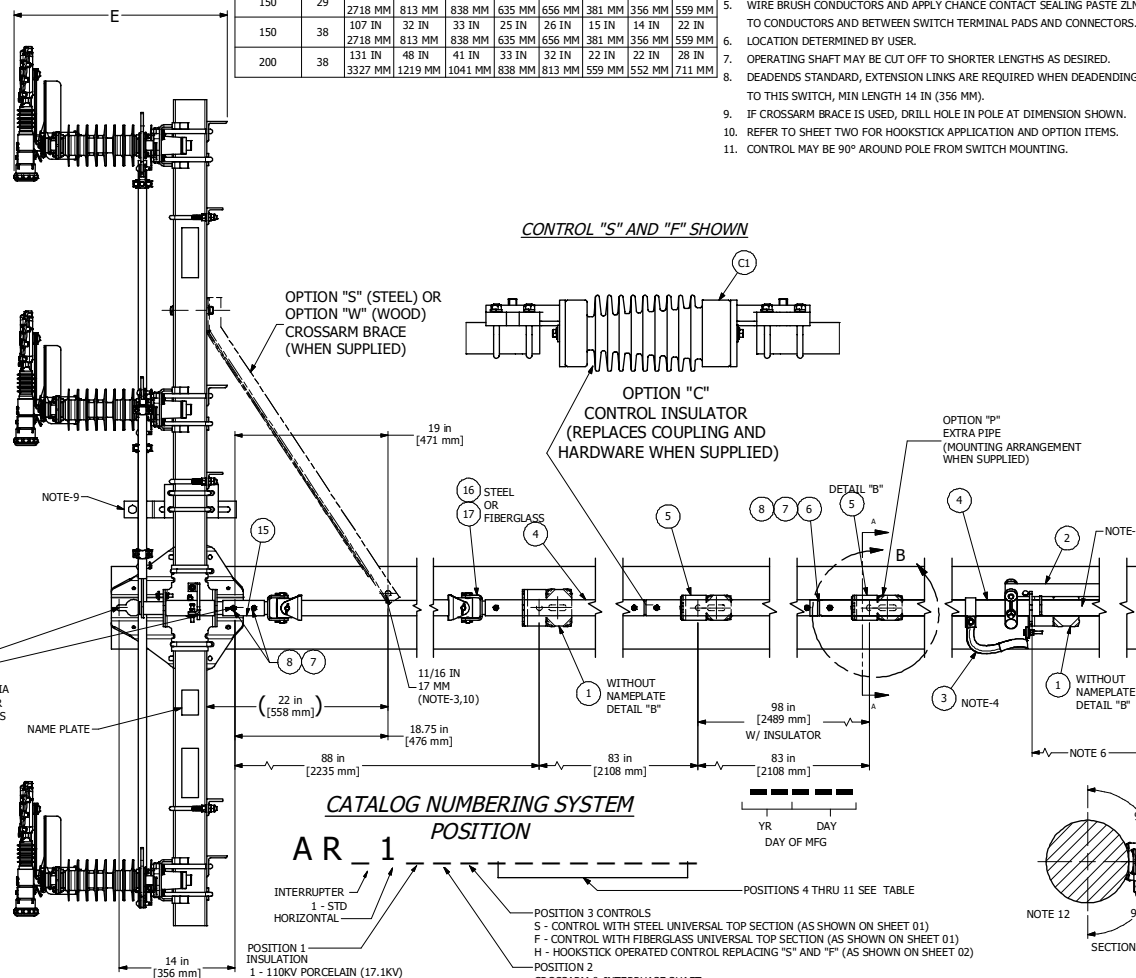
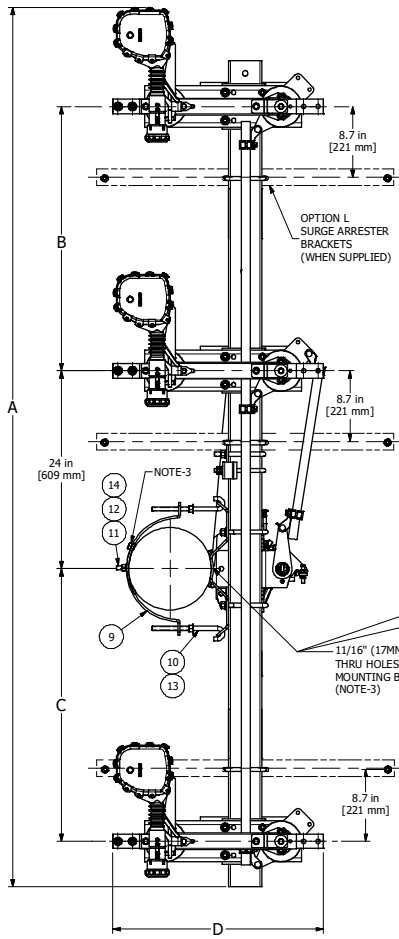
DETAIL B
TYPICAL MOUNTING
NOTE-3



DIMENSION DETAILS									
INSULATION (BIL)	KV RATING	A	B	C	D	E	F	G	H
110	17	107 IN	32 IN	33 IN	25 IN	23 IN	12 IN	14 IN	19 IN
		2718 MM	813 MM	838 MM	635 MM	584 MM	305 MM	356 MM	483 MM
150	29	107 IN	32 IN	33 IN	25 IN	26 IN	15 IN	14 IN	22 IN
		2718 MM	813 MM	838 MM	635 MM	656 MM	381 MM	356 MM	559 MM
150	38	107 IN	32 IN	33 IN	25 IN	26 IN	15 IN	14 IN	22 IN
		2718 MM	813 MM	838 MM	635 MM	656 MM	381 MM	356 MM	559 MM
200	38	131 IN	48 IN	41 IN	33 IN	32 IN	22 IN	22 IN	28 IN
		3327 MM	1219 MM	1041 MM	838 MM	813 MM	559 MM	552 MM	711 MM

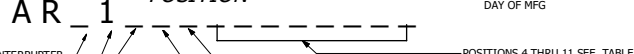
INSTALLATION NOTES-

1. READ INSTALLATION INSTRUCTIONS FURNISHED WITH EACH SWITCH.
2. CONTROL SHOWN WITH SWITCH IN CLOSED POSITION.
3. MOUNTING BOLTS AND LAG SCREWS SUPPLIED BY USER.
4. GROUND CLAMP FOR #4 TO 4/0 CU. SUPPLIED WITH GROUND STRAP.
5. WIRE BRUSH CONDUCTORS AND APPLY CHANCE CONTACT SEALING PASTE ZLN TO CONDUCTORS AND BETWEEN SWITCH TERMINAL PADS AND CONNECTORS.
6. LOCATION DETERMINED BY USER.
7. OPERATING SHAFT MAY BE CUT OFF TO SHORTER LENGTHS AS DESIRED.
8. DEADENDS STANDARD, EXTENSION LINKS ARE REQUIRED WHEN DEADENDING TO THIS SWITCH, MIN LENGTH 14 IN (356 MM).
9. IF CROSSARM BRACE IS USED, DRILL HOLE IN POLE AT DIMENSION SHOWN.
10. REFER TO SHEET TWO FOR HOOKSTICK APPLICATION AND OPTION ITEMS.
11. CONTROL MAY BE 90° AROUND POLE FROM SWITCH MOUNTING.



CONTROL "S" AND "F" SHOWN

CATALOG NUMBERING SYSTEM
POSITION

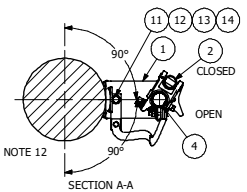


- POSITION 1
INSULATION
1 - 110KV PORCELAIN (17.1KV)
3 - 110KV POLYMER (17.1KV)
4 - 150KV POLYMER (29KV)
6 - 150KV POLYMER (38KV GRD-WYE)
7 - 150KV POLYMER LONG LEAK (38KV GRD-WYE)
8 - 200KV POLYMER (38KV)

- POSITION 2
CROSSARM & INTERPHASE SHAFT
S - STEEL
F - FIBER GLASS
M - STEEL CROSSARM & FIBERGLASS INTERPHASE

BILL OF MATERIAL			DESCRIPTION
ITEM	PART NUMBER	QTY.	
1	P818-2002	2	GUIDE
2	E818-2007	1	HANDLE ASSEMBLY
3	091697	1	STRAP, GROUND ASSEMBLY
4	P816-0122	3	PIPE
5	E818-2008	2	GUIDE, ASSEMBLY
6	P816-0006	2	COUPLING
7	P001-1907	7	RIBBED NECK BOLT
8	P001-1570	7	HEX LOCKNUT, 3/8"
9	P816-0721	2	BAND, POLE
10	E816-0752	2	J HOOK BOLT ASSY
11	055635	2	1/2-13 HEX NUT.
12	055869	2	1/2-13 X 1-1/2" HEX BOLT
13	055548	3	WASHER, FLAT 1/2"
14	055371	2	WASHER, LOCK 1/2"
15	P818-2041	1	COUPLING
16	E818-2042	1	CONTROL, STEEL UNIVERSAL
17	E818-2043	1	CONTROL, FIB UNIVERSAL
18	PSE8181804	1	LEVER ASSY, OVERTOGGLE HOOKSTICK AR SWITCH
19	058536	2	BOLT, HH 3/8"-16 UNC X 1-3/4" GALV
20	P001-0749	2	LOCKNUT, 3/8 FLANGED SERRATED
21	055584	4	WASHER, 3/8"
22	P001-1560	2	PIN
23	PSZ0012039	2	COTTER PIN
24	PSP8181800	1	MOUNTING BRACKET, AR SWITCH
25	PSP8181802	1	SHAFT, HOOKSTICK AR SWITCH
26	PSP8181803	1	SPRING, OVERTOGGLE
27	P001-0822	1	BOLT, MCH HH 3/16 X 1.5" SST
28	PSZ0012525	2	WASHER, PLAIN, .406 ID X 1.5 OD X .052/.072 THK SST
29	PSZ0012524	1	SCREW, SOCKET BUTTON HEAD 3/8-16 UNC X 1 SST
30	P816-0721	2	BAND, POLE
31	E816-0752	2	BOLT, J-HOOK ASSEMBLY
32	055635	1	NUT, 1/2" HEX
33	055869	1	BOLT, 1/2" X 1-1/2" HEX
34	055548	2	WASHER, 1/2" FLAT
35	055371	1	WASHER, 1/2" LOCK
**POSITION 4 THRU 11			
B-SENSOR BRACKETS	B1	E818-1621	1 KIT, SENSOR MOUNTING
C-CONTROL INSULATOR	C1	E801-3397	1 INSULATOR, CONTROL
H-CAPTIVE HARDWARE	H1	P815-0025	12 BOLT, SHLDR 1/2" X 1-3/4" SST
	H2	055634	12 NUT, HEX 1/2" SIL BRZ
	H3	058883	12 LOCKWASHER, 1/2" SS SPRING
L-SURGE BRACKET	L1	P801-3468	3 BRACKET, SA
	L2	P816-0658	3 BOLT, MOUNTING
	L3	055594	6 WASHER, 1/2" FLAT
	L4	055371	12 WASHER, 1/2" SPRING LOCK
	L5	055635	12 NUT, 1/2" HEX
	L6	055545	6 BOLT, 1/2" X 2" HEX
P-EXTRA PIPE	P1	P816-0122	1 PIPE
	P2	E818-2008	1 GUIDE, ASSEMBLY
	P3	P816-0006	1 COUPLING
	P4	P001-1907	2 BOLT, RIBBED NECK, RD HD
S-STEEL CROSSARM BRACE	P5	P001-1570	2 NUT, 3/8" LOCK
	S1	8705	1 BOLT, 1/2" X 5" W/SQ NUT
	S2	055548	2 WASHER, 1/2" FLAT
	S3	055371	1 WASHER, 1/2" SPRING LOCK
	S4	P816-0175	1 BRACE, CROSSARM STEEL
T-TERMINAL CONNECTOR	T1	ATC1343	6 TERMINAL, PG ASSY
W-WOOD CROSSARM BRACE	W1	8705	1 BOLT, 1/2" X 5" W/SQ NUT
	W2	055548	2 WASHER, 1/2" FLAT
	W3	055371	1 WASHER, 1/2" SPRING LOCK
	W4	P816-0175	1 BRACE, CROSSARM WOOD
X-EXTENSION LINK	X1	C207-0113	6 LINKS, EXTENSION
G-TERMINAL CONNECTOR	G1	SWL-025-B	6 TERMINAL, BRZ BOLTED CABLE
	G2	P815-0025	12 BOLT, 1/2" CAPTIVE
	G3	055634	12 NUT, 1/2" HEX
	G4	058883	12 WASHER, 1/2" FLAT

** OPTION "C" AND "P" DO NOT APPLY WHEN HOOKSTICK OPERATED CONTROL SUPPLIED



NOTE: 28 FT/8.5 M OF PIPE SUPPLIED AS STANDARD WITH "S" OR "F" CONTROL. FOR ADDITIONAL PIPE SEE OPTION P

PROPERTY & COPYRIGHT: THIS DRAWING AND ITS CONTENTS ARE CONFIDENTIAL AND THE EXCLUSIVE PROPERTY OF HUBBELL POWER SYSTEMS, INC. NO REPRODUCTION, DISTRIBUTION OR USE OF THIS DRAWING WITHOUT THE WRITTEN CONSENT OF HUBBELL POWER SYSTEMS, INC. IS PERMITTED UNDER THE COPYRIGHT LAWS.

THIS SYMBOL INDICATES CRITICAL FEATURES. DIMENSIONS USED - UNLESS OTHERWISE SPECIFIED, ALL DIMENSIONS ARE IN INCHES.

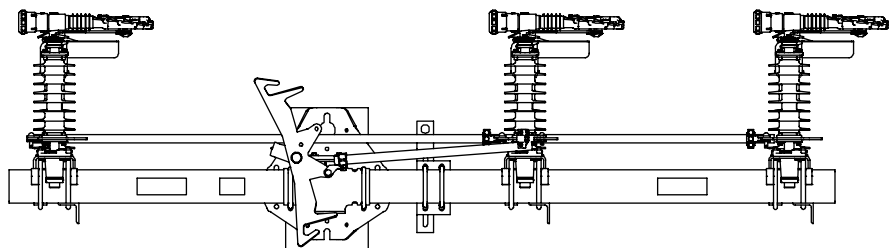
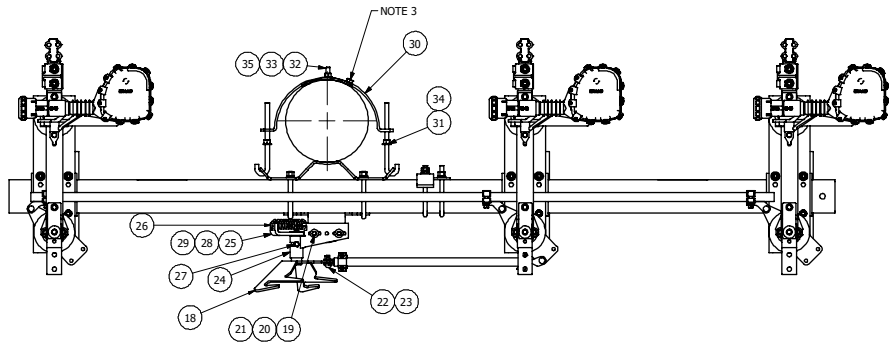
HUBBELL POWER SYSTEMS, Inc.

DRAWING SWITCH CONTROL

REV. N

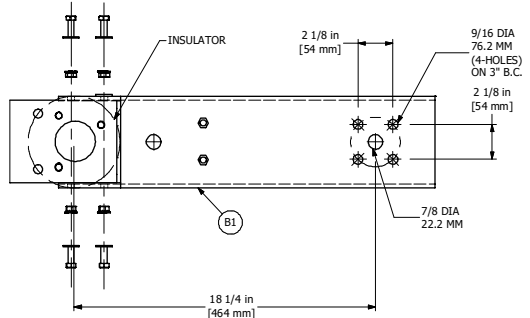
DATE: 1/23/2002

REV.	ECN	DESCRIPTION	DATE	CHG BY	RESP ENG
N	220318018223	ADDED G AND H TO THE DIMENSION DETAILS CHART	03-21-22	SR	CLARK

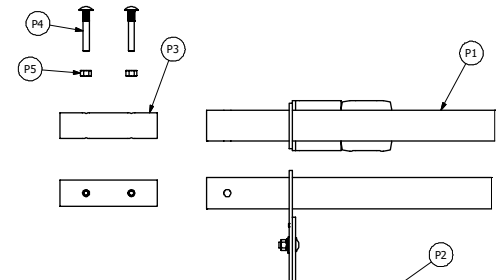


CONTROL "H"
HOOKSTICK OPERATED

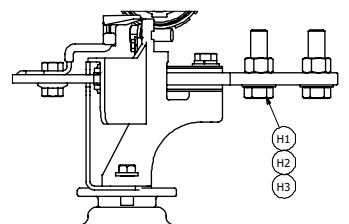
OPTION "L"
SURGE ARRESTER
BRACKETS



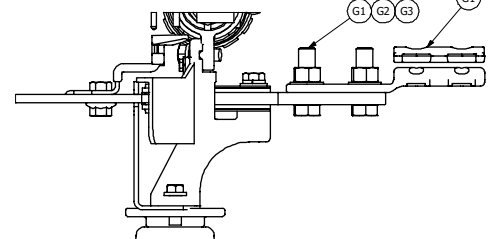
OPTION "B"
SENSOR BRACKETS



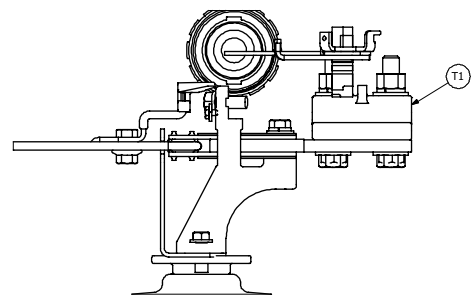
OPTION "P"
ADDITIONAL 7 FT/2134 MM OF CONTROL PIPE,
COUPLING, GUIDE ASSEMBLY AND HARDWARE
(NOT AVAILABLE WITH HOOKSTICK OPERATED CONTROL)



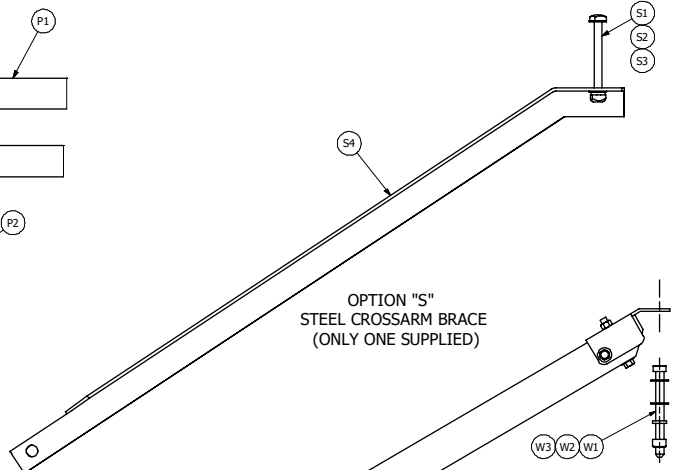
OPTION "H"
CAPTIVE HARDWARE (TYPICAL 6 TERMINAL PADS)



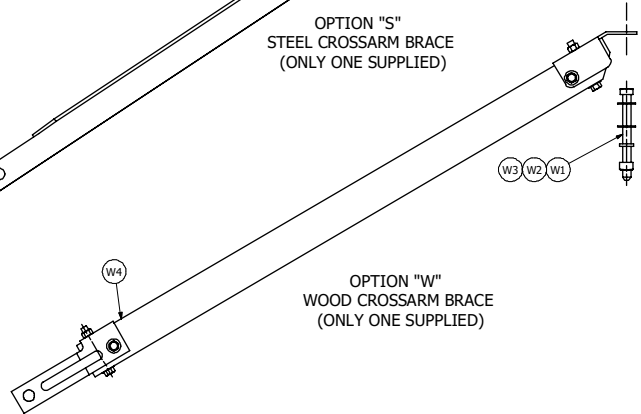
OPTION "G"
TERMINAL CONNECTOR
(BRONZE STRAIGHT BOLT TERMINAL CABLE TO FLAT TYPE SWL)



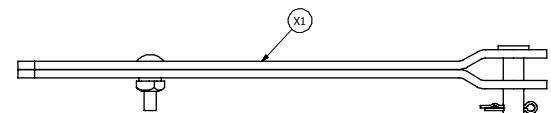
OPTION "T"
TERMINAL CONNECTOR
(PARALLEL GROOVE TERMINAL ASSEMBLY FOR #2-500 KCMIL)
(TYPICAL 6 TERMINAL PADS)



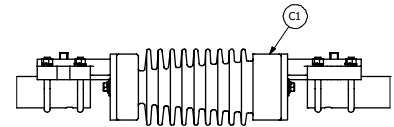
OPTION "S"
STEEL CROSSARM BRACE
(ONLY ONE SUPPLIED)



OPTION "W"
WOOD CROSSARM BRACE
(ONLY ONE SUPPLIED)



OPTION "X"
EXTENSION LINKS 14IN/356MM
(TYPICAL 6-PLACES)



OPTION "C"
CONTROL INSULATOR
(NOT AVAILABLE WITH HOOKSTICK OPERATED CONTROL)

<small>PROPRIETARY & CONFIDENTIAL THIS DRAWING AND ITS CONTENTS ARE CONFIDENTIAL AND THE EXCLUSIVE PROPERTY OF HUBBELL POWER SYSTEMS, INC. NO PART OF THIS DOCUMENT OR HEREIN MAY BE REPRODUCED OR TRANSMITTED IN ANY FORM OR BY ANY MEANS, ELECTRONIC OR MECHANICAL, INCLUDING PHOTOCOPYING, RECORDING, OR BY ANY INFORMATION STORAGE AND RETRIEVAL SYSTEM, WITHOUT THE WRITTEN CONSENT OF HUBBELL POWER SYSTEMS, INC. UNPUBLISHED AND ALL RIGHTS RESERVED UNDER THE COPYRIGHT LAWS.</small>		HUBBELL POWER SYSTEMS, Inc.		
<small>THIS SYMBOL IDENTIFIES CRITICAL FEATURES. SYMBOLS USED - SYMBOLS NOT USED - UNLESS OTHERWISE SPECIFIED, ALL DIMENSIONS ARE IN INCHES.</small>		<small>SIZE</small> D <small>DWG NO.</small> SAAR11 <small>WOL:</small> 8996.59 <small>WVT:</small> 3781.5	<small>CAT / PART / ASSY NO.</small> SAAR11 <small>DATE:</small> 1/23/2000 <small>DRN BY:</small> RDB	<small>REV</small> N <small>SHEET 2 OF 2</small>
<small>TITLE</small> DRAWING SWITCH CONTROL				