

ITEM	PART NUMBER	DESCRIPTION	QUAN
1	E801-1970	HANDLE ASSEMBLY	1
2	091861	STRAP, GROUND ASSEMBLY	1
3	V801-1892	ADAPTER, ROD END ASSEMBLY	1
4	E818-2050	PIPE, LOWER SECTION	1
5	E818-2032	LEVER, STEADY ASSEMBLY	3
6	E818-2051	PIPE, CENTER SECTION	2
7	P816-0721	BAND, POLE	4
8	055869	BOLT, 1/2" X 1-1/2" HEX	2
9	055635	WASHER, 1/2" HEX	2
10	055635	NUT, 1/2" HEX	2
11	E816-0752	BOLT, J-HOOK ASSEMBLY	4
12	055548	WASHER, 1/2" FLAT	4
13	E818-2052	PIPE, TOP SECTION	4
14	E818-2029	TUBE, FIBERGLASS ASSEMBLY	1

ITEM	PART NUMBER	DESCRIPTION	QUAN
B	SENSOR BRACKETS	B1 E818-1621 KIT, SENSOR MOUNTING	1
D	CONTROL INSULATOR	D1 E801-3397 INSULATOR, CONTROL	1
G	TERMINAL CONNECTORS	G1 SWL-025-B TERMINAL, BRZ BOLTED CABLE	6
		G2 P815-0025 BOLT, 1/2" CAPTIVE	12
		G3 055634 NUT, 1/2" HEX	12
		G4 058883 WASHER, 1/2" FLAT	12
H	CAPTIVE HARDWARE	H1 P815-0025 BOLT, 1/2" CAPTIVE	12
		H2 055634 NUT, 1/2" HEX	12
		H3 058883 WASHER, 1/2" FLAT	12
L	SURGE ARRESTER BRACKETS	L1 P801-3468 BRACKET, SA	3
		L2 P816-0658 BOLT, MOUNTING	6
		L3 055548 WASHER, 1/2" FLAT	6
		L4 055371 NUT, 1/2" SPRING LOCK	12
		L5 055635 NUT, 1/2" HEX	12
R	EXTRA PIPE	R1 E818-2032 BOLT, 1/2" X 2" HEX	6
T	TERMINAL CONNECTORS	R2 E818-2051 LEVER, STEADY ASSEMBLY	1
X	EXTENSION LINKS	T1 ATC1343 PIPE, CENTER SECTION	1
		X1 C207-0112 LINKS, EXTENSION	6

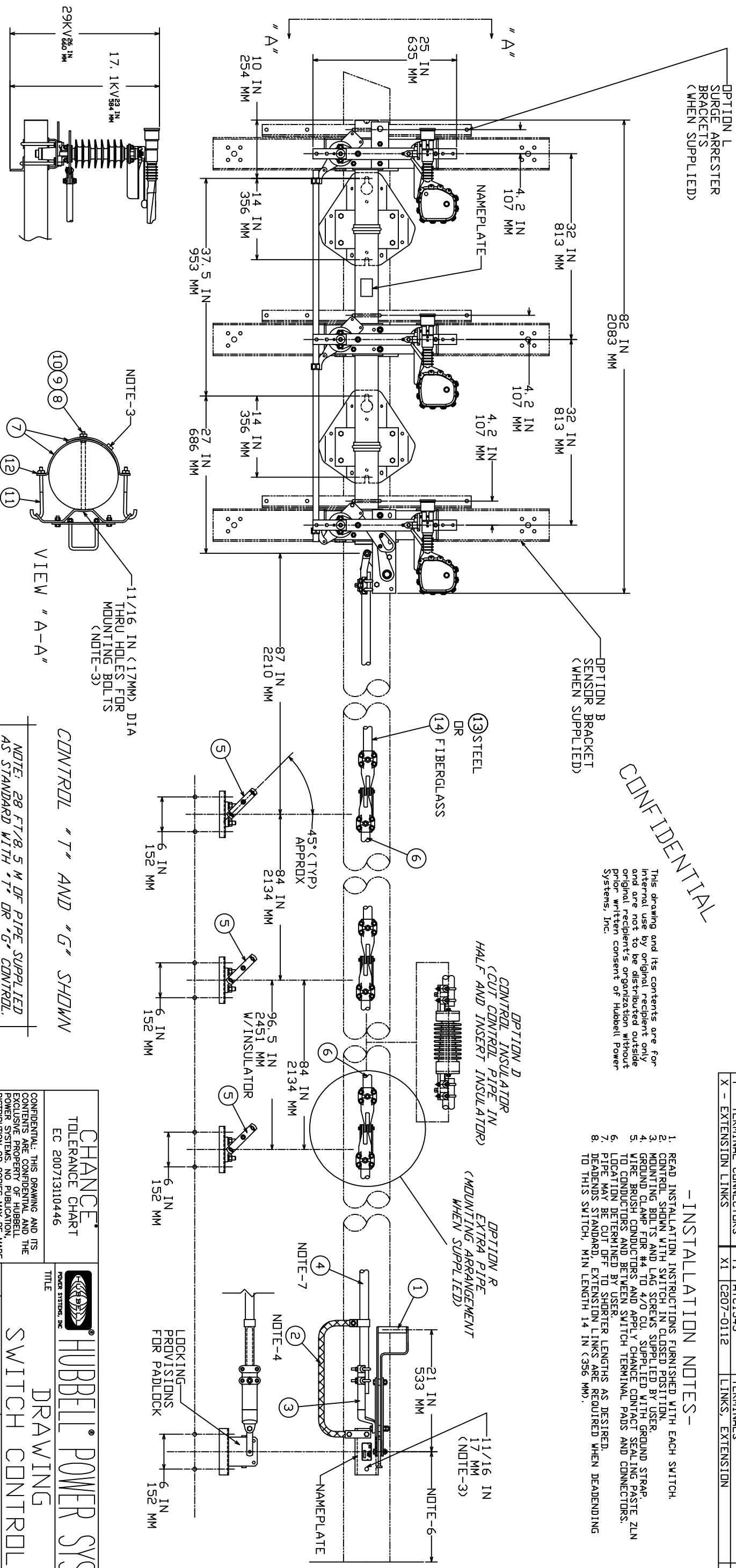
ITEM	PART NUMBER	DESCRIPTION	QUAN
1	E801-1970	HANDLE ASSEMBLY	1
2	091861	STRAP, GROUND ASSEMBLY	1
3	V801-1892	ADAPTER, ROD END ASSEMBLY	1
4	E818-2050	PIPE, LOWER SECTION	1
5	E818-2032	LEVER, STEADY ASSEMBLY	3
6	E818-2051	PIPE, CENTER SECTION	2
7	P816-0721	BAND, POLE	4
8	055869	BOLT, 1/2" X 1-1/2" HEX	2
9	055635	WASHER, 1/2" HEX	2
10	055635	NUT, 1/2" HEX	2
11	E816-0752	BOLT, J-HOOK ASSEMBLY	4
12	055548	WASHER, 1/2" FLAT	4
13	E818-2052	PIPE, TOP SECTION	4
14	E818-2029	TUBE, FIBERGLASS ASSEMBLY	1

ITEM	PART NUMBER	DESCRIPTION	QUAN
B	SENSOR BRACKETS	B1 E818-1621 KIT, SENSOR MOUNTING	1
D	CONTROL INSULATOR	D1 E801-3397 INSULATOR, CONTROL	1
G	TERMINAL CONNECTORS	G1 SWL-025-B TERMINAL, BRZ BOLTED CABLE	6
		G2 P815-0025 BOLT, 1/2" CAPTIVE	12
		G3 055634 NUT, 1/2" HEX	12
		G4 058883 WASHER, 1/2" FLAT	12
H	CAPTIVE HARDWARE	H1 P815-0025 BOLT, 1/2" CAPTIVE	12
		H2 055634 NUT, 1/2" HEX	12
		H3 058883 WASHER, 1/2" FLAT	12
L	SURGE ARRESTER BRACKETS	L1 P801-3468 BRACKET, SA	3
		L2 P816-0658 BOLT, MOUNTING	6
		L3 055548 WASHER, 1/2" FLAT	6
		L4 055371 NUT, 1/2" SPRING LOCK	12
		L5 055635 NUT, 1/2" HEX	12
R	EXTRA PIPE	R1 E818-2032 BOLT, 1/2" X 2" HEX	6
T	TERMINAL CONNECTORS	R2 E818-2051 LEVER, STEADY ASSEMBLY	1
X	EXTENSION LINKS	T1 ATC1343 PIPE, CENTER SECTION	1
		X1 C207-0112 LINKS, EXTENSION	6

CONFIDENTIAL

-INSTALLATION NOTES-

1. READ INSTALLATION INSTRUCTIONS FURNISHED WITH EACH SWITCH.
2. CONTROL SHOWN WITH SWITCH IN CLOSED POSITION.
3. MOUNTING BOLTS AND LAG SCREWS SUPPLIED BY USER.
4. GROUND CLAMP FOR #4 TO 4/0 CU. SUPPLIED WITH GROUND STRAP.
5. WIRE BRUSH CONDUCTORS AND APPLY CHANGE CONTACT SEALING PASTE ZLN TO CONDUCTORS AND BETWEEN SWITCH TERMINAL PADS AND CONNECTORS.
6. LOCATION DETERMINED BY USER.
7. PIPE MAY BE CUT OFF TO SHORTER LENGTHS AS DESIRED.
8. DEADENDS STANDARD. EXTENSION LINKS ARE REQUIRED WHEN DEADENDING TO THIS SWITCH, MIN LENGTH 14 IN (356 MM).



NOTE: 28 FT/8.5 M OF PIPE SUPPLIED AS STANDARD WITH "T" OR "G" CONTROL. FOR ADDITIONAL PIPE SEE OPTION R

HUBBELL POWER SYSTEMS

CONTROL "T" AND "G" SHOWN

NOTE-3: 11/16 IN (17MM) DIA THRU HOLES FOR MOUNTING BOLTS (NOTE-3)

NOTE-4: LOCKING PROVISIONS FOR PADLOCK

NOTE-6: 21 IN (533 MM)

NOTE-7: 11/16 IN (17 MM) (NOTE-3)

NOTE-8: 17 MM (NOTE-3)

NOTE-9: 17 MM (NOTE-3)

NOTE-10: 17 MM (NOTE-3)

NOTE-11: 17 MM (NOTE-3)

NOTE-12: 17 MM (NOTE-3)

NOTE-13: 17 MM (NOTE-3)

NOTE-14: 17 MM (NOTE-3)

NOTE-15: 17 MM (NOTE-3)

NOTE-16: 17 MM (NOTE-3)

NOTE-17: 17 MM (NOTE-3)

NOTE-18: 17 MM (NOTE-3)

NOTE-19: 17 MM (NOTE-3)

NOTE-20: 17 MM (NOTE-3)

NOTE-21: 17 MM (NOTE-3)

NOTE-22: 17 MM (NOTE-3)

NOTE-23: 17 MM (NOTE-3)

NOTE-24: 17 MM (NOTE-3)

NOTE-25: 17 MM (NOTE-3)

NOTE-26: 17 MM (NOTE-3)

NOTE-27: 17 MM (NOTE-3)

NOTE-28: 17 MM (NOTE-3)

NOTE-29: 17 MM (NOTE-3)

NOTE-30: 17 MM (NOTE-3)

NOTE-31: 17 MM (NOTE-3)

NOTE-32: 17 MM (NOTE-3)

NOTE-33: 17 MM (NOTE-3)

NOTE-34: 17 MM (NOTE-3)

NOTE-35: 17 MM (NOTE-3)

NOTE-36: 17 MM (NOTE-3)

NOTE-37: 17 MM (NOTE-3)

NOTE-38: 17 MM (NOTE-3)

NOTE-39: 17 MM (NOTE-3)

NOTE-40: 17 MM (NOTE-3)

NOTE-41: 17 MM (NOTE-3)

NOTE-42: 17 MM (NOTE-3)

NOTE-43: 17 MM (NOTE-3)

NOTE-44: 17 MM (NOTE-3)

NOTE-45: 17 MM (NOTE-3)

NOTE-46: 17 MM (NOTE-3)

NOTE-47: 17 MM (NOTE-3)

NOTE-48: 17 MM (NOTE-3)

NOTE-49: 17 MM (NOTE-3)

NOTE-50: 17 MM (NOTE-3)

NOTE-51: 17 MM (NOTE-3)

NOTE-52: 17 MM (NOTE-3)

NOTE-53: 17 MM (NOTE-3)

NOTE-54: 17 MM (NOTE-3)

NOTE-55: 17 MM (NOTE-3)

NOTE-56: 17 MM (NOTE-3)

NOTE-57: 17 MM (NOTE-3)

NOTE-58: 17 MM (NOTE-3)

NOTE-59: 17 MM (NOTE-3)

NOTE-60: 17 MM (NOTE-3)

NOTE-61: 17 MM (NOTE-3)

NOTE-62: 17 MM (NOTE-3)

NOTE-63: 17 MM (NOTE-3)

NOTE-64: 17 MM (NOTE-3)

NOTE-65: 17 MM (NOTE-3)

NOTE-66: 17 MM (NOTE-3)

NOTE-67: 17 MM (NOTE-3)

NOTE-68: 17 MM (NOTE-3)

NOTE-69: 17 MM (NOTE-3)

NOTE-70: 17 MM (NOTE-3)

NOTE-71: 17 MM (NOTE-3)

NOTE-72: 17 MM (NOTE-3)

NOTE-73: 17 MM (NOTE-3)

NOTE-74: 17 MM (NOTE-3)

NOTE-75: 17 MM (NOTE-3)

NOTE-76: 17 MM (NOTE-3)

NOTE-77: 17 MM (NOTE-3)

NOTE-78: 17 MM (NOTE-3)

NOTE-79: 17 MM (NOTE-3)

NOTE-80: 17 MM (NOTE-3)

NOTE-81: 17 MM (NOTE-3)

NOTE-82: 17 MM (NOTE-3)

NOTE-83: 17 MM (NOTE-3)

NOTE-84: 17 MM (NOTE-3)

NOTE-85: 17 MM (NOTE-3)

NOTE-86: 17 MM (NOTE-3)

NOTE-87: 17 MM (NOTE-3)

NOTE-88: 17 MM (NOTE-3)

NOTE-89: 17 MM (NOTE-3)

NOTE-90: 17 MM (NOTE-3)

NOTE-91: 17 MM (NOTE-3)

NOTE-92: 17 MM (NOTE-3)

NOTE-93: 17 MM (NOTE-3)

NOTE-94: 17 MM (NOTE-3)

NOTE-95: 17 MM (NOTE-3)

NOTE-96: 17 MM (NOTE-3)

NOTE-97: 17 MM (NOTE-3)

NOTE-98: 17 MM (NOTE-3)

NOTE-99: 17 MM (NOTE-3)

NOTE-100: 17 MM (NOTE-3)

CHANGE TOLERANCE CHART
EC 200713110446

HUBBELL POWER SYSTEMS

DRAWING SWITCH CONTROL

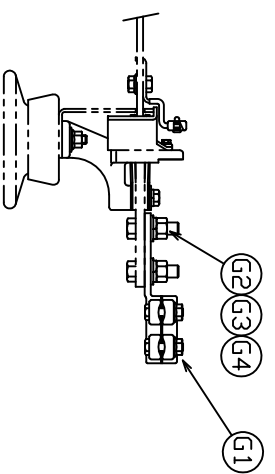
SIZE: D
DWG NO: SAAR13 T&G
CAT / PART / ASSY NO: SEE CHART

DO NOT SCALE THIS DRAWING

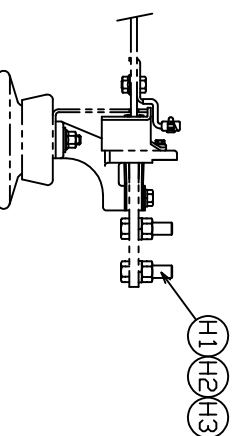
DRN BY: ROBERT [REDACTED] DATE: 01-30-02

SHEET 01 OF 02

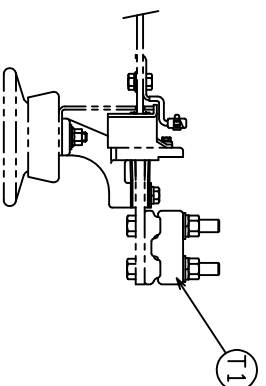
CONFIDENTIAL: THIS DRAWING AND ITS CONTENTS ARE CONFIDENTIAL AND THE EXCLUSIVE PROPERTY OF HUBBELL POWER SYSTEMS. NO REPRODUCTION, DISTRIBUTION, OR DISSEMINATION OF THIS DRAWING OR ITS CONTENTS IS PERMITTED WITHOUT THE WRITTEN CONSENT OF HUBBELL POWER SYSTEMS. UNPUBLISHED ALL RIGHTS RESERVED UNDER THE COPYRIGHT LAWS.



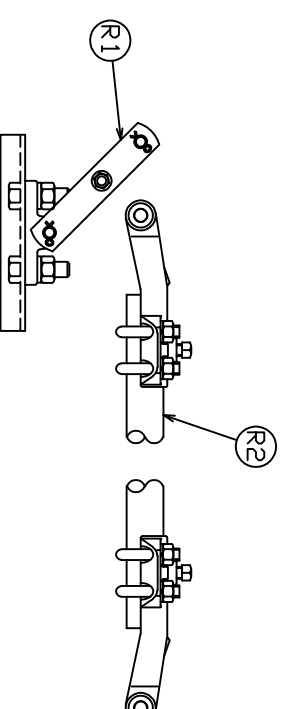
OPTION "G"
 TERMINAL CONNECTOR
 (BRONZE STRAIGHT BOLT TERMINAL
 CABLE TO FLAT TYPE SWL)



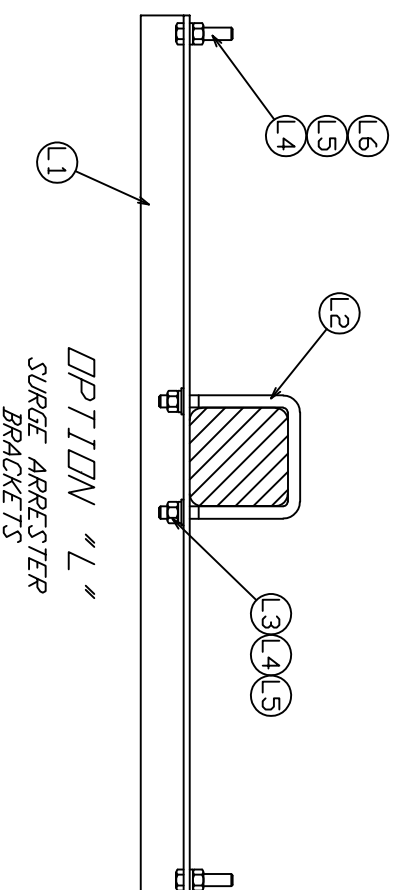
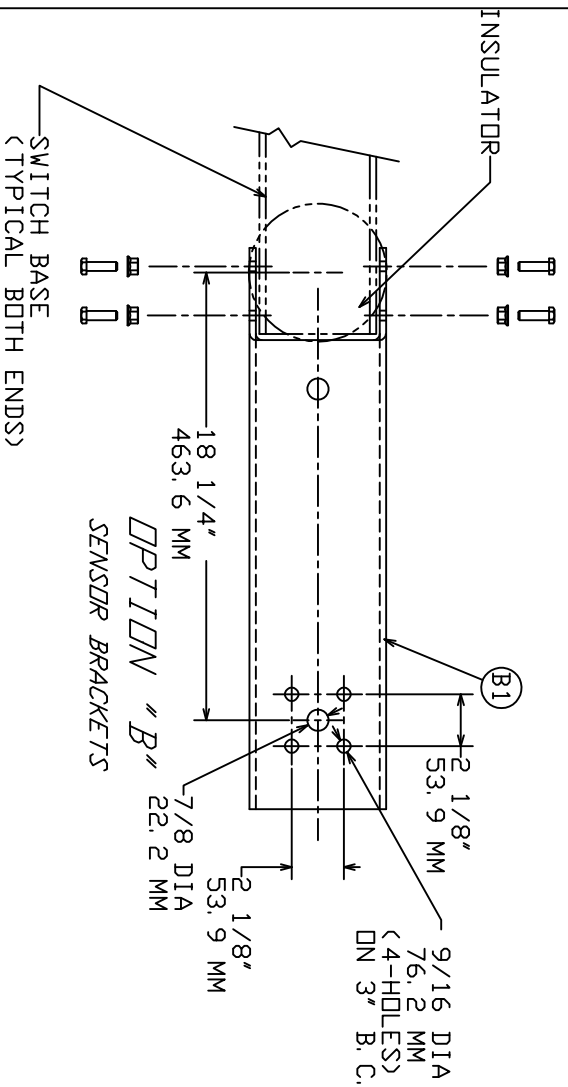
OPTION "H"
 CAPTIVE HARDWARE
 (TYPICAL 6 TERMINAL PADS)



OPTION "T"
 TERMINAL CONNECTOR
 (PARALLEL GROOVE TERMINAL
 ASSEMBLY FOR #2-500 KCMIL)
 (TYPICAL 6 TERMINAL PADS)



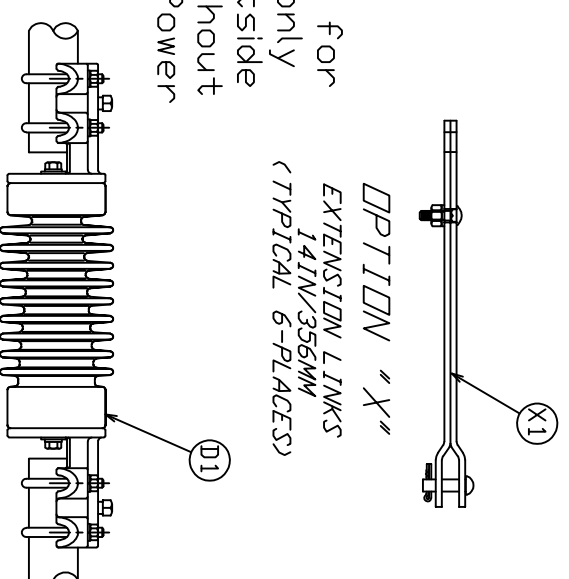
OPTION "R"
 ADDITIONAL 7 FT/2134 MM OF CONTROL
 PIPE ASSEMBLY AND STEADY LEVER



OPTION "L"
 SURGE ARRESTER
 BRACKETS

CONFIDENTIAL

This drawing and its contents are for internal use by original recipient only and are not to be distributed outside original recipient's organization without prior written consent of Hubbell Power Systems, Inc.



OPTION "X"
 EXTENSION LINKS
 1 1/4 IN / 356 MM
 (TYPICAL 6-PLACES)

OPTION "D"
 CONTROL INSULATOR

CHANCE TOLERANCE CHART EC 200713110446		HUBBELL POWER SYSTEMS DRAWING SWITCH CONTROL	
CONFIDENTIAL: THIS DRAWING AND ITS CONTENTS ARE CONFIDENTIAL AND THE EXCLUSIVE PROPERTY OF HUBBELL POWER SYSTEMS. NO REPRODUCTION, DISTRIBUTION, WRITTEN OR ORAL, MADE WITHOUT THE WRITTEN CONSENT OF HUBBELL POWER SYSTEMS. UNPUBLISHED ALL RIGHTS RESERVED UNDER THE COPYRIGHT LAWS.	SIZE D	DWG NO. SAAR13 T&G	CAT / PART / ASSY NO. SEE CHART
DO NOT SCALE THIS DRAWING	DRN BY ROBERT'S	DATE 02-05-02	SHEET 02 OF 02