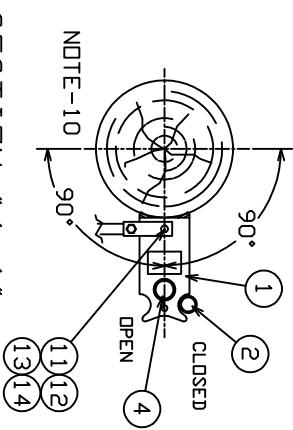
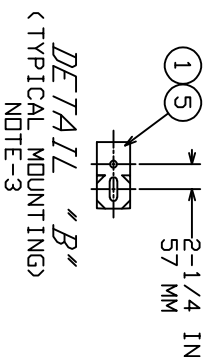


# -INSTALLATION NOTES-

1. READ INSTALLATION INSTRUCTIONS FURNISHED WITH EACH SWITCH.
2. CONTROL SHOWN WITH SWITCH IN CLOSED POSITION.
3. MOUNTING BOLTS AND LAG SCREWS SUPPLIED BY USER.
4. GROUND CLAMP FOR #4 TO 4/0 CU. SUPPLIED WITH GROUND STRAP.
5. WIRE BRUSH CONDUCTORS AND APPLY CHANGE CONTACT SEALING PASTE ZLN TO CONDUCTORS AND BETWEEN SWITCH TERMINAL PADS AND CONNECTORS.
6. LOCATION DETERMINED BY USER.
7. OPERATING SHAFT MAY BE CUT OFF TO SHORTER LENGTHS AS DESIRED.
8. DEADENDS STANDARD. EXTENSION LINKS ARE REQUIRED WHEN DEADENDING TO THIS SWITCH, MIN LENGTH 14 IN (356 MM).
9. REFER TO SHEET TWO FOR HOOKSTICK APPLICATION AND OPTION ITEMS.
10. CONTROL MAY BE 90° AROUND POLE FROM SWITCH MOUNTING.



SECTION "A-A"



DETAIL "B"  
(TYPICAL MOUNTING)  
NOTE-3

## POSITION 3 CONTROL

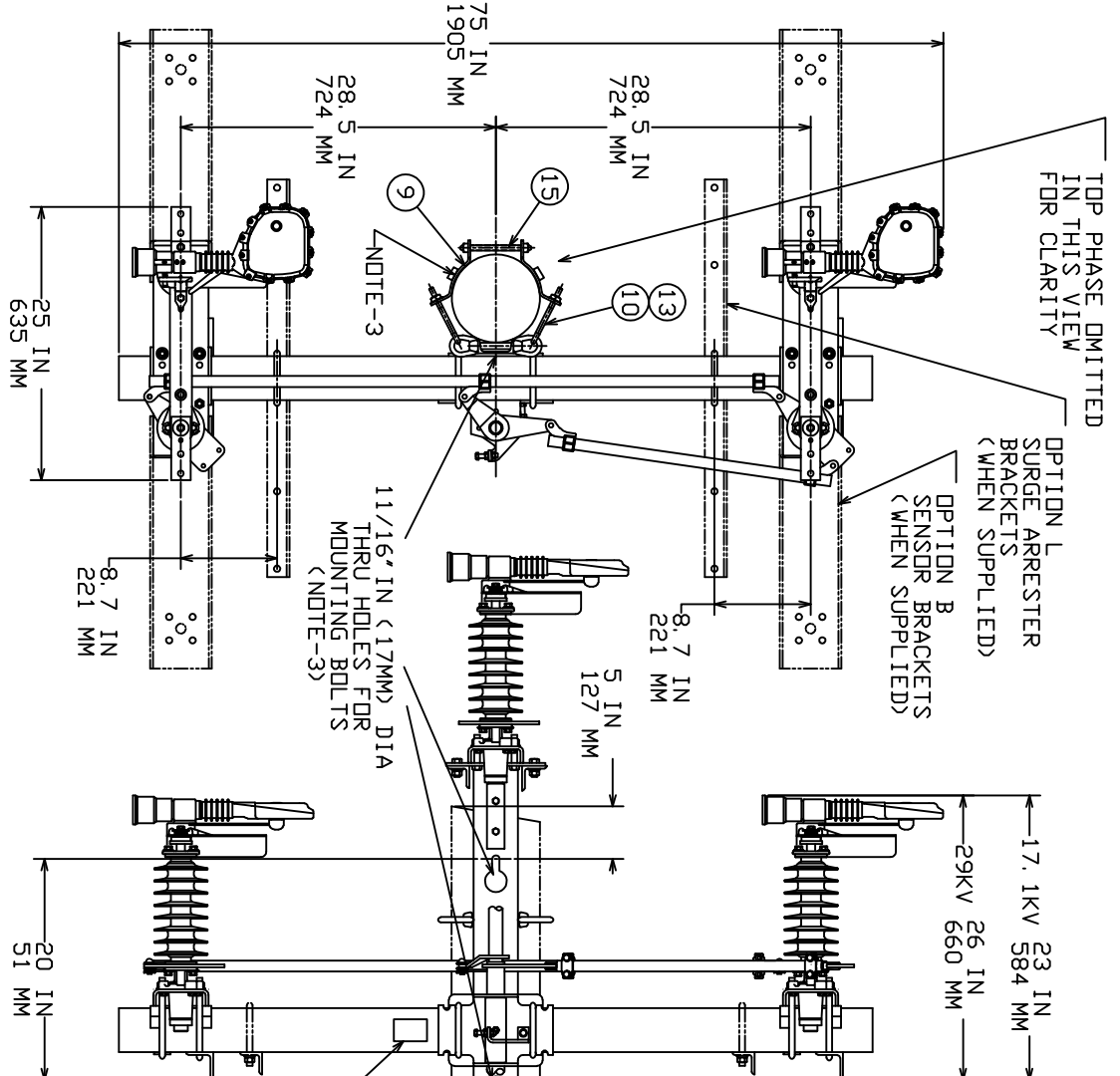
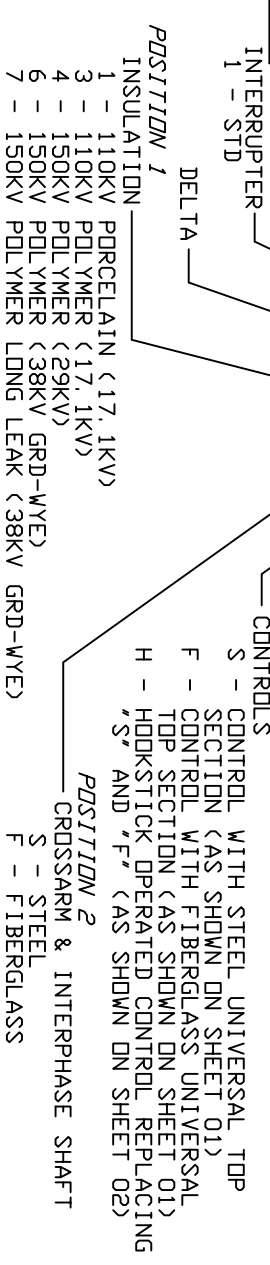
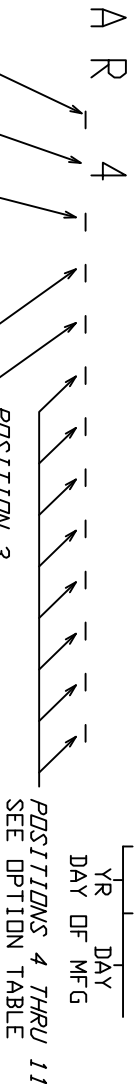
ITEM	PART NUMBER	DESCRIPTION	QUAN
1	P818-2002	BRACKET, HANDLE	2
2	E818-2007	HANDLE, ASSEMBLY	1
3	091697	STRAP, GROUND ASSEMBLY	1
4	P816-0122	PIPE	3
5	E818-2008	GUIDE, ASSEMBLY	2
6	P816-0006	COUPLING	2
7	P001-1907	BOLT, RIBBED NECK, RD HD	7
8	P001-1570	LOCKNUT, 3/8" HEX	7
9	CE03-0187	BAND, POLE SEGMENT	2
10	E816-0752	BOLT, J-HOOK ASSEMBLY	2
11	055635	NUT, 1/2" HEX	1
12	055869	WASHER, 1/2" X 1-1/2" HEX	1
13	055548	WASHER, 1/2" FLAT	3
14	055371	WASHER, 1/2" LOCK	1
15	CE05-0141	BOLT, 3/4" X 8" DBL ARM	1
16	P818-2041	COUPLING	1
17	E818-2042	CONTROL, STEEL UNIVERSAL	1
18	E818-2043	CONTROL, FIB UNIVERSAL	1
19	E818-1606	LEVER, ASSEMBLY	1
20	055575	BOLT, 3/8" X 2"	2
21	P001-0749	NUT, FLANGED 3/8"	4
22	055584	WASHER, 3/8" FLAT	7
23	P001-1560	PIN	2
24	055902	COTTER PIN	2
25	P818-1601	ROD, DELTA	1
26	P818-1620	BEARING	1
27	CE03-0187	BAND, POLE SEGMENT	1
28	E816-0752	BOLT, J-HOOK ASSEMBLY	2
29	055548	WASHER, 1/2" FLAT	2
30	CE05-0141	BOLT, 3/4" X 8" DBL ARM	1
31	P818-1622	BRACKET	1
32	P001-1969	BOLT, 3/8" X 4-1/2" HEX	1
33	P001-1424	FLANGED LOCK NUT, 3/8" HEX	1
34	P001-1607	NUT, 3/8" ACORN	1
35	PSP8181701	ROLLER	1
36	056497	BOLT, 3/8" X 1, HEX	2
37	PSP8181700	SPRING LATCH	1

## POSITIONS 4 THRU 11 OPTIONS

ITEM	PART NUMBER	DESCRIPTION	QUAN
B	E818-1621	KIT, SENSOR MOUNTING	1
C	E801-3397	INSULATOR, CONTROL	1
H	P815-0025	BOLT, 1/2" CAPTIVE	12
H1	055634	NUT, 1/2" HEX	12
H2	058883	WASHER, 1/2" FLAT	12
L	P801-3468	BRACKET, SA	3
L1	P816-0658	BOLT, MOUNTING	2
L2	055548	WASHER, 1/2" FLAT	6
L3	055371	WASHER, 1/2" SPRING LOCK	12
L4	055635	NUT, 1/2" HEX	12
L5	055635	BOLT, 1/2" X 2" HEX	6
L6	055545	BOLT, 1/2" X 1-1/4" HEX	6
L7	056486	BOLT, 1/2" X 1-1/4" HEX	2
P	P816-0122	PIPE	1
P1	E818-2008	GUIDE, ASSEMBLY	1
P2	P816-0006	COUPLING	1
P3	P001-1907	BOLT, RIBBED NECK, RD HD	2
P4	P001-1570	LOCKNUT, 3/8" HEX	2
P5	P001-1570	LOCKNUT, 3/8" HEX	2
T	ATC1343	TERMINALS	6
X	CE207-0112	LINKS, EXTENSION	6
X1	SWL-025-B	TERMINAL, BRZ BOLTED CABLE	6
G1	P815-0025	BOLT, 1/2" CAPTIVE	12
G2	P815-0025	BOLT, 1/2" CAPTIVE	12
G3	055634	NUT, 1/2" HEX	12
G4	058883	WASHER, 1/2" FLAT	12

OPTIONS 'C' & 'P' DO NOT APPLY WHEN HOOKSTICK OPERATED CONTROL SUPPLIED

## CATALOG NUMBER



## CONTROL "S" AND "F" SHOWN

NOTE: 28 FT/8.5 M DR PIPE SUPPLIED AS STANDARD WITH "S" DR "F" CONTROL. FOR ADDITIONAL PIPE SEE OPTION P.

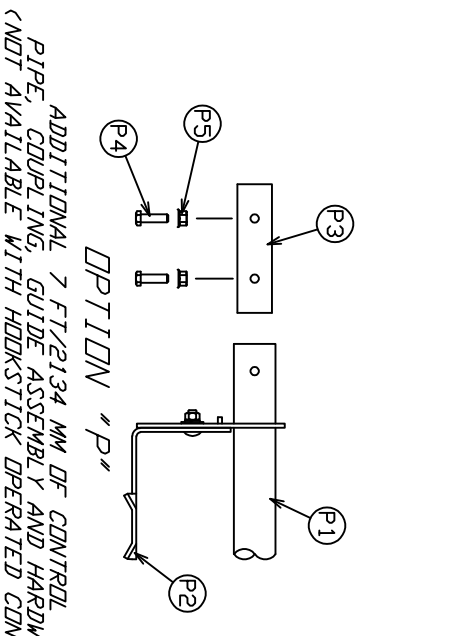
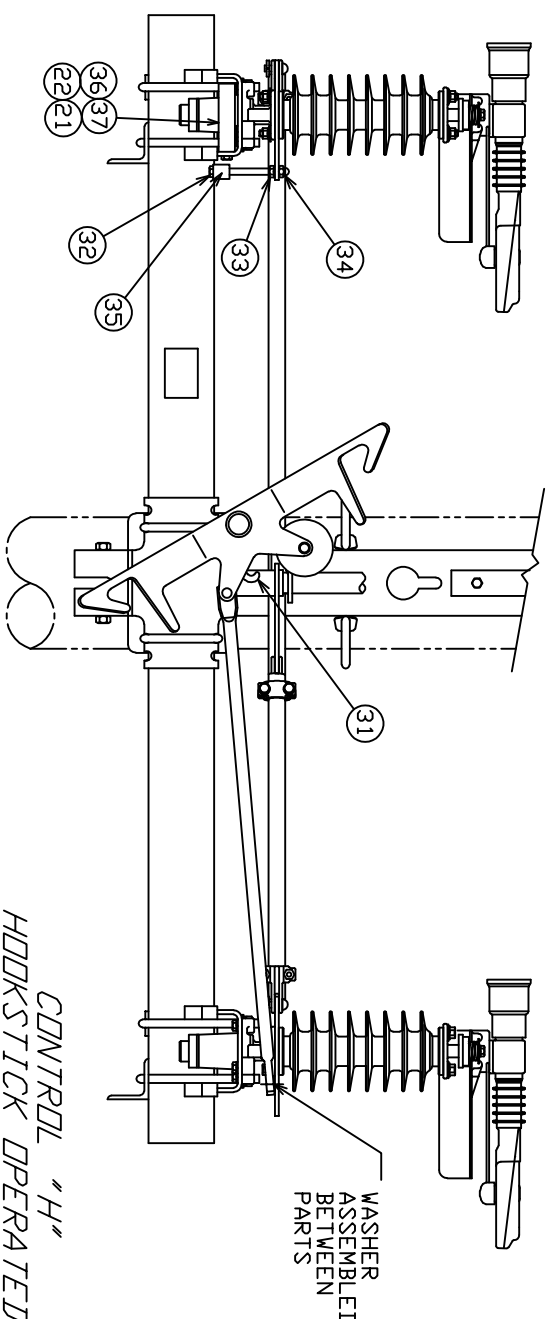
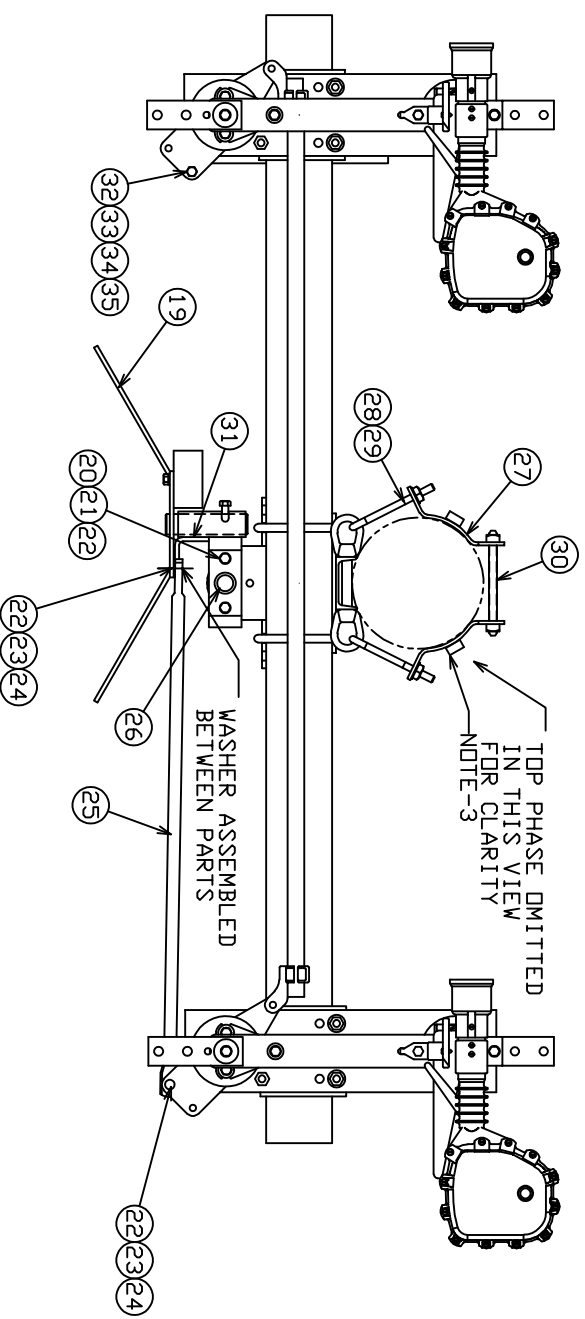
CONFIDENTIAL

This drawing and its contents are for internal use by original recipients only and are not to be distributed outside original recipient's organization without the written consent of Hubbell Power Systems, Inc.

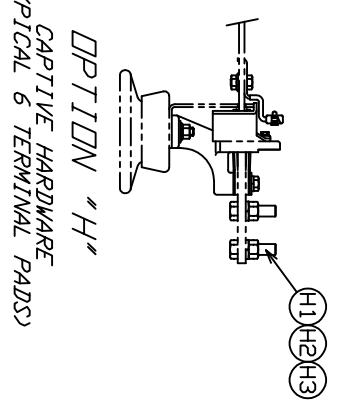
CHANGE TOLERANCE CHART  
EC200713110446

HUBBELL POWER SYSTEMS  
DRAWING, SWITCH CONTROL

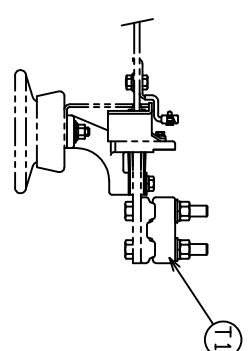
DATE: 1/23/03  
DRN: RB/RB/RJ  
SHEET: 01 OF 02



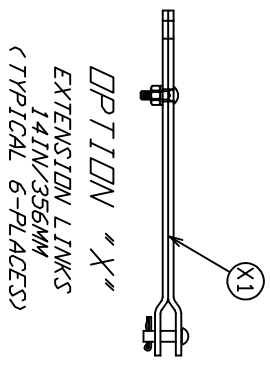
ADDITIONAL 7 FT/2134 MM OF CONTROL PIPE COUPLING, GUIDE ASSEMBLY AND HARDWARE (NOT AVAILABLE WITH HOOKSTICK OPERATED CONTROL)



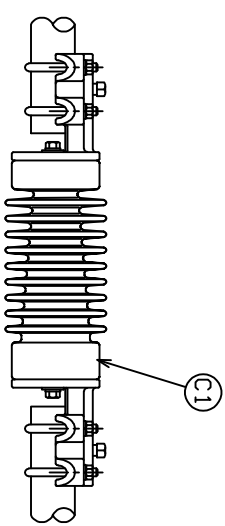
OPTION "G"  
TERMINAL CONNECTOR  
(BRONZE STRAIGHT BOLT TERMINAL CABLE TO FLAT TYPE SWL)



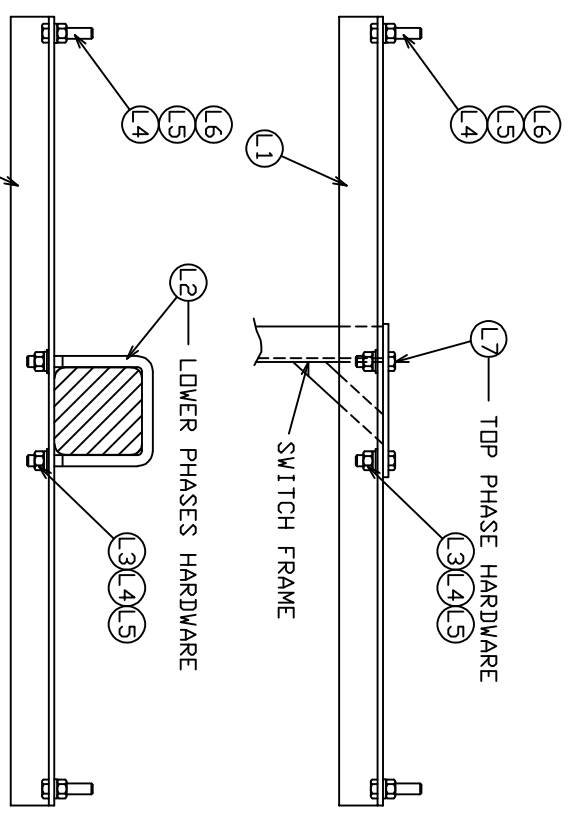
OPTION "T"  
TERMINAL CONNECTOR  
(PARALLEL GROOVE TERMINAL ASSEMBLY FOR #2-500 KCMIL)  
(TYPICAL 6 TERMINAL PADS)



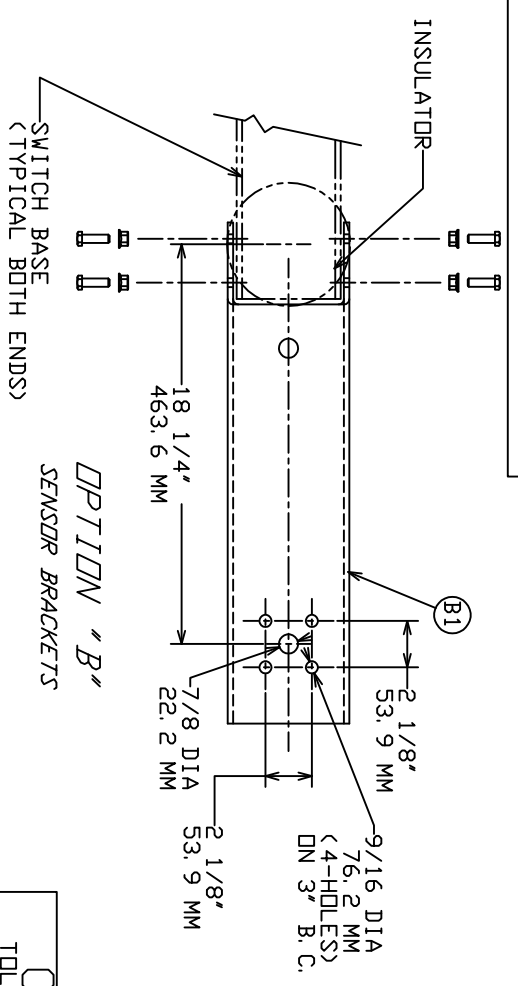
OPTION "X"  
EXTENSION LINKS  
14IN/356MM  
(TYPICAL 6-PLACES)



OPTION "C"  
CONTROL INSULATOR  
(NOT AVAILABLE WITH HOOKSTICK OPERATED CONTROL)



OPTION "L"  
SURGE ARRESTER BRACKETS



OPTION "B"  
SENSOR BRACKETS

CONFIDENTIAL

This drawing and its contents are for internal use by original recipient only and are not to be distributed outside original recipient's organization without prior written consent of Hubbell Power Systems, Inc.

CHANCE TOLERANCE CHART  
EC 200713110446

		<b>HUBBELL POWER SYSTEMS</b> DRAWING, SWITCH CONTROL	
SIZE	DWG NO.	CAT / PART / ASSY NO.	REV
D	SAAR14	SEE CHART	L
DO NOT SCALE THIS DRAWING	DRN BY ROBERTS	DATE 1/23/03	SHEET 02 OF 02