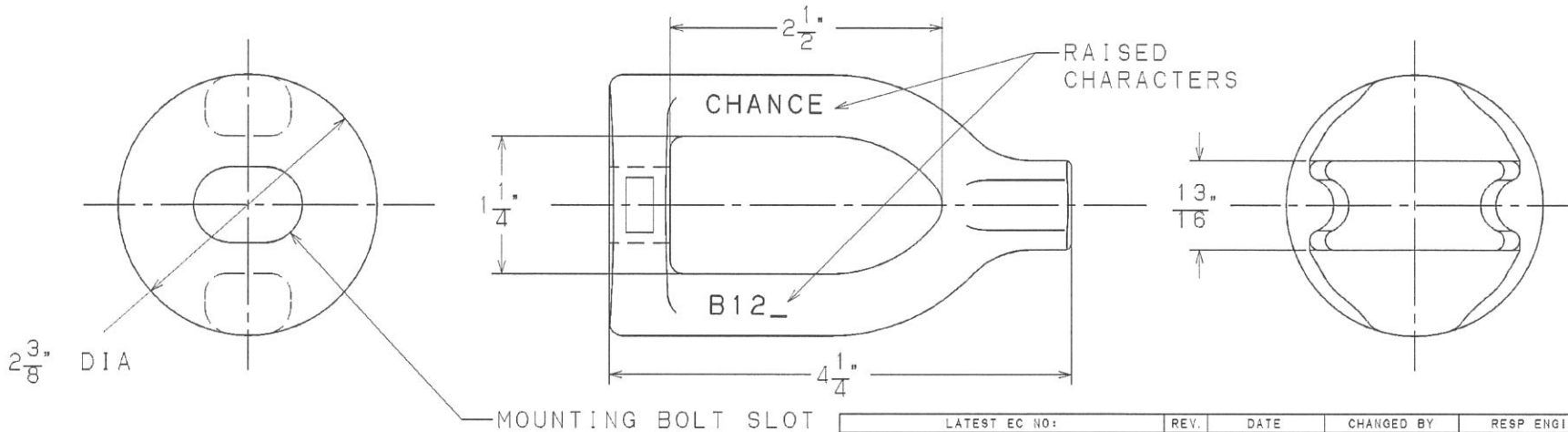
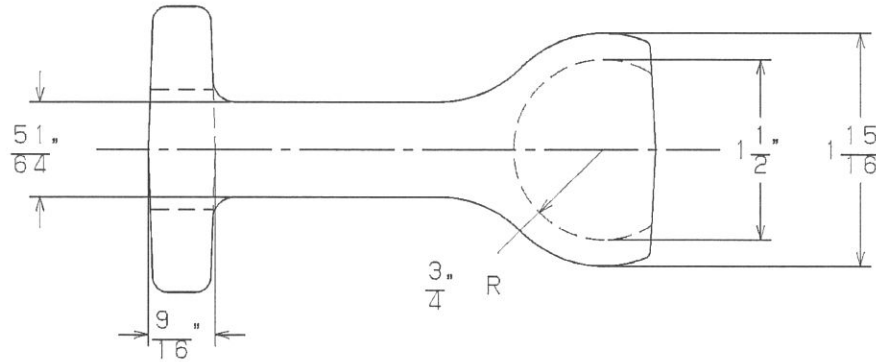


=NOTES=

1. DUCTILE IRON, HOT DIP GALVANIZED  
PER ASTM A153.



CATALOG NO.	BOLT DIA	MOUNTING BOLT SLOT
B12A	5/8"	1" X 11/16"
B12B	3/4"	1-1/8" X 13/16"

LATEST EC NO:	REV.	DATE	CHANGED BY	RESP ENGINEER
92040201	D	04-07-92	SCRIVNER	ODOM
DRN BY: DATE			TITLE:	
SCRIVNER 01-18-92			THIMBLE EYELET	
HUBBELL® POWER SYSTEMS			CHANCE®	
CAE CAD CAM			DWG NO: SAB12	

CONFIDENTIAL: THIS DRAWING AND ITS CONTENTS ARE CONFIDENTIAL AND THE EXCLUSIVE PROPERTY OF HUBBELL / A. B. CHANCE COMPANY. NO PUBLICATION, DISTRIBUTION OR COPIES MAY BE MADE WITHOUT WRITTEN CONSENT BY HUBBELL / A. B. CHANCE COMPANY. © 2000 HUBBELL/A. B. CHANCE. UNPUBLISHED - ALL RIGHTS RESERVED UNDER THE COPYRIGHT LAWS