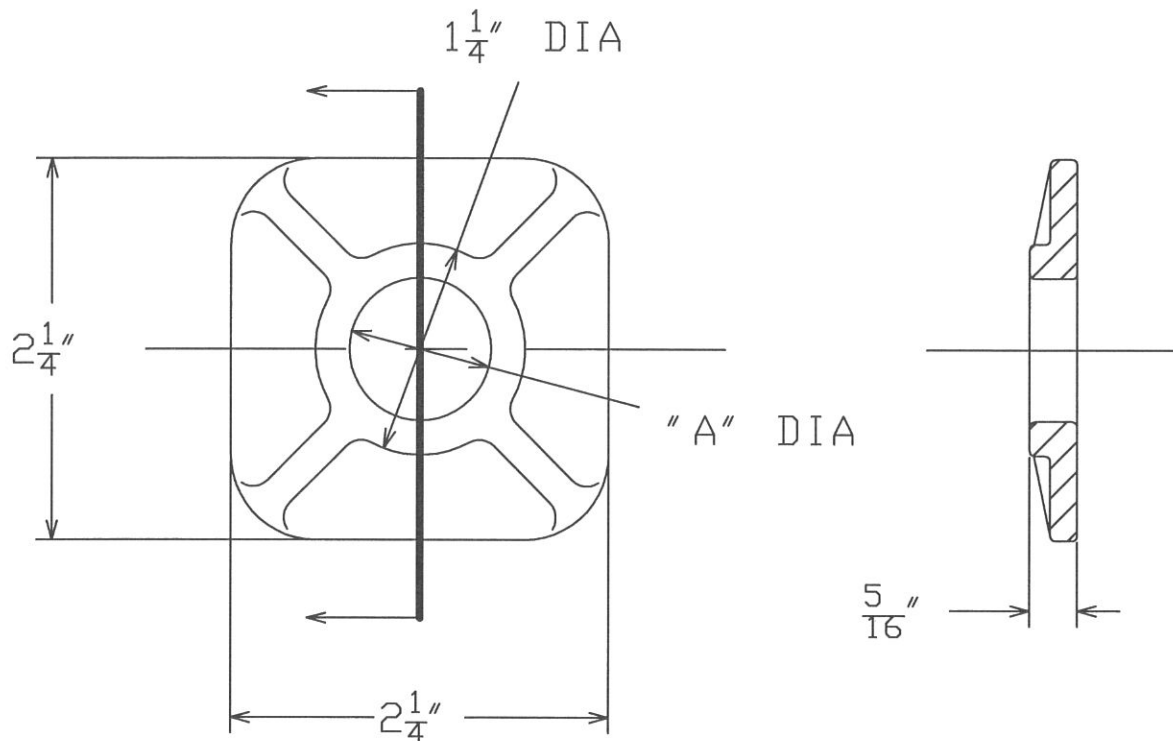



=NOTES=

1. MATERIAL: DUCTILE IRON PER ASTM A536.
2. HOT DIP GALVANIZED PER ASTM A153.



CAT. NO.	"A" DIM
BB214	$\frac{11}{16}$ "
BB214A	$\frac{13}{16}$ "

CHANCE TOLERANCE CHART		 HUBBELL POWER SYSTEMS		
CONFIDENTIAL: THIS DRAWING AND ITS CONTENTS ARE CONFIDENTIAL AND THE EXCLUSIVE PROPERTY OF HUBBELL POWER SYSTEMS. NO PUBLICATION, DISTRIBUTION OR COPIES MAY BE MADE WITHOUT THE WRITTEN CONSENT OF HUBBELL POWER SYSTEMS. UNPUBLISHED ALL RIGHTS RESERVED UNDER THE COPYRIGHT LAWS.		TITLE STRAIN WASHER, FS		
		SIZE SB SABB214	CAT / PART / ASSY NO. SEE CHART	
DO NOT SCALE THIS DRAWING		DRN BY SCRIV	DATE 08-25-92	SHEET --