

DIMENSIONS TYPICAL BOTH ENDS

VIEW "A-A"

NET WEIGHT (LBS)				CRATE SIZE (INCHES)		
RATING	SWITCH	CRATE	OPTION B	LENGTH	WIDTH	HEIGHT
17.1 kV	75	50	19	29	18	38
29 kV	80					
38 kV						

CATALOG NUMBERING SYSTEM

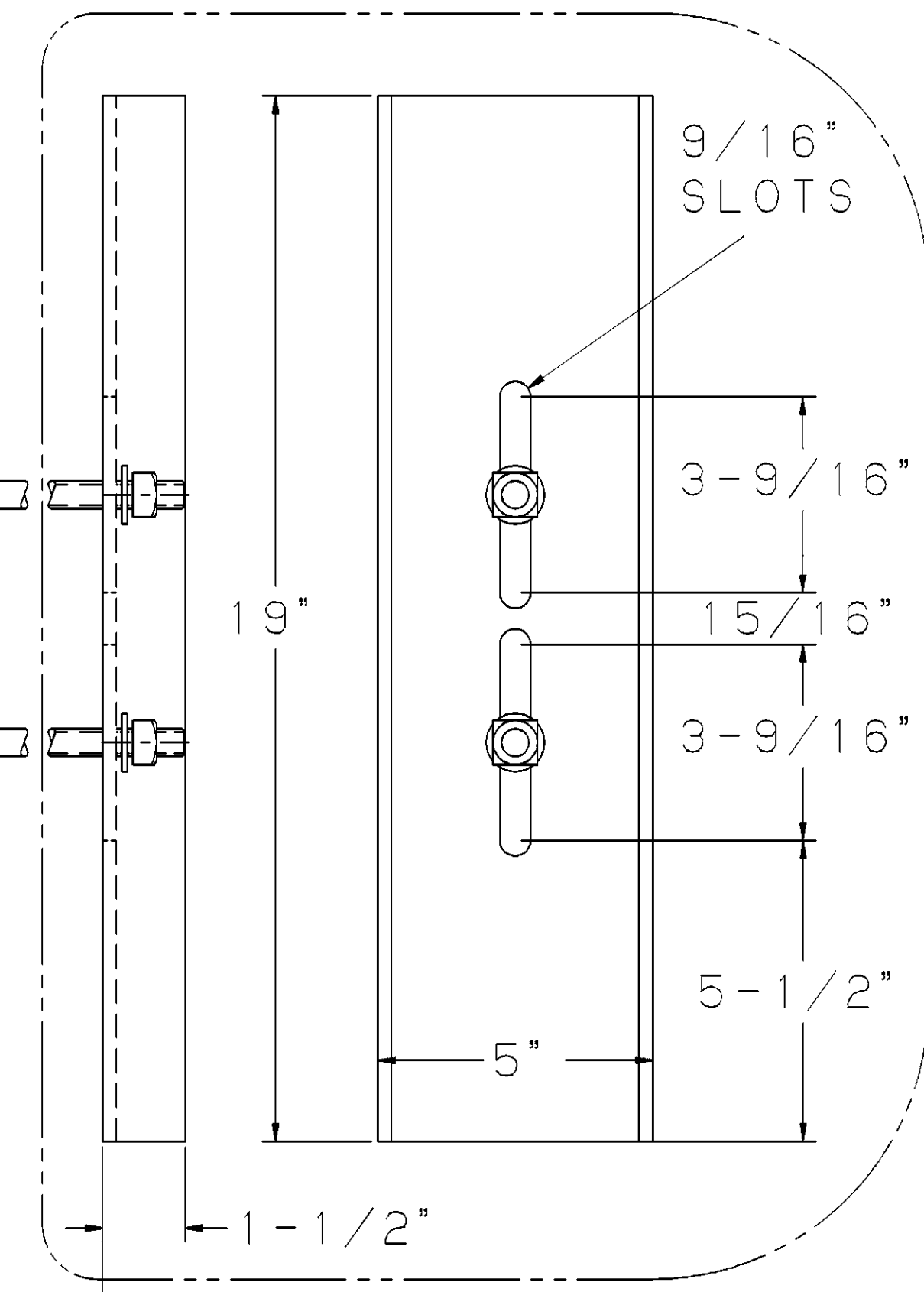
BPRD□□□□ BY-PASS SWITCH, REGULATOR (DISTRIBUTION CLASS)

CONTACT ASSY: 06 - 600 AMP, 12 - 1200 AMP

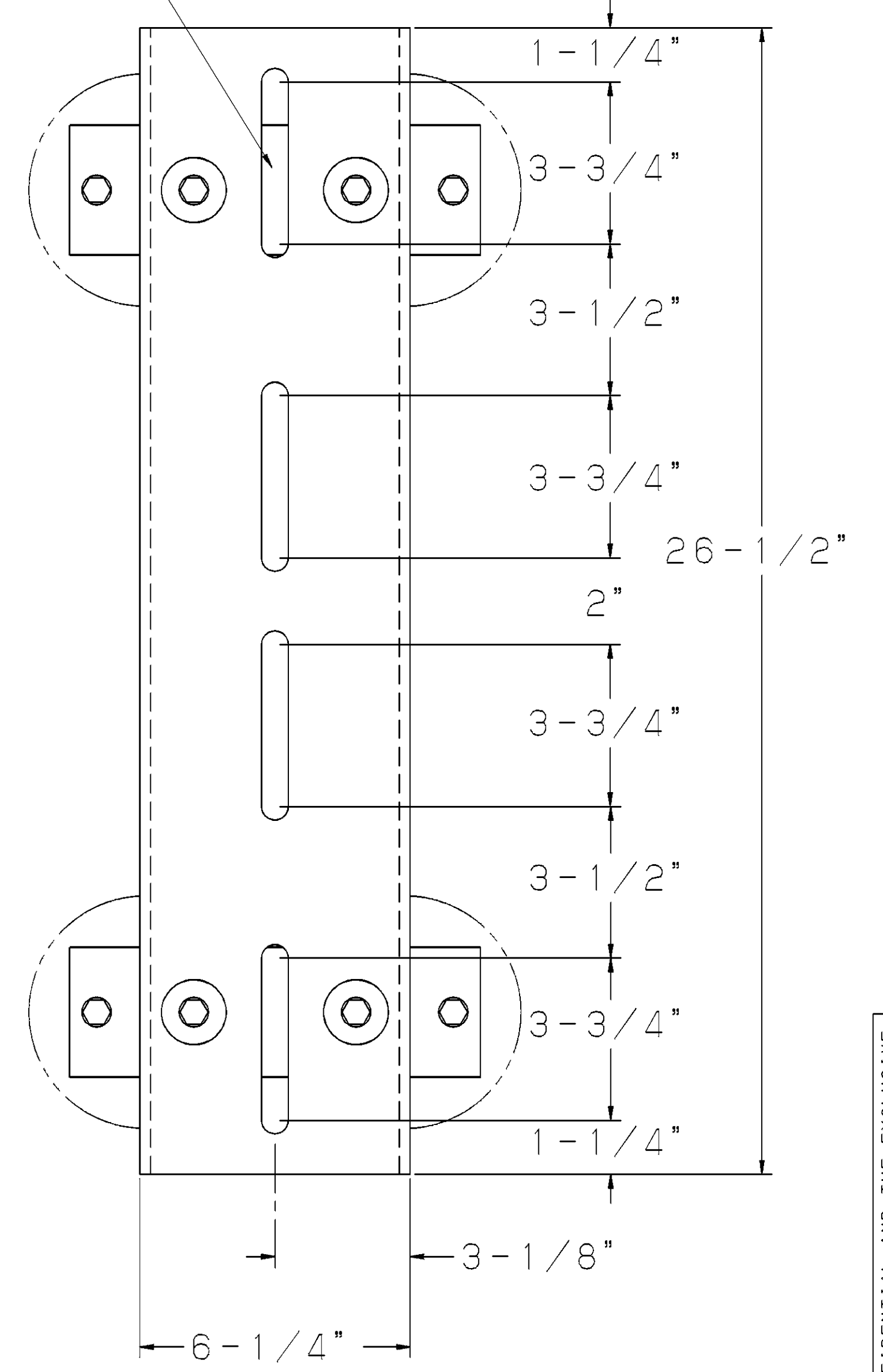
INSULATION: 1 - 17.1 kV (110 kV BIL), 2 - 29 kV (150 kV BIL), 3 - 38 kV (150 kV BIL)

OPTIONS: B - MOUNTING, BACK STRAP

4) SLOTS FOR 5/8" DIA MAX 1/2" DIA MIN MOUNTING BOLTS



BACK STRAP DETAIL



SWITCH BASE DETAIL

LATEST EC NO: 12606	REV. A	DATE 02-22-05	CHANGED BY ROBERTS	RESP ENGINEER ROBERTS
DRN BY: ROBERTS	DATE 11-30-04	TITLE: REGULATOR BY-PASS SW	SIZE D	

HUBBELL POWER SYSTEMS CHANCE CAD/CAM SA-BPRD

CONFIDENTIAL: THIS DRAWING AND ITS CONTENTS ARE CONFIDENTIAL AND THE EXCLUSIVE PROPERTY OF HUBBELL / A. B. CHANCE COMPANY. NO PUBLICATION, DISTRIBUTION OR REPRODUCTION IS PERMITTED WITHOUT THE WRITTEN CONSENT OF HUBBELL / A. B. CHANCE COMPANY. © 2002 HUBBELL / A. B. CHANCE. UNPUBLISHED - ALL RIGHTS RESERVED UNDER THE COPYRIGHT LAWS