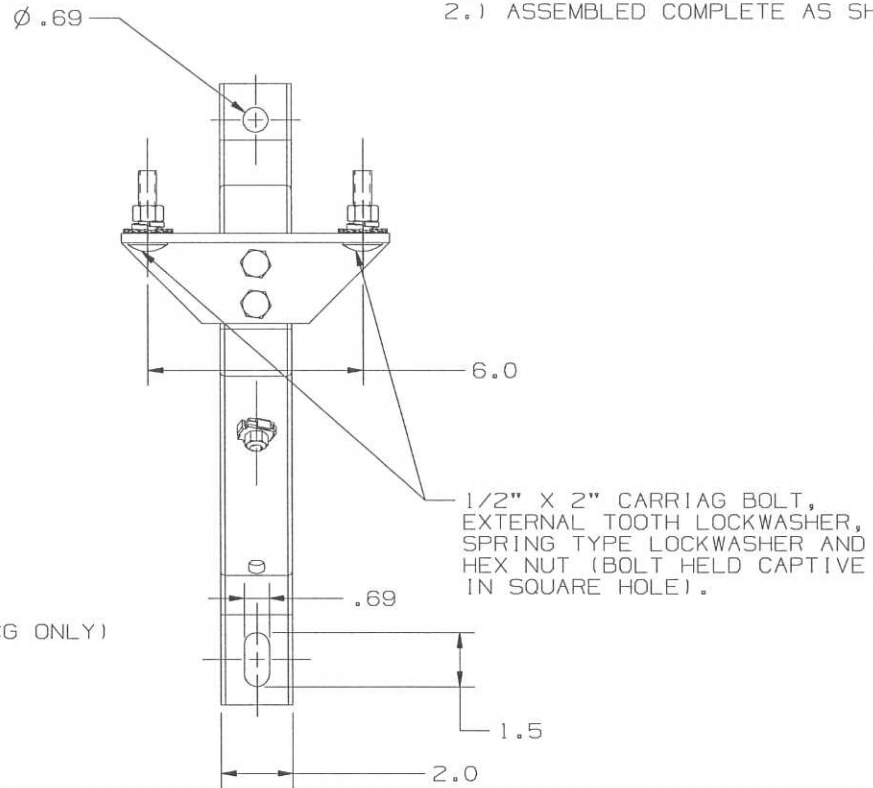


CATALOG NUMBER
C1HCA
C1HCAWCG

NOTES:

- 1.) MATERIAL: ALUMINUM
- 2.) ASSEMBLED COMPLETE AS SHOWN.



LATEST EC NO:	REV.	DATE	CHANGED BY	RESP ENGINEER
---	-	-----	---	---
			DO NOT SCALE THIS DWG	THIRD ANGLE PROJECTION
			ISO DUAL DIMENSIONS IN-INCH, MM-MILLIMETER	
DRN BY:	DATE	TITLE:		SIZE
JUL	08-17-11	SINGLE PHASE APPARATUS BRACKET		B



DWG NO:
SAC1HCA

CONFIDENTIAL: THIS DRAWING AND ITS CONTENTS ARE CONFIDENTIAL AND THE EXCLUSIVE PROPERTY OF HUBBELL / A.B. CHANGE COMPANY. NO PUBLICATION, DISTRIBUTION OR COPIES MAY BE MADE WITHOUT WRITTEN CONSENT BY HUBBELL / A.B. CHANGE COMPANY. © 2001 HUBBELL/A.B. CHANGE. UNPUBLISHED - ALL RIGHTS RESERVED UNDER THE COPYRIGHT LAWS