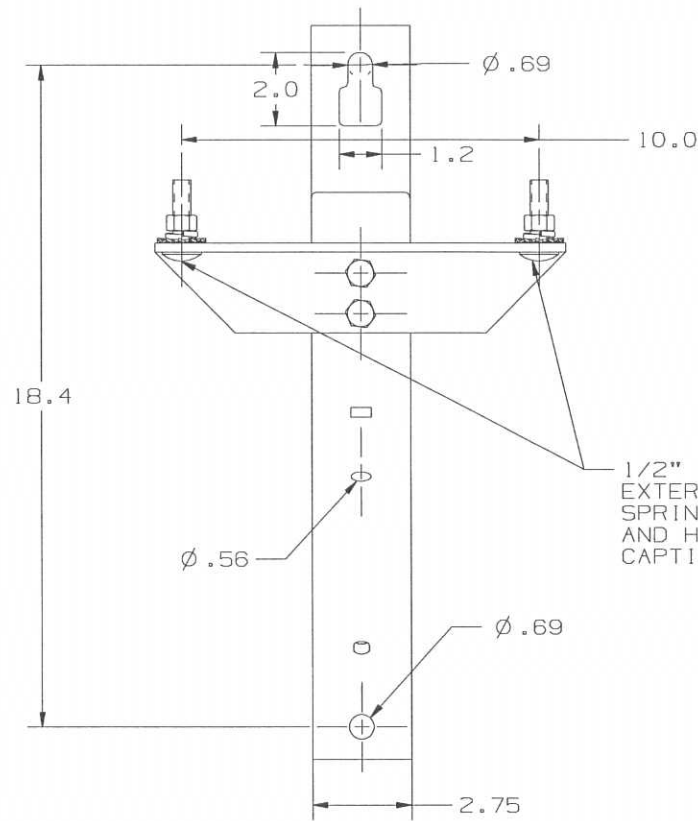


CATALOG NUMBER: C1HCA18

NOTES:

- 1.) MATERIAL: ALUMINUM.
- 2.) ASSEMBLED COMPLETE AS SHOWN.



1/2" X 2" CARRIAGE BOLTS,
EXTERNAL TOOTH LOCKWASHER,
SPRING TYPE LOCKWASHER,
AND HEX NUT (BOLT HELD
CAPTIVE IN SQUARE HOLE).

LATEST EC NO:		REV.	DATE	CHANGED BY	RESP ENGINEER
---		-	-----	---	---
				DO NOT SCALE THIS DWG	THIRD ANGLE PROJECTION
				ISO DUAL DIMENSIONS IN=INCH, MM=MILLIMETER	
DRN BY:	DATE	TITLE:			SIZE
JUL	08-17-11	SINGLE PHASE APPARATUS BRACKET			B
		DWG NO:		SAC1HCA-18	

CONFIDENTIAL: THIS DRAWING AND ITS CONTENTS ARE CONFIDENTIAL AND THE EXCLUSIVE PROPERTY OF HUBBELL / A.B. CHANCE COMPANY. NO PUBLICATION, DISTRIBUTION OR COPIES MAY BE MADE WITHOUT WRITTEN CONSENT BY HUBBELL / A.B. CHANCE COMPANY. © 2001 HUBBELL/A.B. CHANCE. UNPUBLISHED - ALL RIGHTS RESERVED UNDER THE COPYRIGHT LAWS