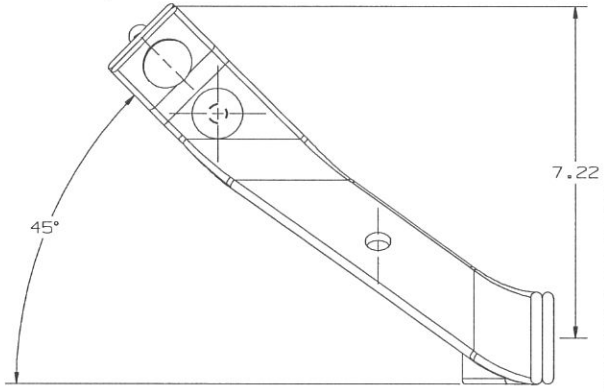


-NOTES-  
1. MATERIAL: 6061-T6 ALUMINUM



CATALOG NUMBER: C1PB

LATEST EC NO:		REV.	DATE	CHANGED BY	RESP ENGINEER
-----		-	-----	-----	-----
DO NOT SCALE THIS DWG					THIRD ANGLE PROJECTION
ISO DUAL DIMENSIONS					IN-INCH, MM-MILLIMETER
DRN BY:	DATE	TITLE:			SIZE
BERGER	09-05-12	TERMINATOR ARRESTER BRACKET			C
		DWG NO:		SAC1PB	

CONFIDENTIAL: THIS DRAWING AND ITS CONTENTS ARE CONFIDENTIAL AND THE EXCLUSIVE PROPERTY OF HUBBELL POWER SYSTEMS, INC. NO PUBLICATION, DISTRIBUTION OR COPIES MAY BE MADE WITHOUT WRITTEN CONSENT BY HUBBELL POWER SYSTEMS, INC. © 2012 HUBBELL POWER SYSTEMS. UNPUBLISHED. ALL RIGHTS RESERVED UNDER THE COPYRIGHT LAWS