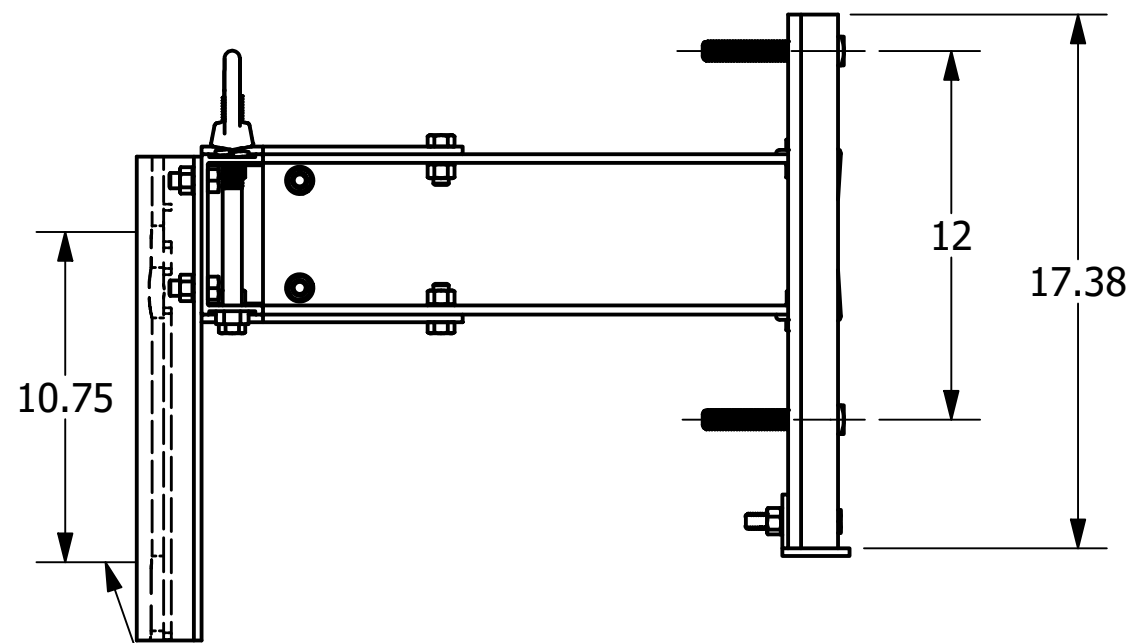
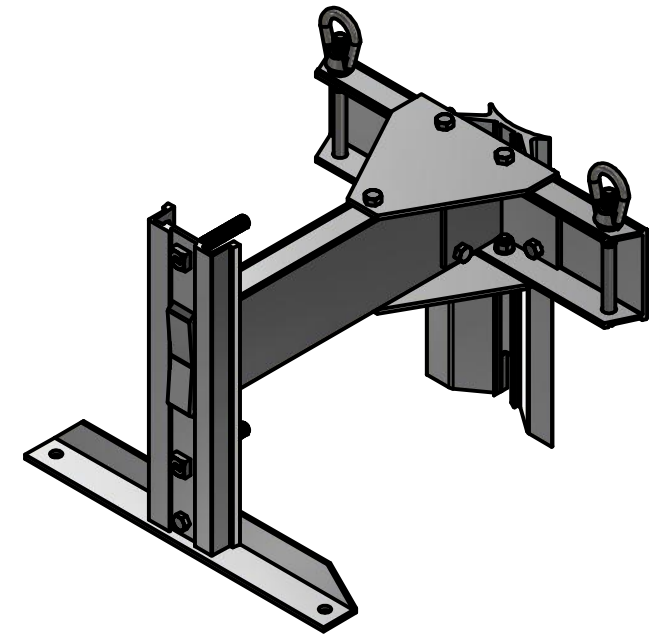
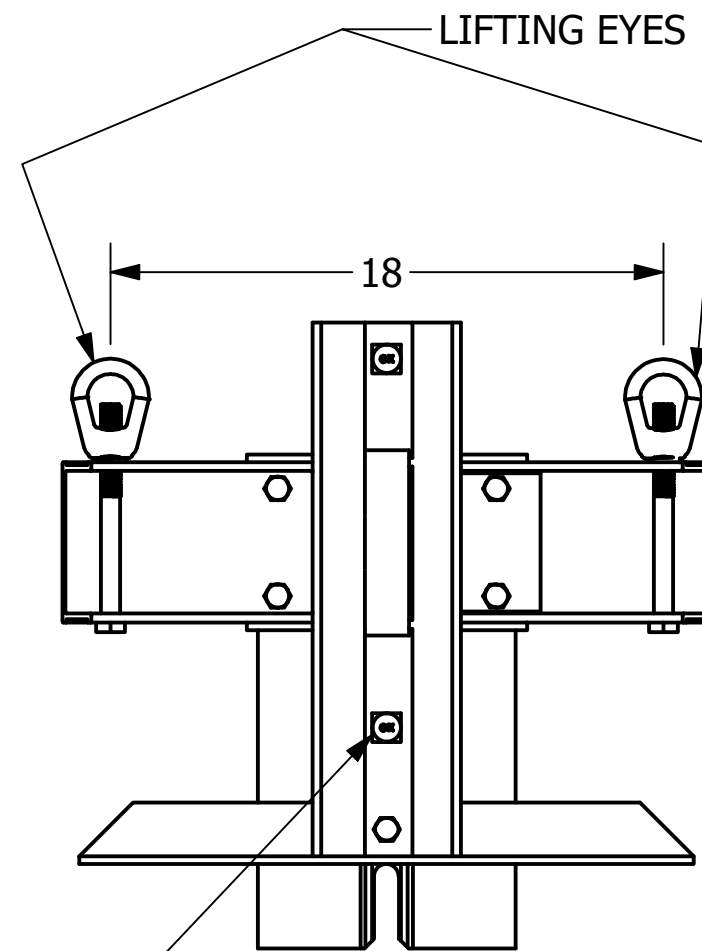


- NOTES -
1. MATERIAL: ALUMINUM. 6062-T6 (RACK BODY)
GALVANIZED STEEL (HARDWARE)
 2. ASSEMBLED COMPLETE AS SHOWN.



MOUNTING HOLES TO ACCOMMODATE 5/8" OR 3/4" MACHINE BOLTS

5/8" X 4" SQUARE HEAD MACHINE BOLT, SPLIT LOCKWASHER, AND HEX NUT (2 PLACES)



CATALOG NUMBER C1SPR3418VT

CHANCE [®]		HUBBELL [®] HUBBELL POWER SYSTEMS, INC. POWER SYSTEMS, INC.	
CONFIDENTIAL: THIS DRAWING AND ITS CONTENTS ARE CONFIDENTIAL AND THE EXCLUSIVE PROPERTY OF HUBBELL POWER SYSTEMS. NO PUBLICATION, DISTRIBUTION, OR COPIES MAY BE MADE WITHOUT THE WRITTEN CONSENT OF HUBBELL POWER SYSTEMS. HUBBELL POWER SYSTEMS UNPUBLISHED ALL RIGHTS RESERVED UNDER THE COPYRIGHT LAWS.			
TITLE VERSA-TECH RECLOSER MOUNT			
SIZE B	CAT / PART / ASSY NO. C1SPR3418VT	DWG NO. SAC1SPR3418VT	REV A
DO NOT SCALE THIS DRAWING	DRN BY TOLIVER	DATE 10/19/21	SHEET 1 OF 1