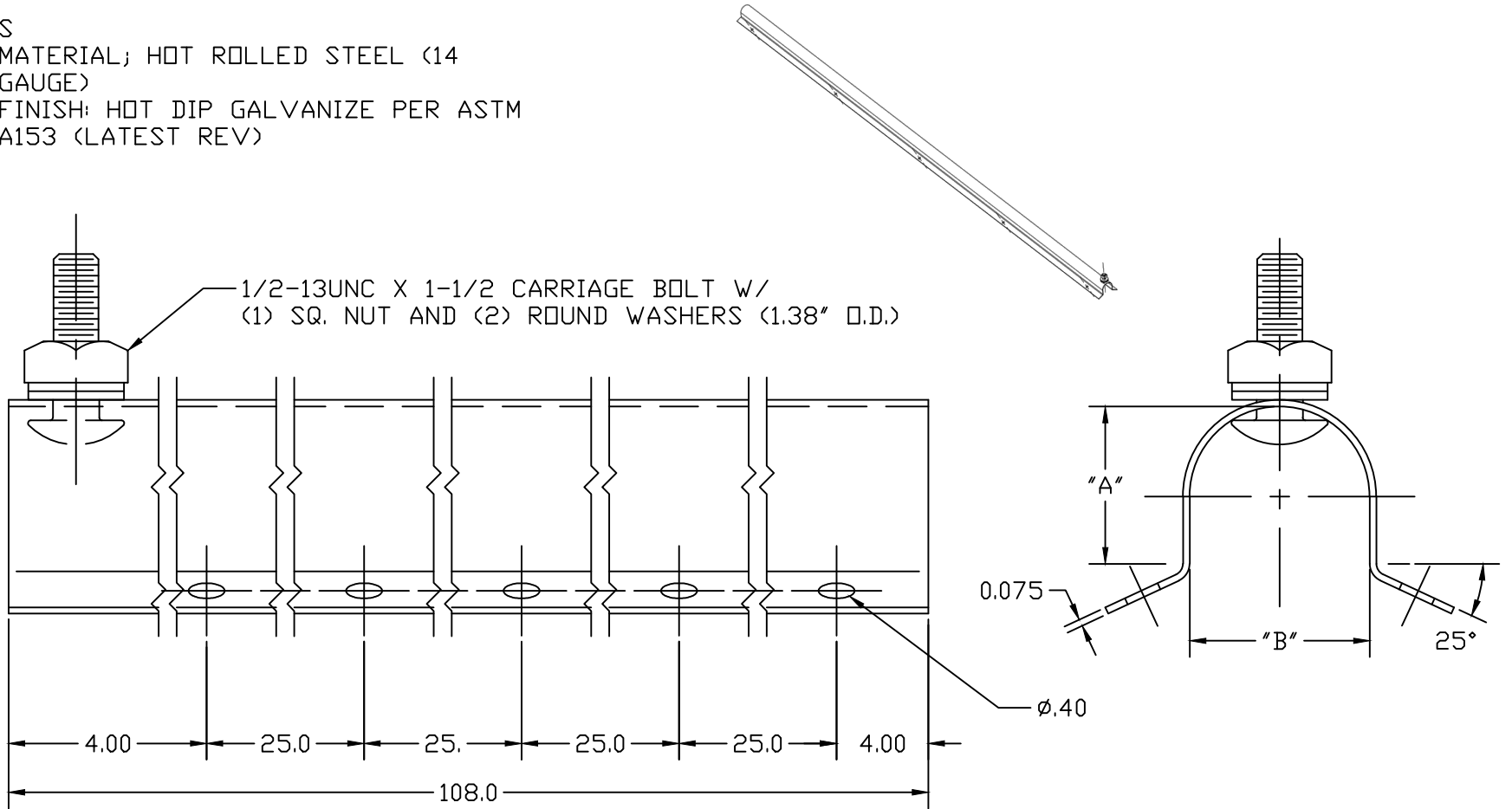


NOTES

1. MATERIAL; HOT ROLLED STEEL (14 GAUGE)
2. FINISH: HOT DIP GALVANIZE PER ASTM A153 (LATEST REV)



CATALOG NUMBER	"A"	"B"
C2030033	1.88	2.00
C2030034	2.88	3.00
C2030035	3.38	3.50

<b>CHANCE</b> TOLERANCE CHART		<b>HUBBELL</b> POWER SYSTEMS	
<small>CONFIDENTIAL: THIS DRAWING AND ITS CONTENTS ARE CONFIDENTIAL AND THE EXCLUSIVE PROPERTY OF HUBBELL POWER SYSTEMS. NO PUBLICATION, DISTRIBUTION OR COPIES MAY BE MADE WITHOUT THE WRITTEN CONSENT OF HUBBELL POWER SYSTEMS. HUBBELL POWER SYSTEMS UNPUBLISHED. ALL RIGHTS RESERVED UNDER THE COPYRIGHT LAWS.</small>		TITLE <b>CABLE GAURD ASSEMBLY</b>	
SIZE <b>SB</b>	DWG NO. <b>SA2030033</b>	CAT / PART / ASSY NO. <b>SEE TABLE</b>	REV <b>---</b>
DO NOT SCALE THIS DRAWING	DRN BY TMF	DATE 08/14/15	SHEET 1 OF 1