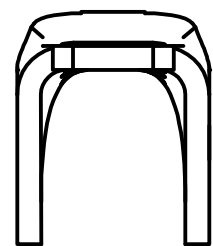
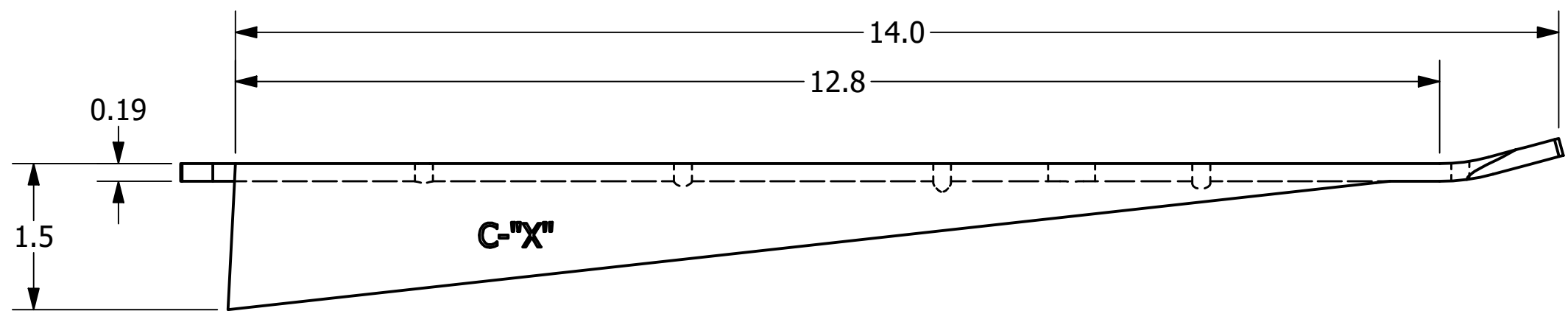
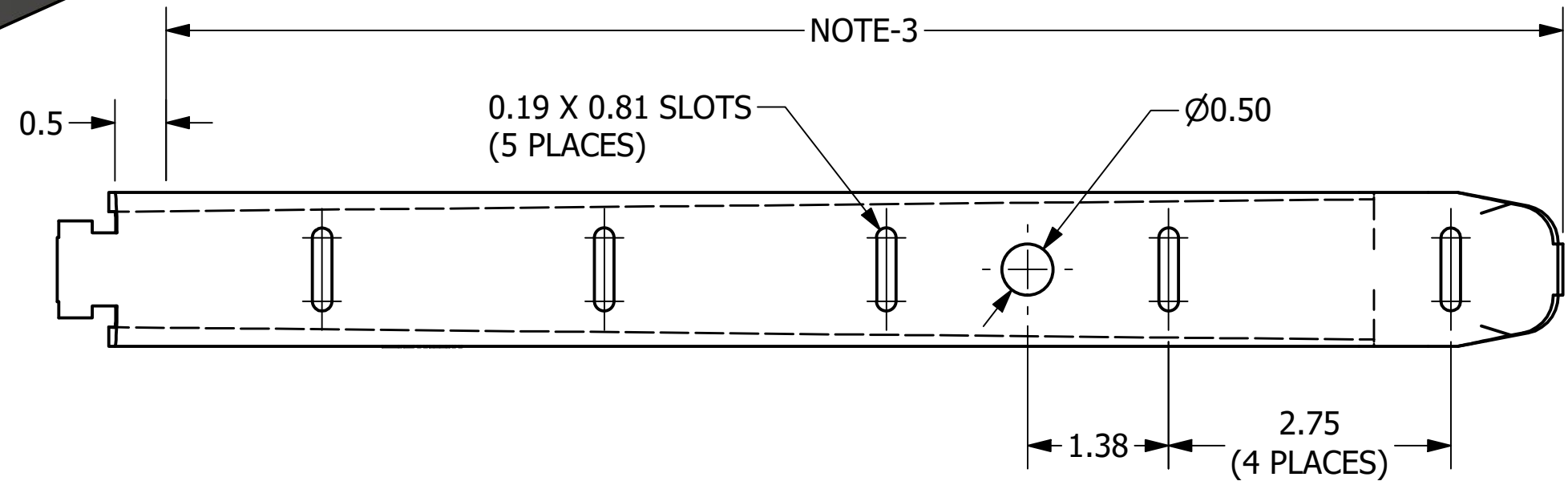


-NOTES-

1. MATERIAL: STEEL
2. FINISH: HOT DIP GALVANIZED PER ASTM A153
3. PLASTISOL COATING ON C2030499 ONLY



CATALOG NUMBER	PLASTISOL COATING
C2030315	NO
C2030499	YES

<h1>CHANCE[®]</h1>	HUBBELL POWER SYSTEMS, INC.				
	UNDERGROUND HOOK, CABLE				
CONFIDENTIAL: THIS DRAWING AND ITS CONTENTS ARE CONFIDENTIAL AND THE EXCLUSIVE PROPERTY OF HUBBELL POWER SYSTEMS. NO PUBLICATION, DISTRIBUTION, OR COPIES MAY BE MADE WITHOUT THE WRITTEN CONSENT OF HUBBELL POWER SYSTEMS. HUBBELL POWER SYSTEMS UNPUBLISHED ALL RIGHTS RESERVED UNDER THE COPYRIGHT LAWS.	TITLE UNDERGROUND HOOK, CABLE	SIZE B	CAT / PART / ASSY NO. SEE CHART	DWG NO. SAC2030315	REV C
DO NOT SCALE THIS DRAWING	DRN BY HOEK	DATE 7/27/22	SHEET 1 OF 1		