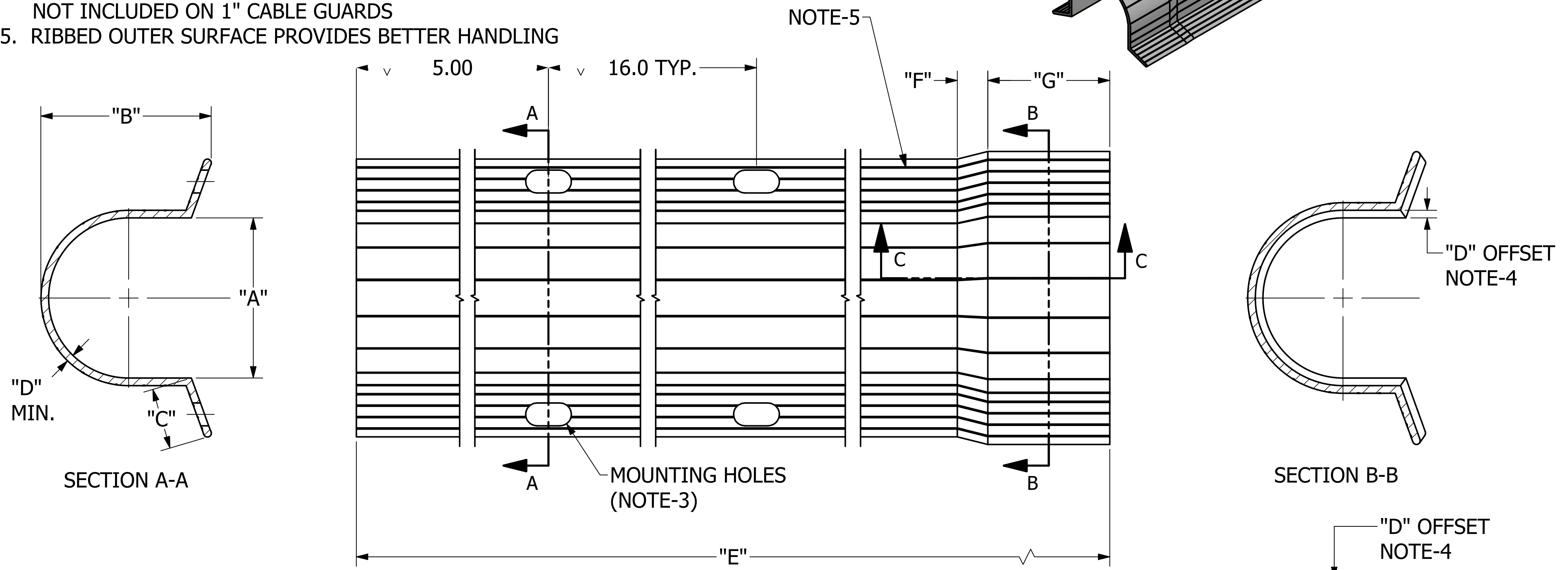
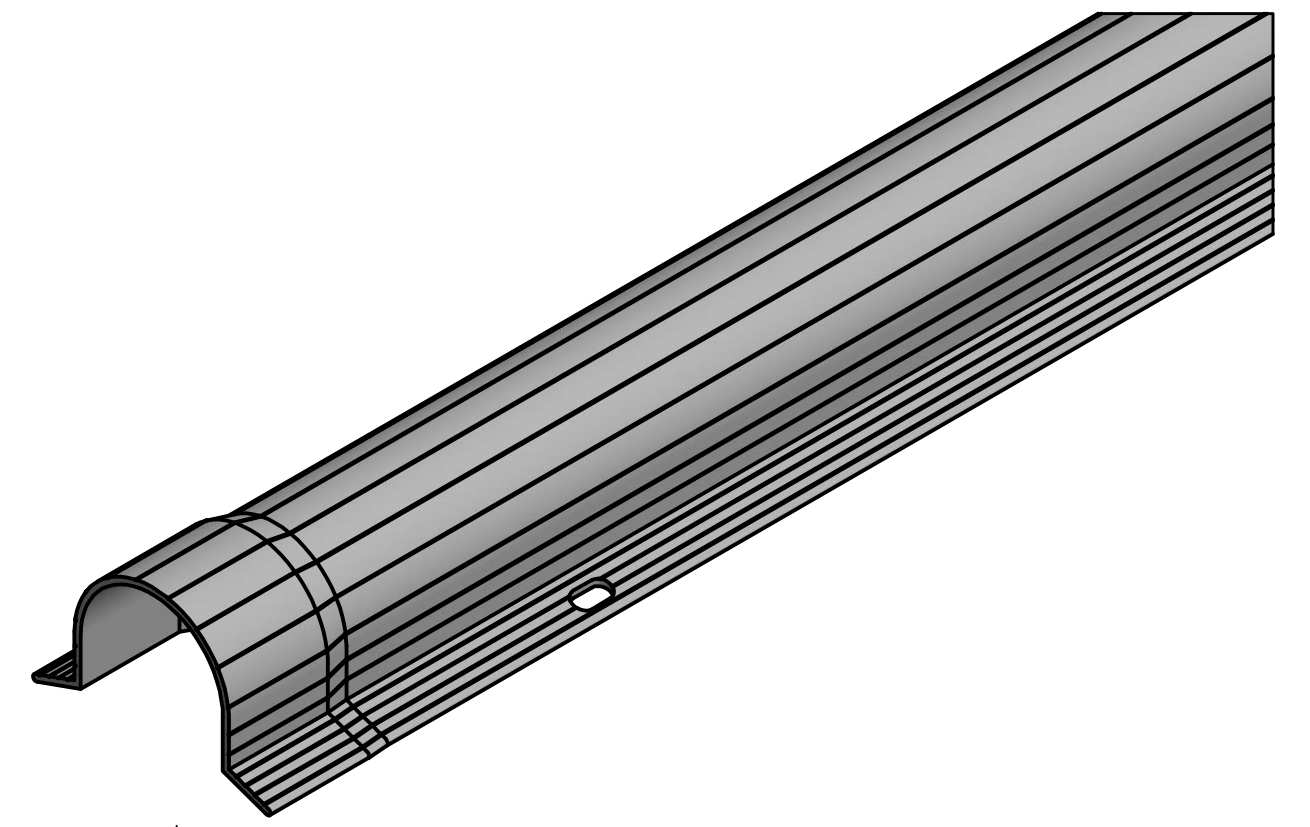


- NOTES -

1. MATERIAL: PE 335420E PER ASTM D 3350
2. CABLE GUARDS MEET REQUIREMENTS LISTED IN NEMA TC-19 STANDARD FOR:
 - IMPACT RESISTANCE
 - SUNLIGHT RESISTANCE
3. 5' LENGTH WILL HAVE 8 MOUNTING HOLES (4 PER SIDE)
 8' LENGTH WILL HAVE 12 MOUNTING HOLES (6 PER SIDE)
 10' LENGTH WILL HAVE 16 MOUNTING HOLES (8 PER SIDE)
4. BELLED END PROVIDE AN OVERLAP FOR ADJACENT SECTIONS, NOT INCLUDED ON 1" CABLE GUARDS
5. RIBBED OUTER SURFACE PROVIDES BETTER HANDLING



CATALOG NO.	SIZE	"A"	"B"	"C"	"D"	"E"	"F"	"G"	MOUNTING HOLES
PSC2030588	1"	1.13	1.25	0.75	0.125	5'	N/A	N/A	.19 x .75
PSC2030606	1"	1.13	1.25	0.75	0.125	8'	N/A	N/A	.19 x .75
PSC2030546	1"	1.13	1.25	0.75	0.125	10'	N/A	N/A	.19 x .75
PSC2030547	2"	2.63	2.79	1.00	0.125	5'	0.50	2.00	.31 x .75
PSC2030548	2"	2.63	2.79	1.00	0.125	10'	0.50	2.00	.31 x .75
PSC2030549	3"	3.56	4.17	1.00	0.150	5'	1.00	3.00	.31 x .75
PSC2030550	3"	3.56	4.17	1.00	0.150	10'	1.00	3.00	.31 x .75
PSC2030551	4"	4.44	5.54	1.00	0.150	5'	1.50	4.00	.31 x .75
PSC2030552	4"	4.44	5.54	1.00	0.150	10'	1.50	4.00	.31 x .75
PSC2030553	5"	5.41	6.67	1.25	0.170	5'	1.50	4.00	.31 x .75
PSC2030554	5"	5.41	6.67	1.25	0.170	10'	1.50	4.00	.31 x .75
PSC2030555	6"	6.25	7.87	1.50	0.200	5'	2.00	5.00	.31 x .75
PSC2030556	6"	6.25	7.87	1.50	0.200	10'	2.00	5.00	.31 x .75
PSC2030568	8"	8.13	10.06	1.63	0.220	5'	3.00	7.00	.31 x .75

CHANCE®

HUBBELL POWER SYSTEMS, INC.

GUARD, CABLE BELLED END

SIZE C	CAT / PART / ASSY NO. SEE TABLE	DWG NO. SAC2030546	REV F
DO NOT SCALE THIS DRAWING	DRN BY HOEK	DATE 11/5/20	SHEET 1 OF 1

CONFIDENTIAL: THIS DRAWING AND ITS CONTENTS ARE CONFIDENTIAL AND THE EXCLUSIVE PROPERTY OF HUBBELL POWER SYSTEMS. NO PUBLICATION, DISTRIBUTION, OR COPIES MAY BE MADE WITHOUT THE WRITTEN CONSENT OF HUBBELL POWER SYSTEMS. HUBBELL POWER SYSTEMS UNPUBLISHED ALL RIGHTS RESERVED UNDER THE COPYRIGHT LAWS.