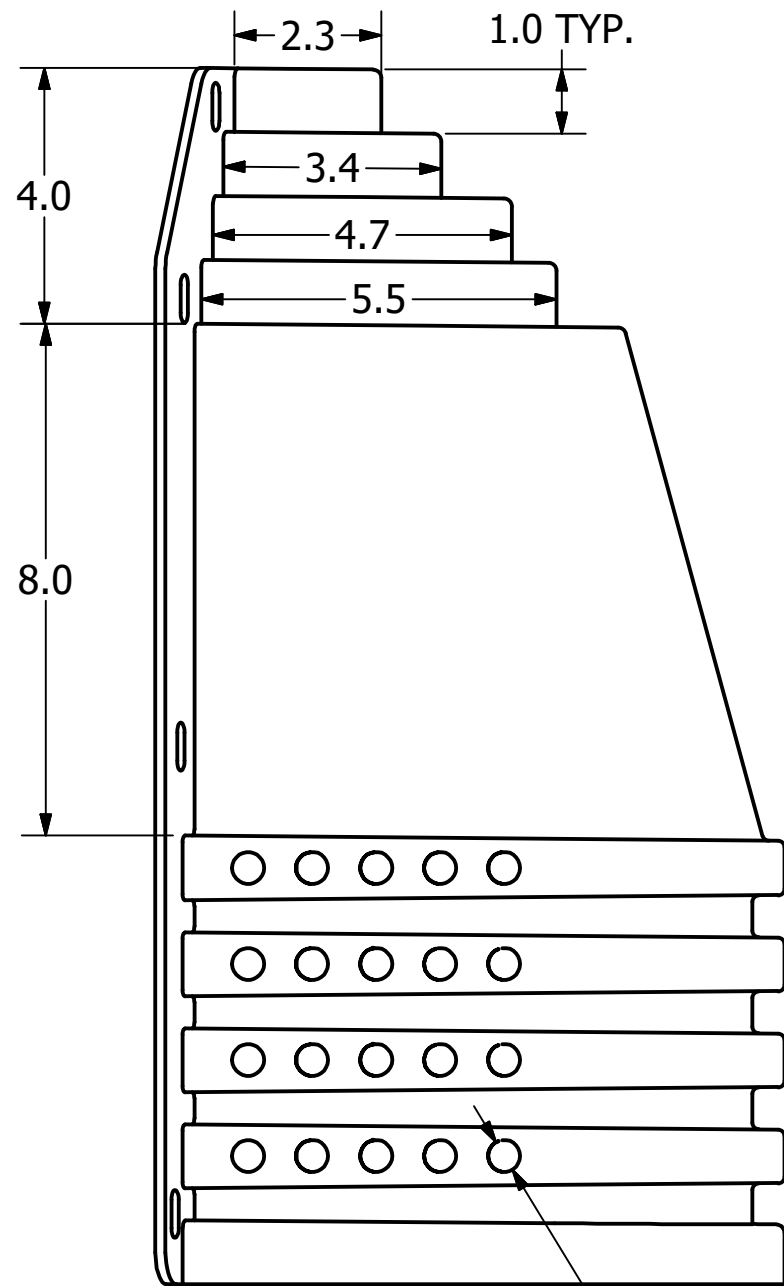
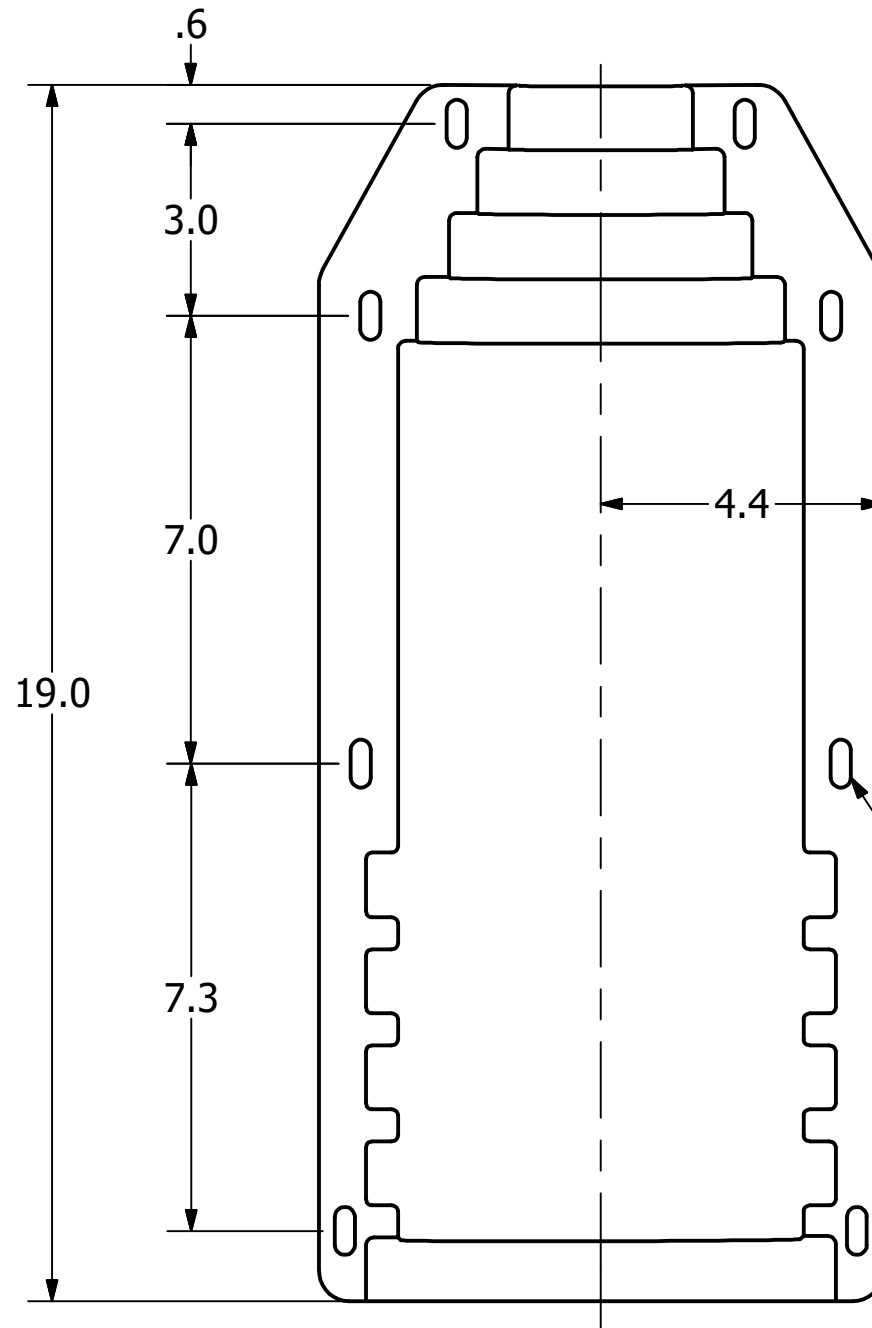


- NOTES -

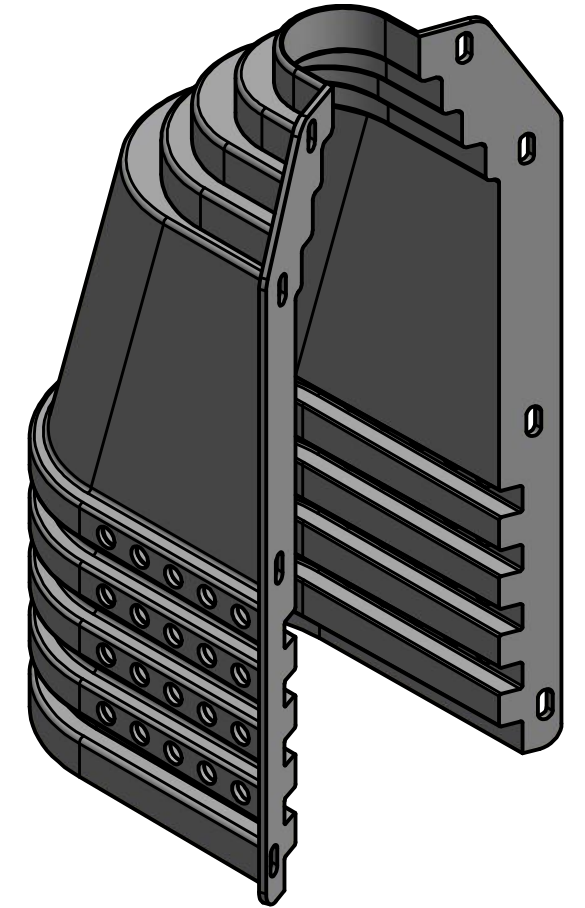
1. MATERIAL: PE 335420E PER ASTM D 3350
2. MATERIAL TESTED FOR SUNLIGHT RESISTANCE USING PROCEDURES OUTLINED IN NEMA TC-19



Ø.50 VENT HOLES  
30X BOTH SIDES



8X MOUNTING HOLES  
.313" X .750"



CATALOG NUMBER: PSC2030558

<b>CHANCE</b> ®		<b>HUBBELL</b> ® POWER SYSTEMS, INC.		<b>HUBBELL POWER SYSTEMS, INC.</b>	
CONFIDENTIAL: THIS DRAWING AND ITS CONTENTS ARE CONFIDENTIAL AND THE EXCLUSIVE PROPERTY OF HUBBELL POWER SYSTEMS. NO PUBLICATION, DISTRIBUTION, OR COPIES MAY BE MADE WITHOUT THE WRITTEN CONSENT OF HUBBELL POWER SYSTEMS. HUBBELL POWER SYSTEMS UNPUBLISHED ALL RIGHTS RESERVED UNDER THE COPYRIGHT LAWS.		TITLE <b>GUARD, ADAPTER 2" - 5"</b>			
SIZE <b>B</b>	CAT / PART / ASSY NO. <b>PSC2030558</b>	DWG NO. <b>SAC2030558</b>	REV <b>D</b>		
DO NOT SCALE THIS DRAWING	DRN BY WILSON	DATE 09/20/18	SHEET 1 OF 1		