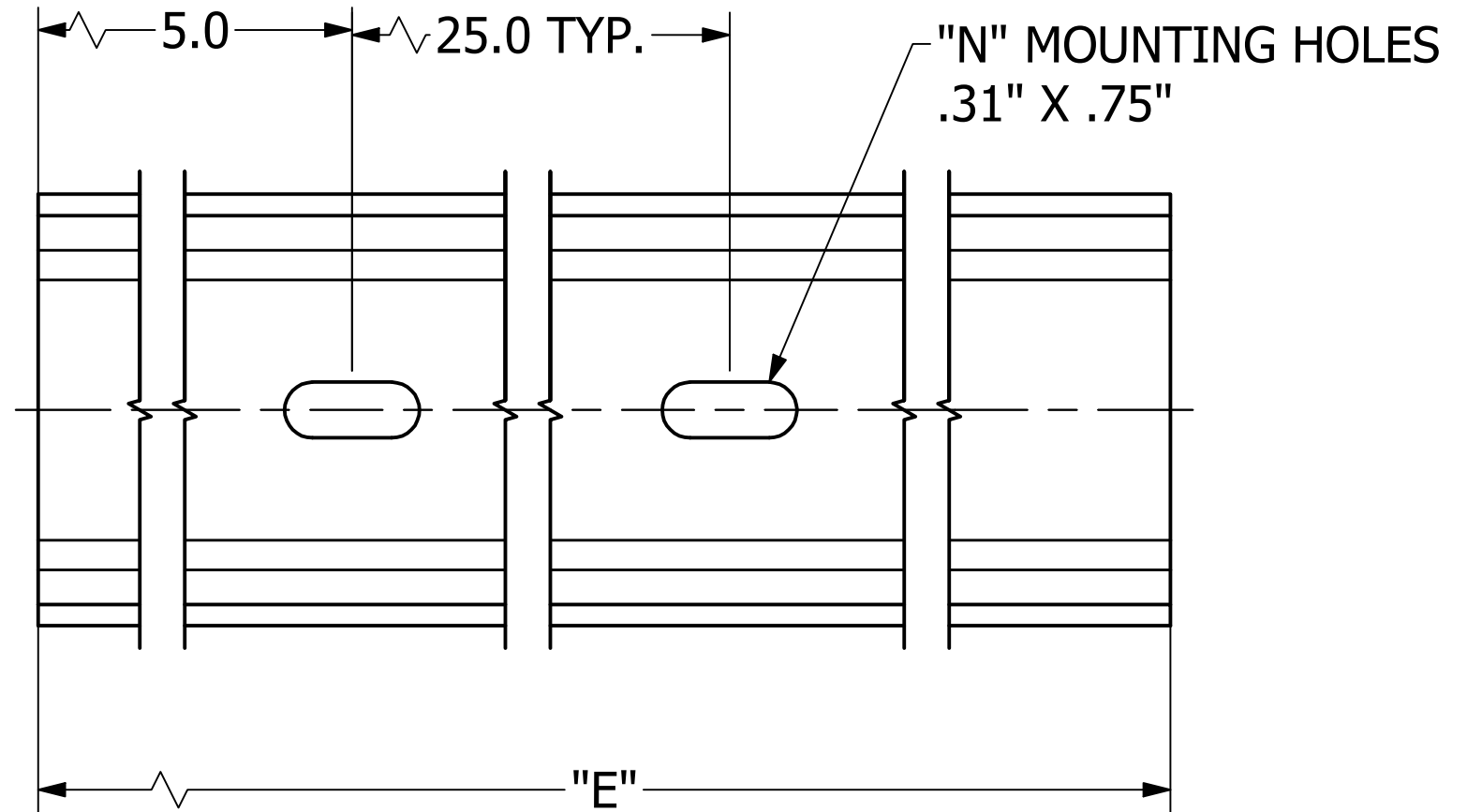
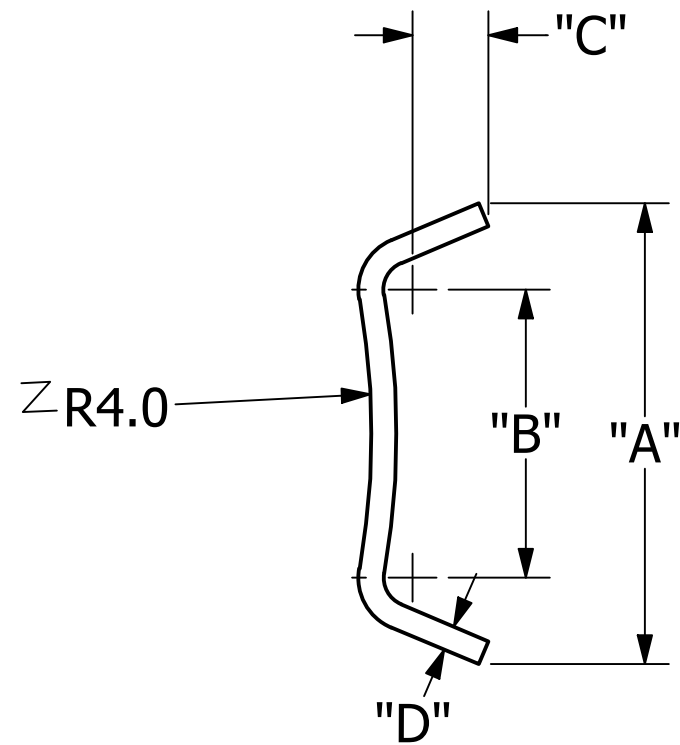
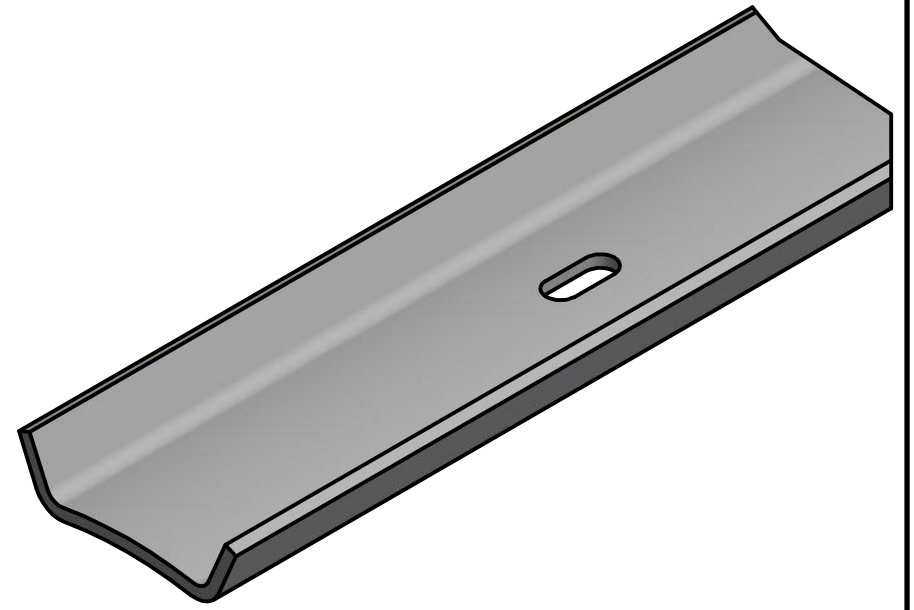


CATALOG NO.	SIZE	"A"	"B"	"C"	"D"	"E"	"N"
PSC2030559	2"	2.5	1.5	.43	.13	5'	3
PSC2030560	2"	2.5	1.5	.43	.13	10'	5
PSC2030561	3"	3.25	2.25	.58	.15	5'	3
PSC2030562	3"	3.25	2.25	.58	.15	10'	5
PSC2030563	4"	4.25	3.25	.71	.15	5'	3
PSC2030564	4"	4.25	3.25	.71	.15	10'	5
PSC2030565	5"	5.25	4.25	.97	.17	5'	3
PSC2030566	5"	5.25	4.25	.97	.17	10'	5
PSC2030567	6"	6.25	5.25	1.1	.19	5'	3
PSC2030601	6"	6.25	5.25	1.1	.19	10'	5



- NOTES -

1. MATERIAL: PE 335420E PER ASTM D 3350.
2. MATERIAL TESTED USING PROCEDURES OUTLINED IN NEMA TC-19 FOR SUNLIGHT RESISTANCE

CHANCE [®]	HUBBELL POWER SYSTEMS, INC.			
	GUARD, BACK PLATE			
CONFIDENTIAL: THIS DRAWING AND ITS CONTENTS ARE CONFIDENTIAL AND THE EXCLUSIVE PROPERTY OF HUBBELL POWER SYSTEMS. NO PUBLICATION, DISTRIBUTION, OR COPIES MAY BE MADE WITHOUT THE WRITTEN CONSENT OF HUBBELL POWER SYSTEMS. HUBBELL POWER SYSTEMS UNPUBLISHED ALL RIGHTS RESERVED UNDER THE COPYRIGHT LAWS.	SIZE B	CAT / PART / ASSY NO. SEE CHART	DWG NO. SAC2030559	REV D
DO NOT SCALE THIS DRAWING	DRN BY TRH	DATE 4/27/2020	SHEET 1 OF 1	