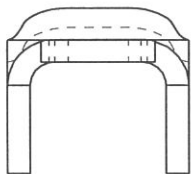
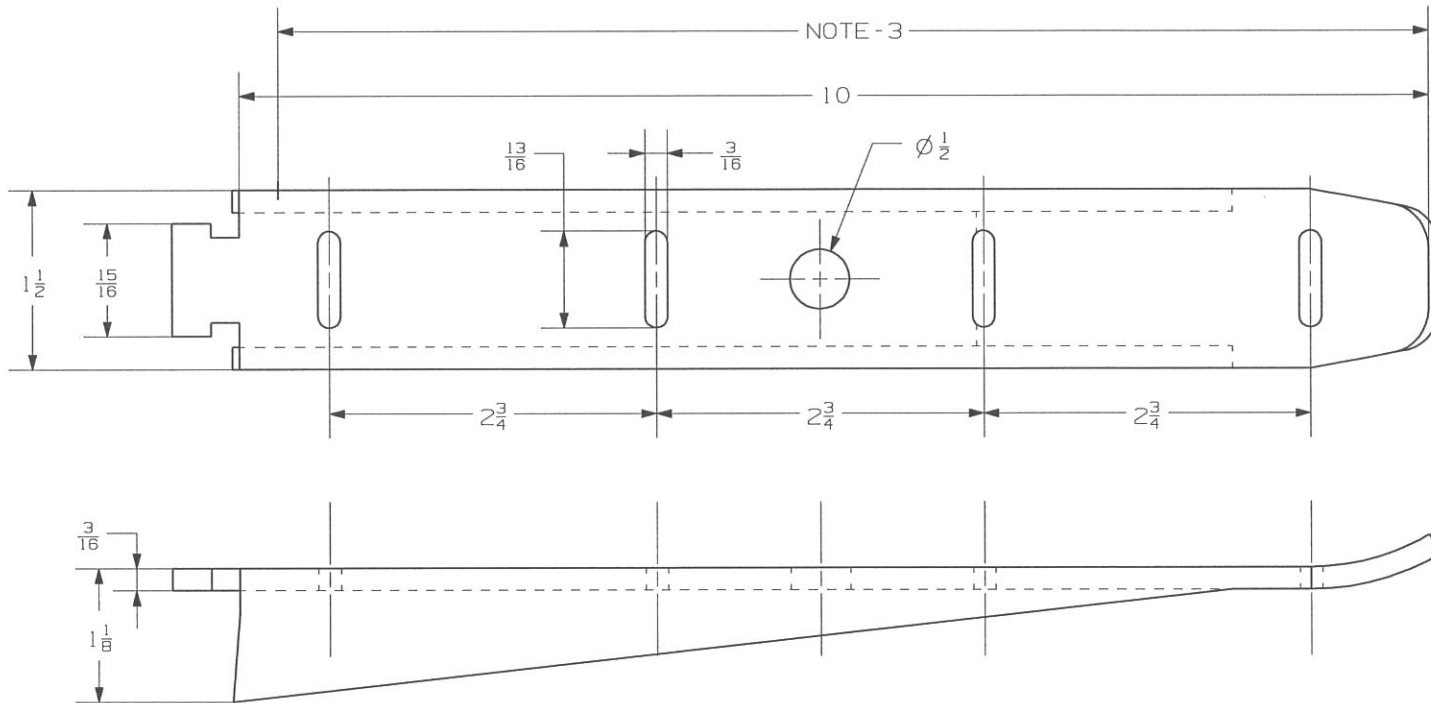


-NOTES-

1. MATERIAL: STEEL PER TT-169
2. HOT DIP GALVANIZE PER ASTM A153 (LATEST REV).
3. PLASTISOL COATING.



STANDARD CATALOG NUMBER	CATALOG NUMBER W/ PLASTISOL COATING
C203-1133	C203-1127
400-314-480	

LATEST EC NO:	REV.	DATE	CHANGED BY	RESP ENGINEER
---	-	-----	---	---
DRN BY: DATE			TITLE:	
BERGER		09-14-12	CABLE HOOK	
DO NOT SCALE THIS DWG			THIRD ANGLE PROJECTION	ISO DUAL DIMENSIONS IN=INCH, MM=MILLIMETER
				SIZE B



DWG NO: SAC203-1133

CONFIDENTIAL: THIS DRAWING AND ITS CONTENTS ARE CONFIDENTIAL AND THE EXCLUSIVE PROPERTY OF HUBBELL POWER SYSTEMS, INC. NO PUBLICATION, DISTRIBUTION OR COPIES MAY BE MADE WITHOUT WRITTEN CONSENT BY HUBBELL POWER SYSTEMS, INC. © 2012 HUBBELL POWER SYSTEMS. UNPUBLISHED, ALL RIGHTS RESERVED UNDER THE COPYRIGHT LAWS