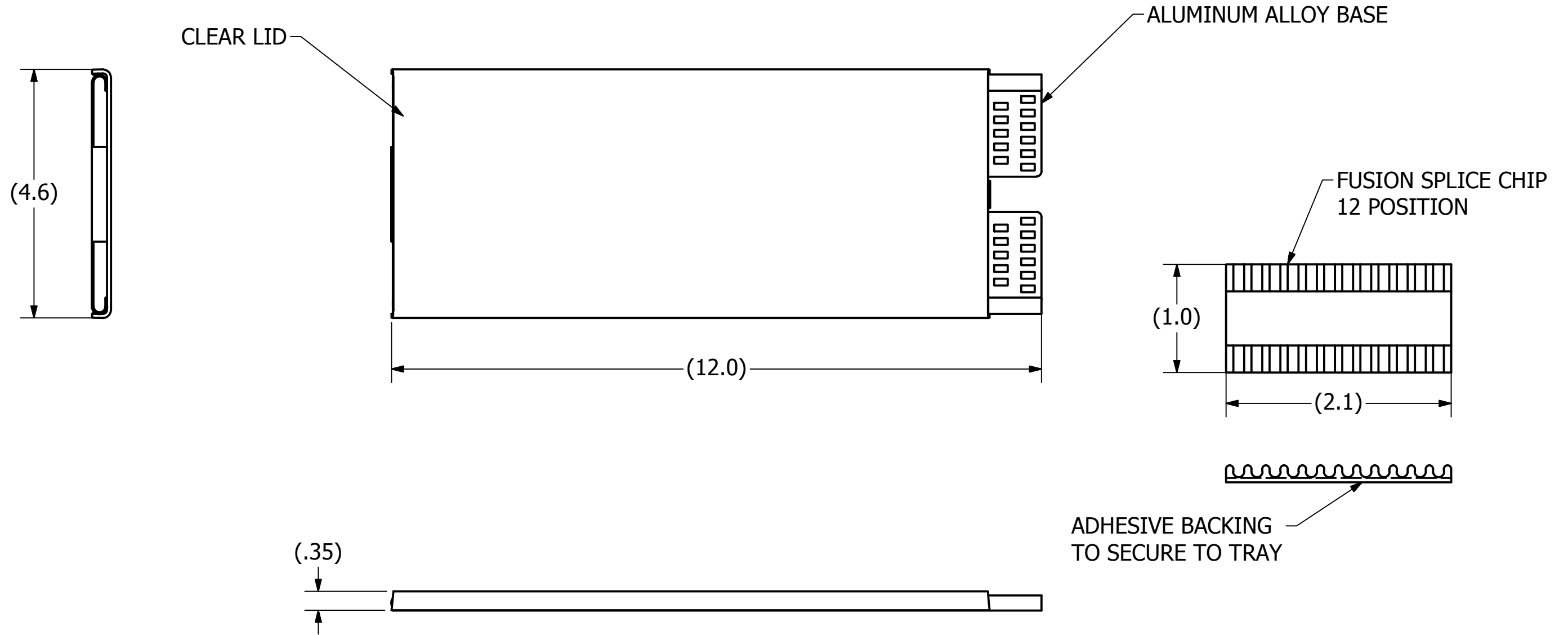


- NOTES-
1. PSC20512 IS PROVIDED WITH ONE PSCBS1P (PLASTIC FUSION CHIP)



CHANCE[®]



HUBBELL POWER SYSTEMS, INC.

TITLE

12 FIBER TRAY

CONFIDENTIAL: THIS DRAWING AND ITS CONTENTS ARE CONFIDENTIAL AND THE EXCLUSIVE PROPERTY OF HUBBELL POWER SYSTEMS. NO PUBLICATION, DISTRIBUTION, OR COPIES MAY BE MADE WITHOUT THE WRITTEN CONSENT OF HUBBELL POWER SYSTEMS. HUBBELL POWER SYSTEMS UNPUBLISHED ALL RIGHTS RESERVED UNDER THE COPYRIGHT LAWS.

SIZE B	CAT / PART / ASSY NO. PSC20512	DWG NO. SAC20512	REV A
DO NOT SCALE THIS DRAWING	DRN BY GKT	DATE 3/20/19	SHEET 1 OF 1