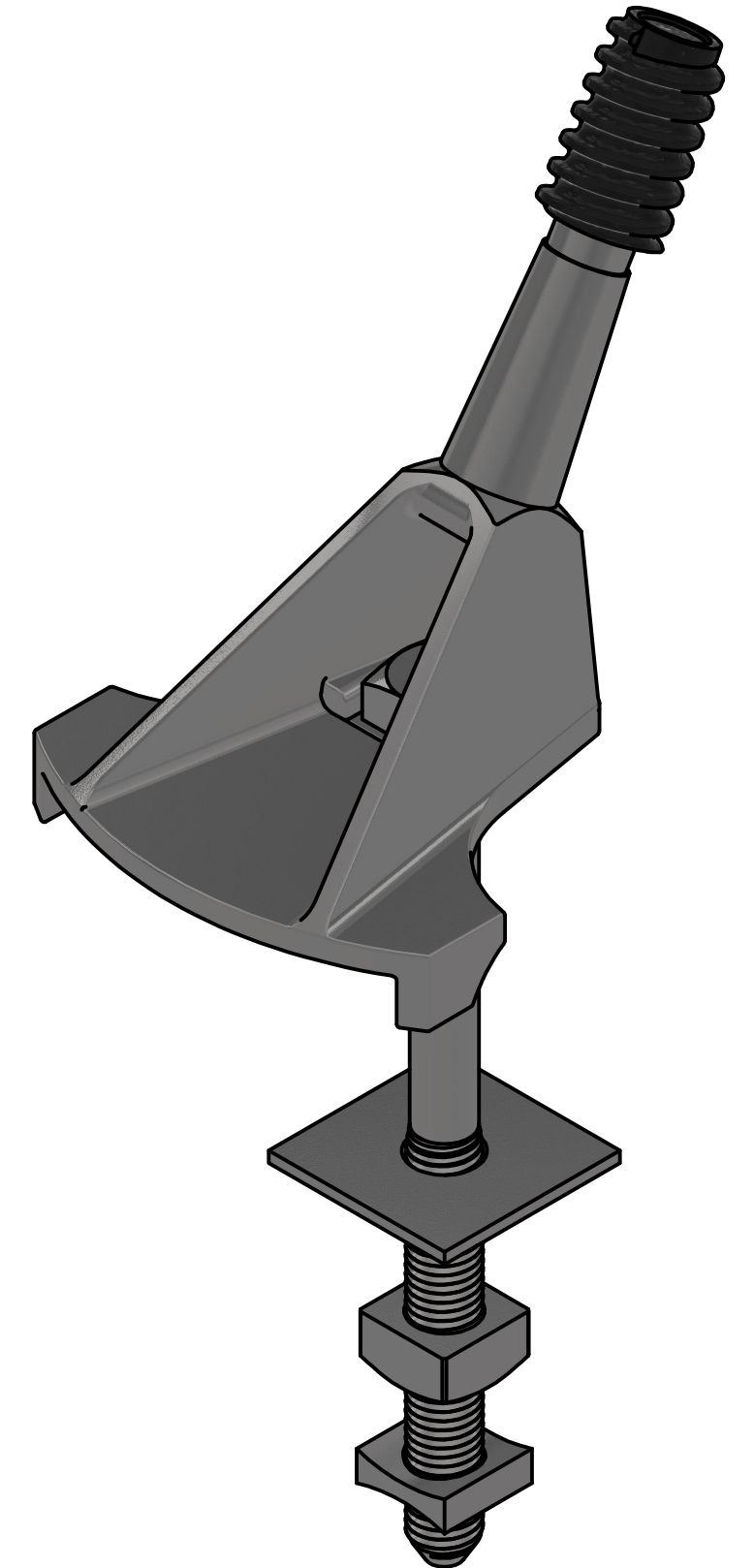
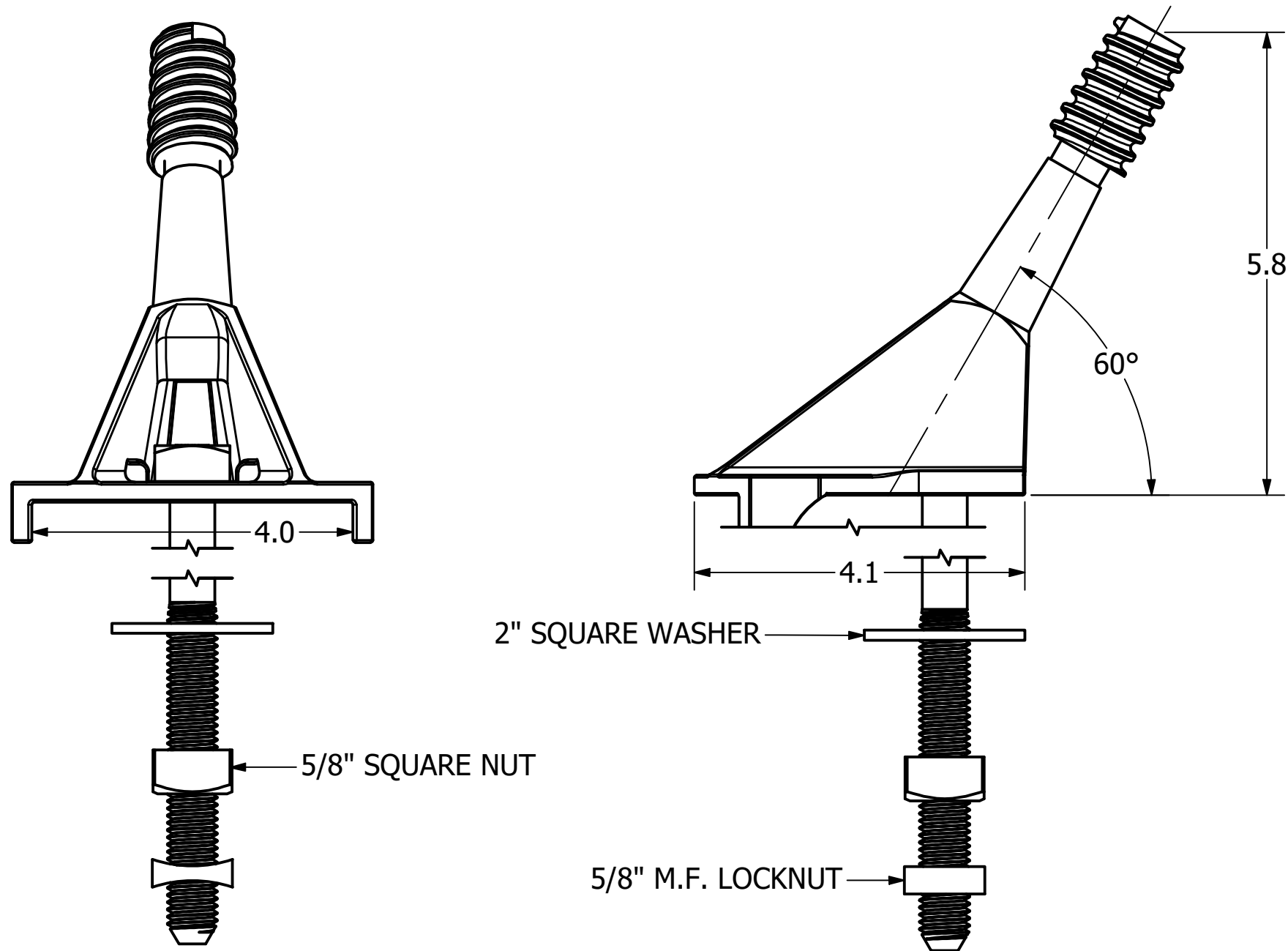


- NOTES -

1. ASSEMBLE COMPLETE AS SHOWN.
2. MATERIAL: DUCTILE IRON PER ASTM A536.
3. FINISH: HOT DIP GALVANIZED PER ASTM A153.



CATALOG NUMBER: PSC2061093P

CHANCE [®]	HUBBELL [®] HUBBELL POWER SYSTEMS, INC. <small>POWER SYSTEMS, INC.</small>		
	TITLE NYLON CROSSARM ANGLE PIN ASSEMBLY		
SIZE B	CAT / PART / ASSY NO. PSC2061093P	DWG NO. SAC2061093P	REV C
<small>DO NOT SCALE THIS DRAWING</small>	<small>DRN BY TOLIVER</small>	<small>DATE 9/20/19</small>	<small>SHEET 1 OF 1</small>

CONFIDENTIAL: THIS DRAWING AND ITS CONTENTS ARE CONFIDENTIAL AND THE EXCLUSIVE PROPERTY OF HUBBELL POWER SYSTEMS. NO PUBLICATION, DISTRIBUTION, OR COPIES MAY BE MADE WITHOUT THE WRITTEN CONSENT OF HUBBELL POWER SYSTEMS. HUBBELL POWER SYSTEMS UNPUBLISHED ALL RIGHTS RESERVED UNDER THE COPYRIGHT LAWS.