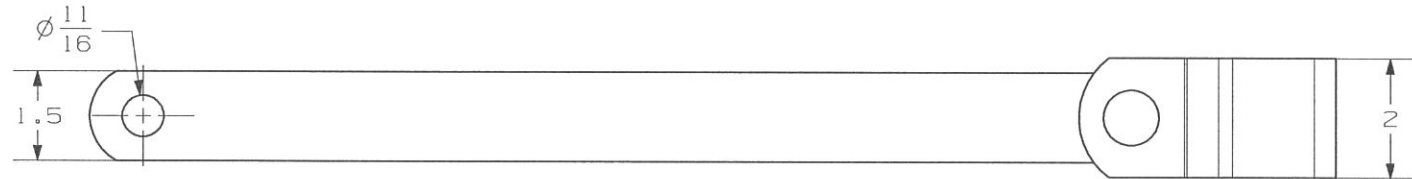
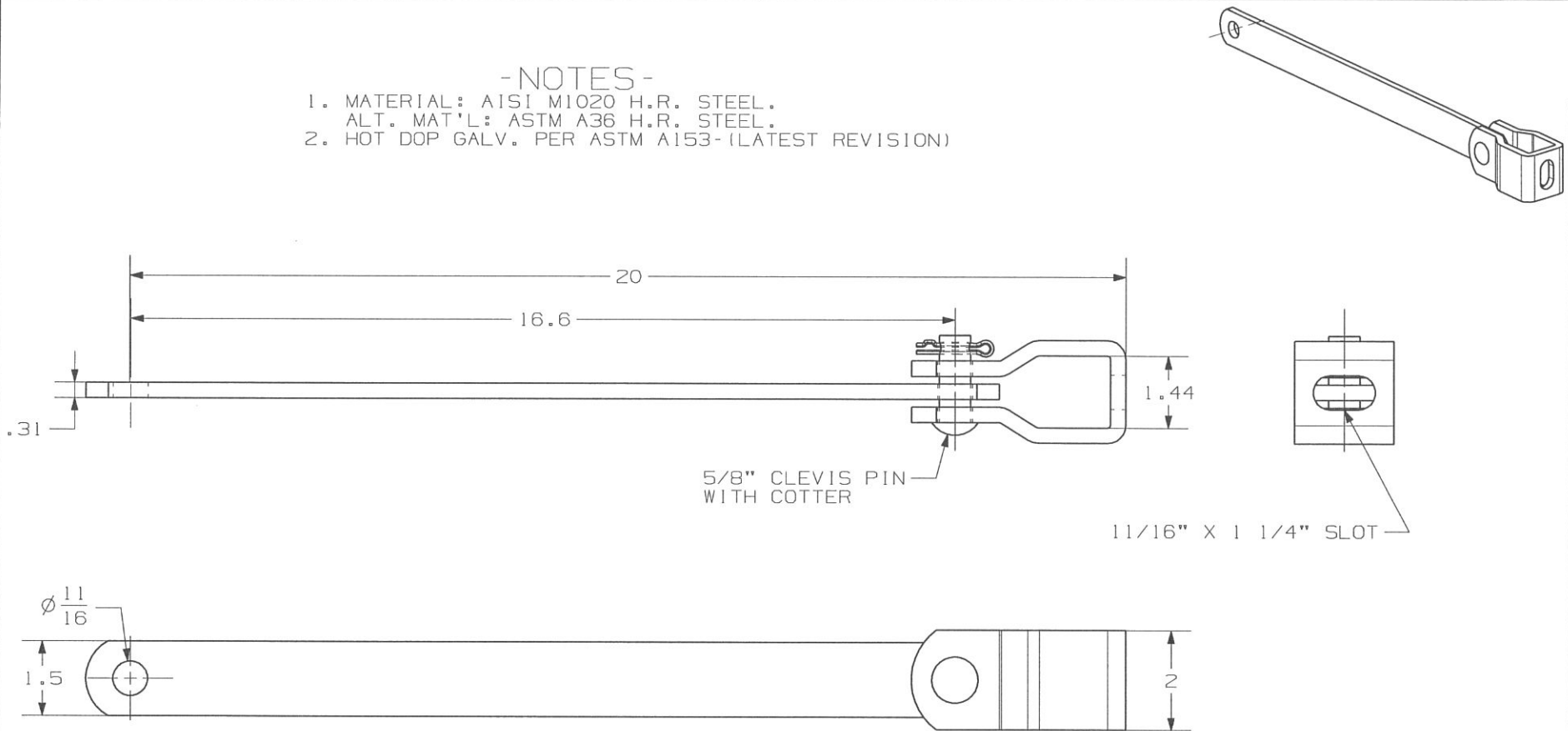


-NOTES-

1. MATERIAL: AISI M1020 H.R. STEEL.
ALT. MAT'L: ASTM A36 H.R. STEEL.
2. HOT DOP GALV. PER ASTM A153-(LATEST REVISION)



CATALOG NUMBER : C207-0065

LATEST EC NO:		REV.	DATE	CHANGED BY	RESP ENGINEER
46448		B	07-20-12	BERGER	KIRK
				DO NOT SCALE THIS DWG	THIRD ANGLE PROJECTION
				ISO DUAL DIMENSIONS IN=INCH, MM=MILLIMETER	
DRN BY:	DATE	TITLE:			SIZE
TLW	08-15-68	EXTENSION LINK ASS'Y.			B
				DWG NO:	SAC207-0065

CONFIDENTIAL: THIS DRAWING AND ITS CONTENTS ARE CONFIDENTIAL AND THE EXCLUSIVE PROPERTY OF HUBBELL / A.B. CHANCE COMPANY. NO PUBLICATION, DISTRIBUTION OR COPIES MAY BE MADE WITHOUT WRITTEN CONSENT BY HUBBELL / A.B. CHANCE COMPANY. © 2001 HUBBELL/A.B. CHANCE. UNPUBLISHED - ALL RIGHTS RESERVED UNDER THE COPYRIGHT LAWS