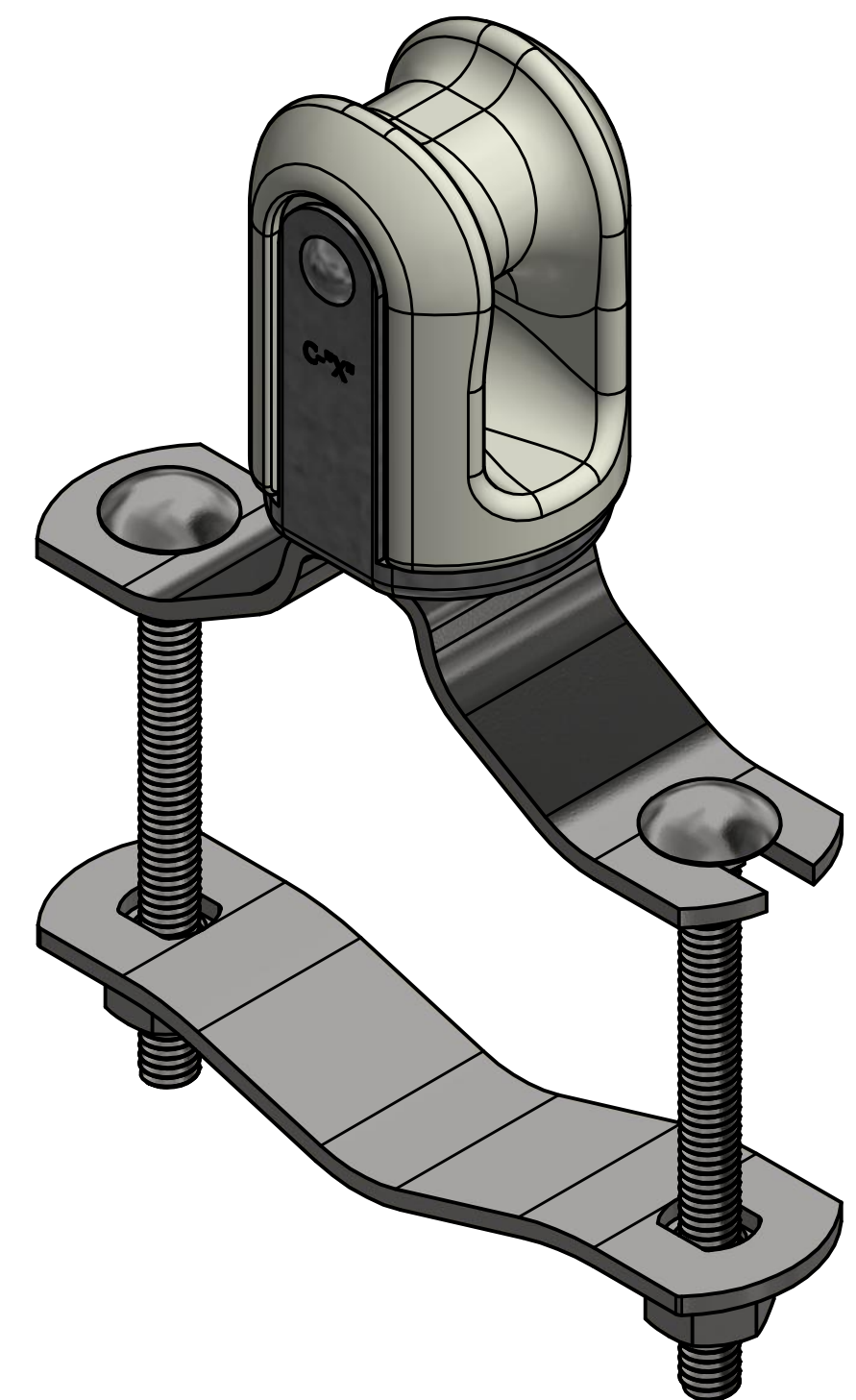
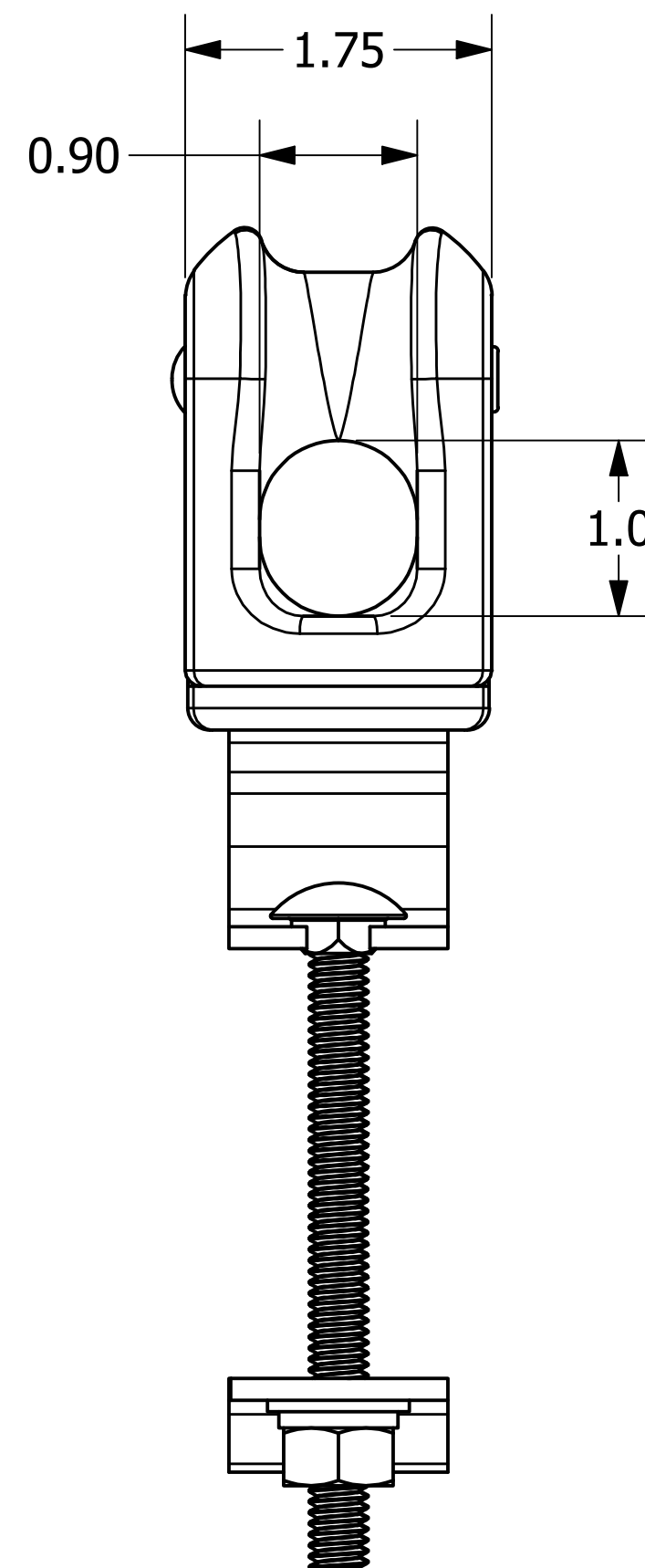
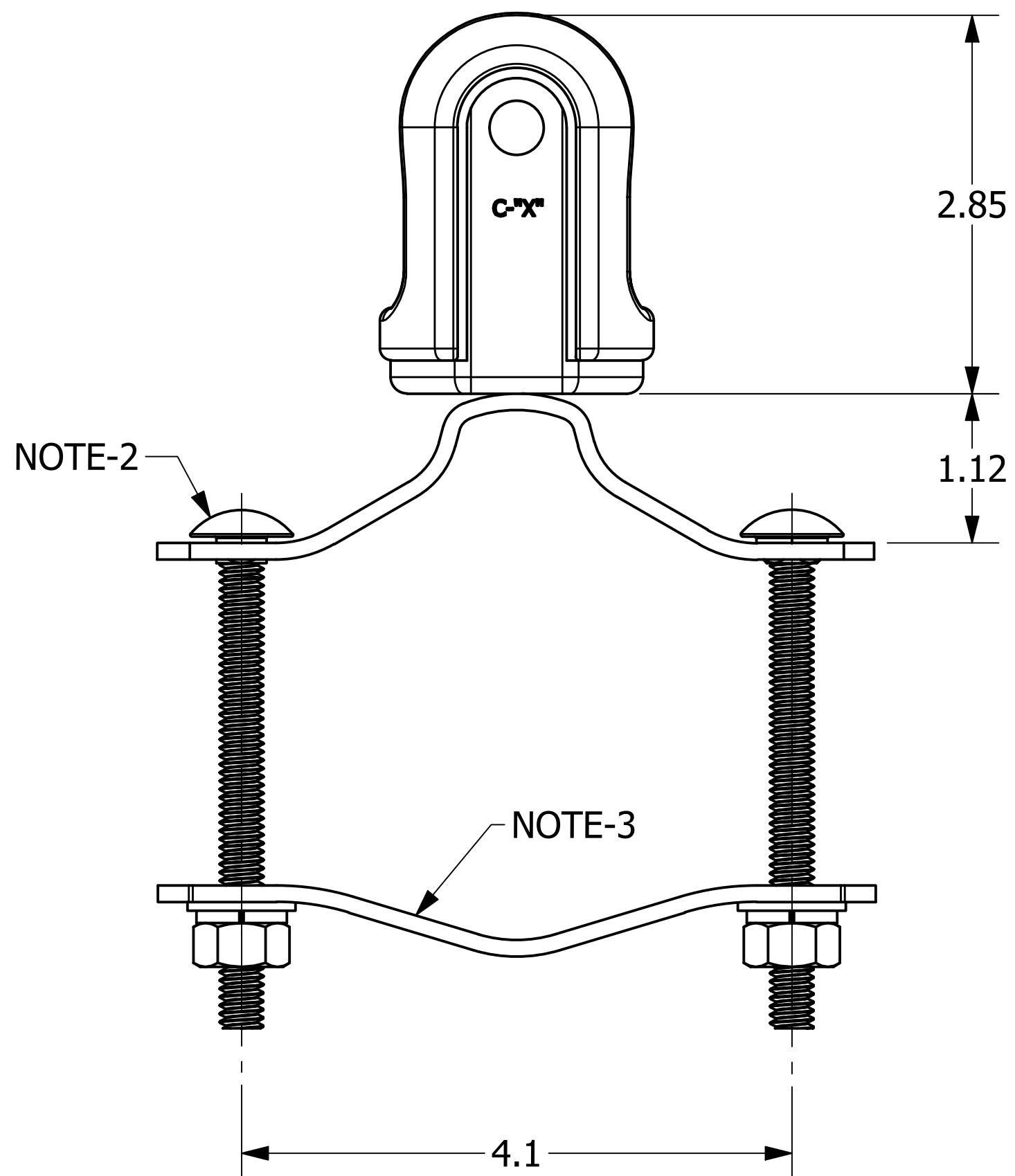


**-NOTES-**

1. INSULATOR MATERIAL: PORCELAIN  
CLAMP MATERIAL: ZINC PLATED STEEL
2. ASSEMBLY INCLUDES 2, 3/8" CARRIAGE BOLTS, WASHERS, LOCKWASHERS, AND HEX NUTS
3. CLAMP ADJUSTABLE TO FIT 1-1/4" TO 2-1/2" DIAMETER PIPE



**CATALOG NUMBER: C2070075**

<b>CHANCE</b> <sup>®</sup>	<b>HUBBELL</b> <sup>®</sup> HUBBELL POWER SYSTEMS, INC. POWER SYSTEMS, INC.			
	TITLE <b>WIREHOLDER PIPE MOUNTED</b>			
CONFIDENTIAL: THIS DRAWING AND ITS CONTENTS ARE CONFIDENTIAL AND THE EXCLUSIVE PROPERTY OF HUBBELL POWER SYSTEMS. NO PUBLICATION, DISTRIBUTION, OR COPIES MAY BE MADE WITHOUT THE WRITTEN CONSENT OF HUBBELL POWER SYSTEMS. HUBBELL POWER SYSTEMS UNPUBLISHED ALL RIGHTS RESERVED UNDER THE COPYRIGHT LAWS.	SIZE <b>C</b>	CAT / PART / ASSY NO. <b>C2070075</b>	DWG NO. <b>SAC2070075</b>	REV <b>A</b>
DO NOT SCALE THIS DRAWING	DRN BY HOEK	DATE 12/15/22	SHEET 1 OF 1	