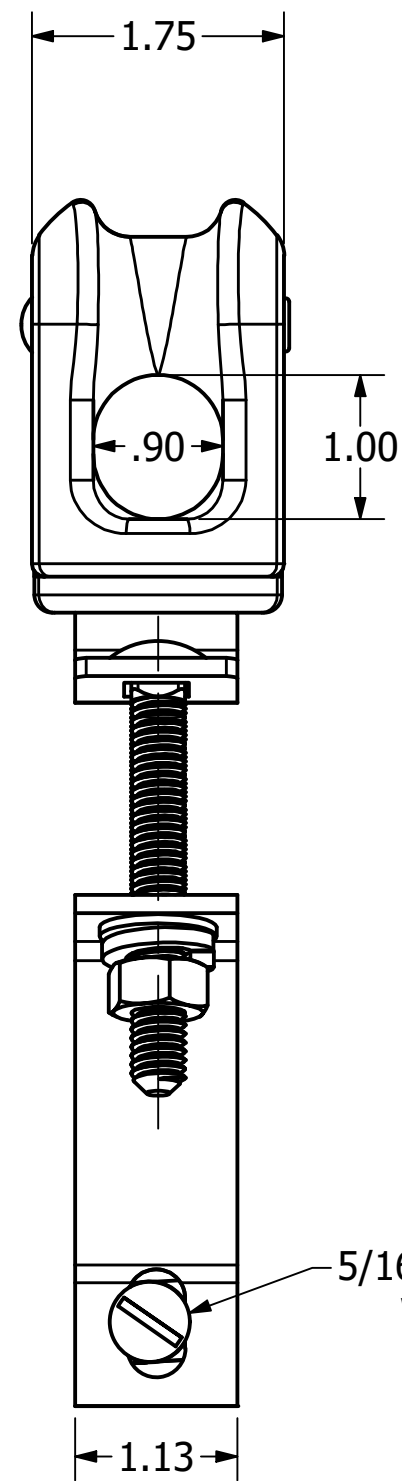


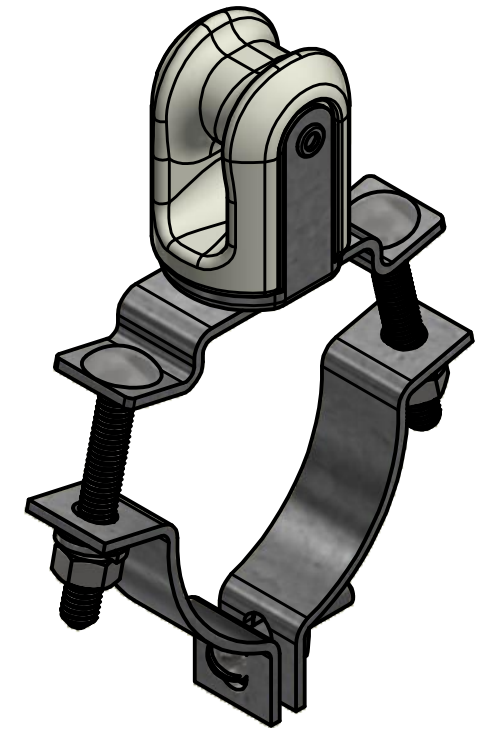
WILL GRIP
3"-4" DIA.
PIPE

3/8 X 3.5 CARRIAGE BOLT
W/ FLAT WASHER, COIL LOCK
WASHER. AND HEX NUT.

CATALOG NUMBER: C2070076



5/16 X 1-3/4 RD. HD. SCREW
W/ 5/16 SQUARE NUT



-NOTES-

1. STRAP MATERIAL: ZINC PLATED STEEL
2. INSULATOR MATERIAL: GRAY GLAZED PORCELAIN

CHANCE [®]		HUBBELL [®] POWER SYSTEMS, INC.	
CONFIDENTIAL: THIS DRAWING AND ITS CONTENTS ARE CONFIDENTIAL AND THE EXCLUSIVE PROPERTY OF HUBBELL POWER SYSTEMS. NO PUBLICATION, DISTRIBUTION, OR COPIES MAY BE MADE WITHOUT THE WRITTEN CONSENT OF HUBBELL POWER SYSTEMS. HUBBELL POWER SYSTEMS UNPUBLISHED ALL RIGHTS RESERVED UNDER THE COPYRIGHT LAWS.		TITLE WIREHOLDER, PIPE MOUNTED	
SIZE B	CAT / PART / ASSY NO. C2070076	DWG NO. SAC2070076	REV C
DO NOT SCALE THIS DRAWING	DRN BY HOEK	DATE 12/12/22	SHEET 1 OF 1