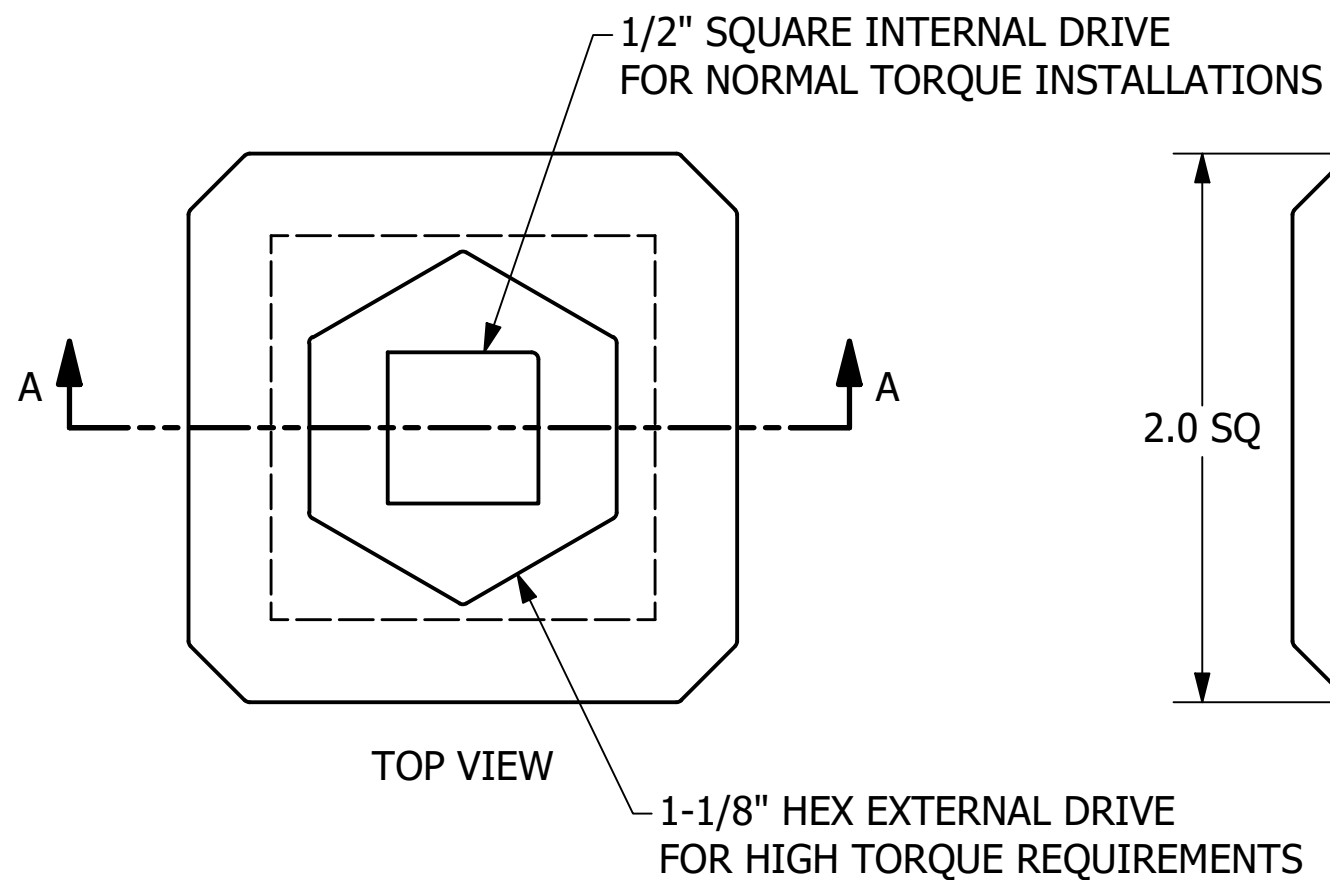
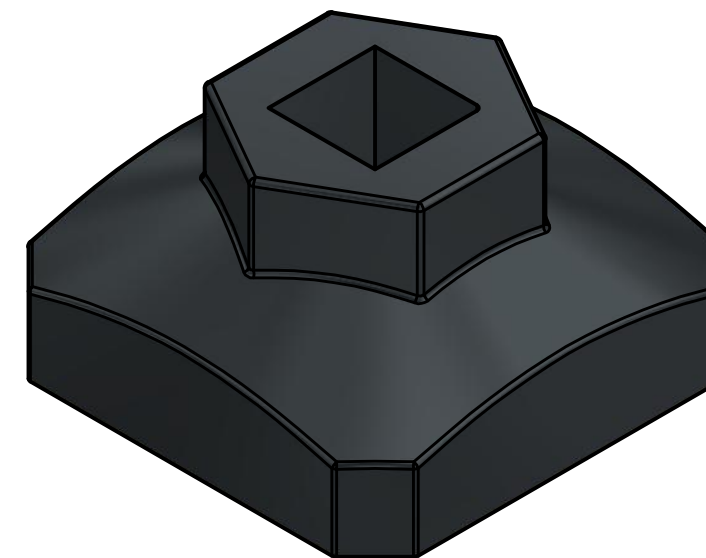
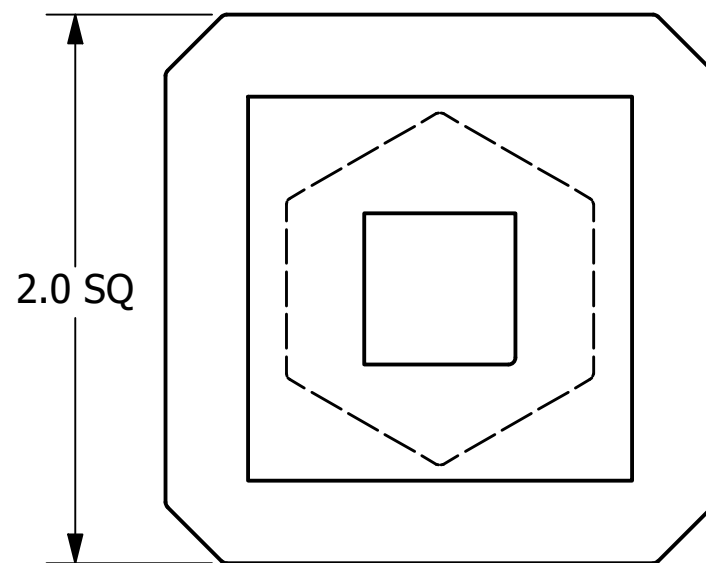


SECTION A-A



TOP VIEW



BOTTOM VIEW

- NOTES-
1. USED WITH NYLON SCREW TYPE WIRE HOLDERS
 2. COLOR: BLACK

CATALOG NUMBER: C2070143

| | | | |
|--|--|--|-----------------|
| CHANCE [®] | | HUBBELL [®] HUBBELL POWER SYSTEMS, INC. POWER SYSTEMS, INC. | |
| TITLE SERVICE WIRE HOLDER INSTALL TOOL | | | |
| SIZE B | CAT / PART / ASSY NO. C2070143 | DWG NO. SAC2070143 | REV B |
| DO NOT SCALE THIS DRAWING | DRN BY HOEK | DATE 4/16/20 | SHEET 1 OF 1 |

CONFIDENTIAL: THIS DRAWING AND ITS CONTENTS ARE CONFIDENTIAL AND THE EXCLUSIVE PROPERTY OF HUBBELL POWER SYSTEMS. NO PUBLICATION, DISTRIBUTION, OR COPIES MAY BE MADE WITHOUT THE WRITTEN CONSENT OF HUBBELL POWER SYSTEMS. HUBBELL POWER SYSTEMS UNPUBLISHED ALL RIGHTS RESERVED UNDER THE COPYRIGHT LAWS.