

4

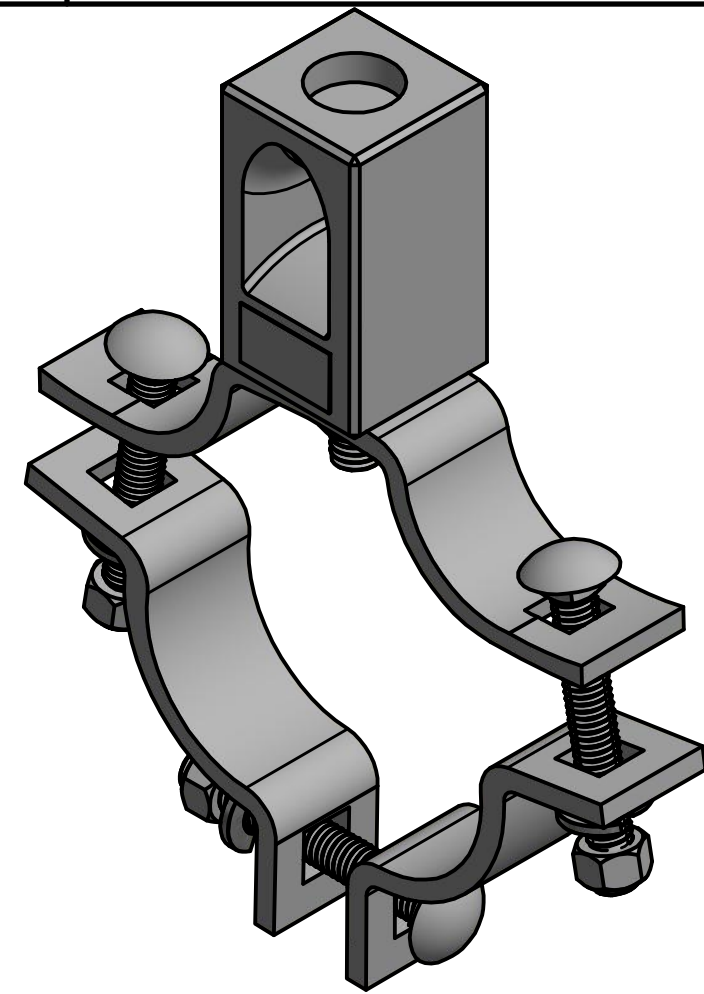
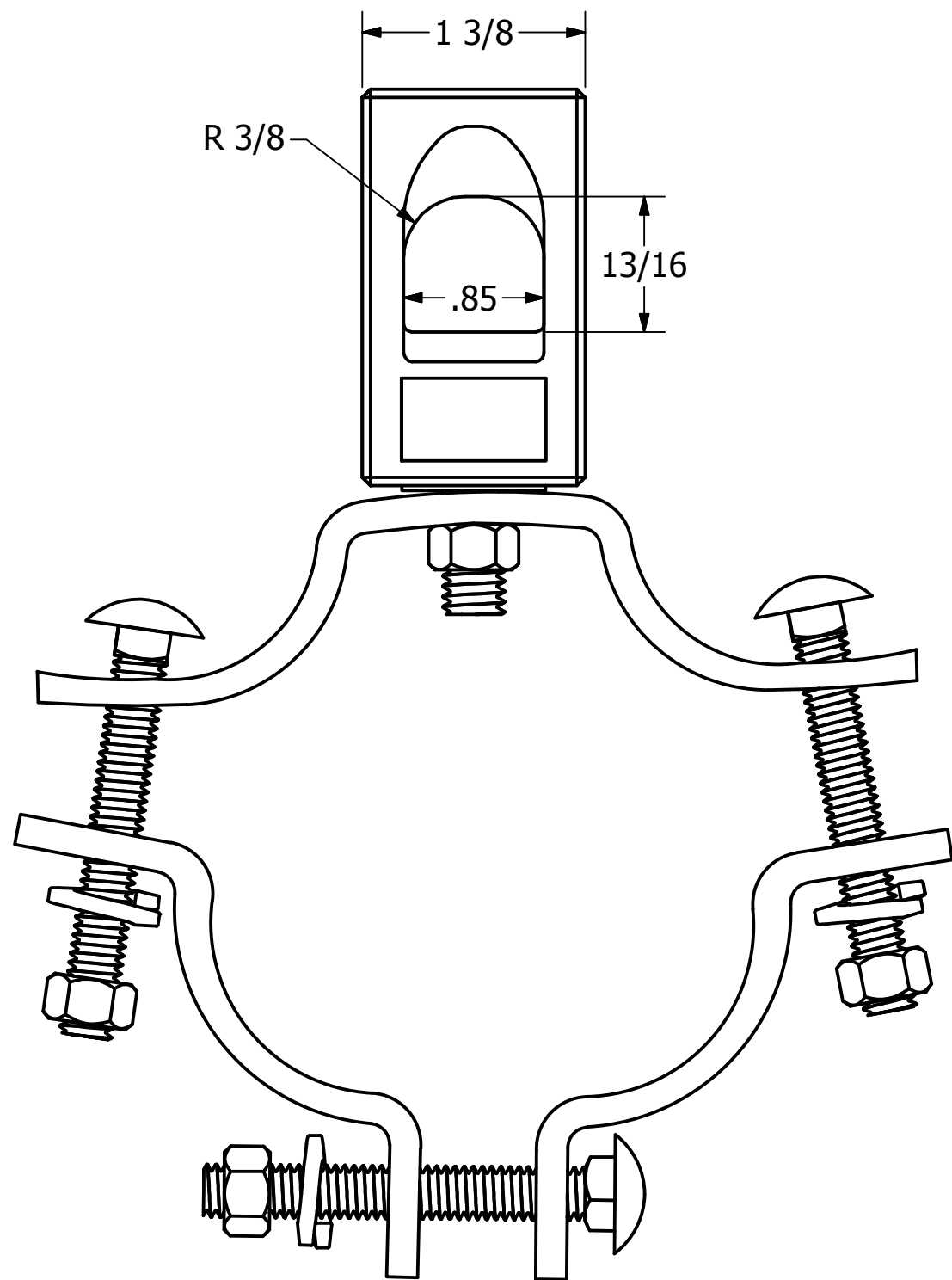
3

2

1

=NOTES=

- 1. BRACKET PORTION OF WIREHOLDER TO BE 3/16" X 1" STEEL GALVANIZED PER ASTM A-153.
- 2. BRACKET FITS 3" TO 4" DIA. PIPE SIZE.



CATALOG NUMBER	NYLON COLOR
C2070145	BLACK
C2070145G	GREY

CHANCE®



HUBBELL POWER SYSTEMS, INC.

TITLE
WIREHOLDER, PIPE MOUNTED

CONFIDENTIAL: THIS DRAWING AND ITS CONTENTS ARE CONFIDENTIAL AND THE EXCLUSIVE PROPERTY OF HUBBELL POWER SYSTEMS. NO PUBLICATION, DISTRIBUTION, OR COPIES MAY BE MADE WITHOUT THE WRITTEN CONSENT OF HUBBELL POWER SYSTEMS. HUBBELL POWER SYSTEMS UNPUBLISHED ALL RIGHTS RESERVED UNDER THE COPYRIGHT LAWS.

SIZE B	CAT / PART / ASSY NO. SEE TABLE	DWG NO. SAC2070145G	REV A
DO NOT SCALE THIS DRAWING	DRN BY TLB	DATE 2/15/19	SHEET 1 OF 1

4

3

2

1