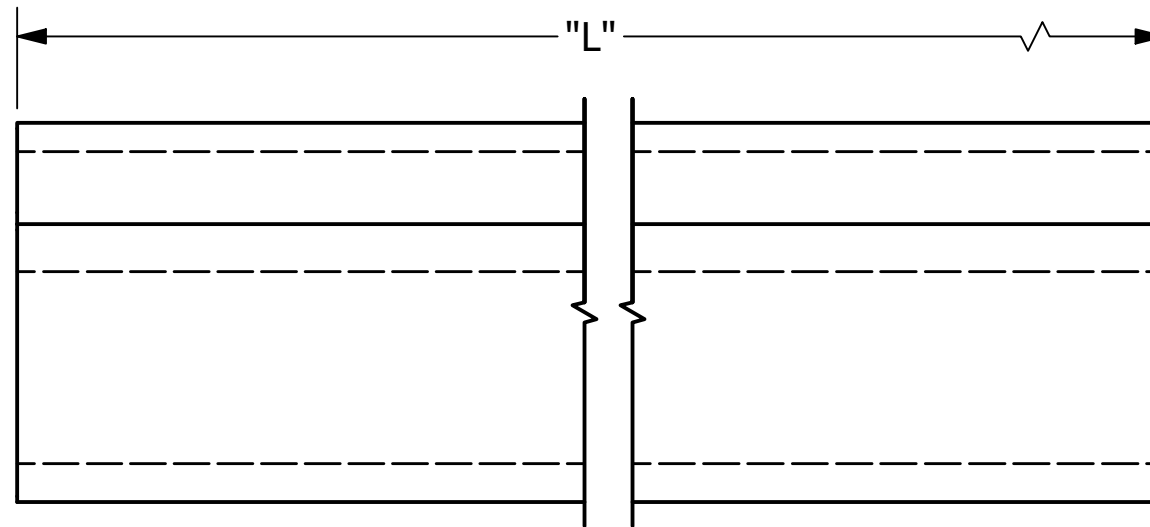
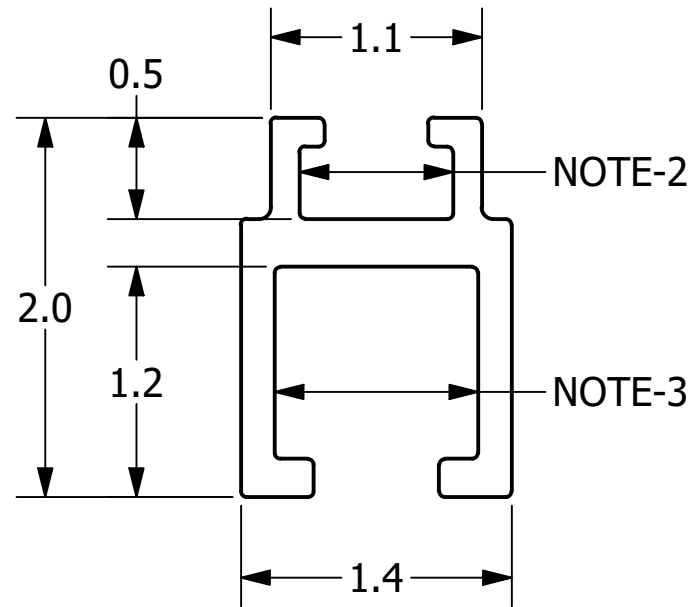
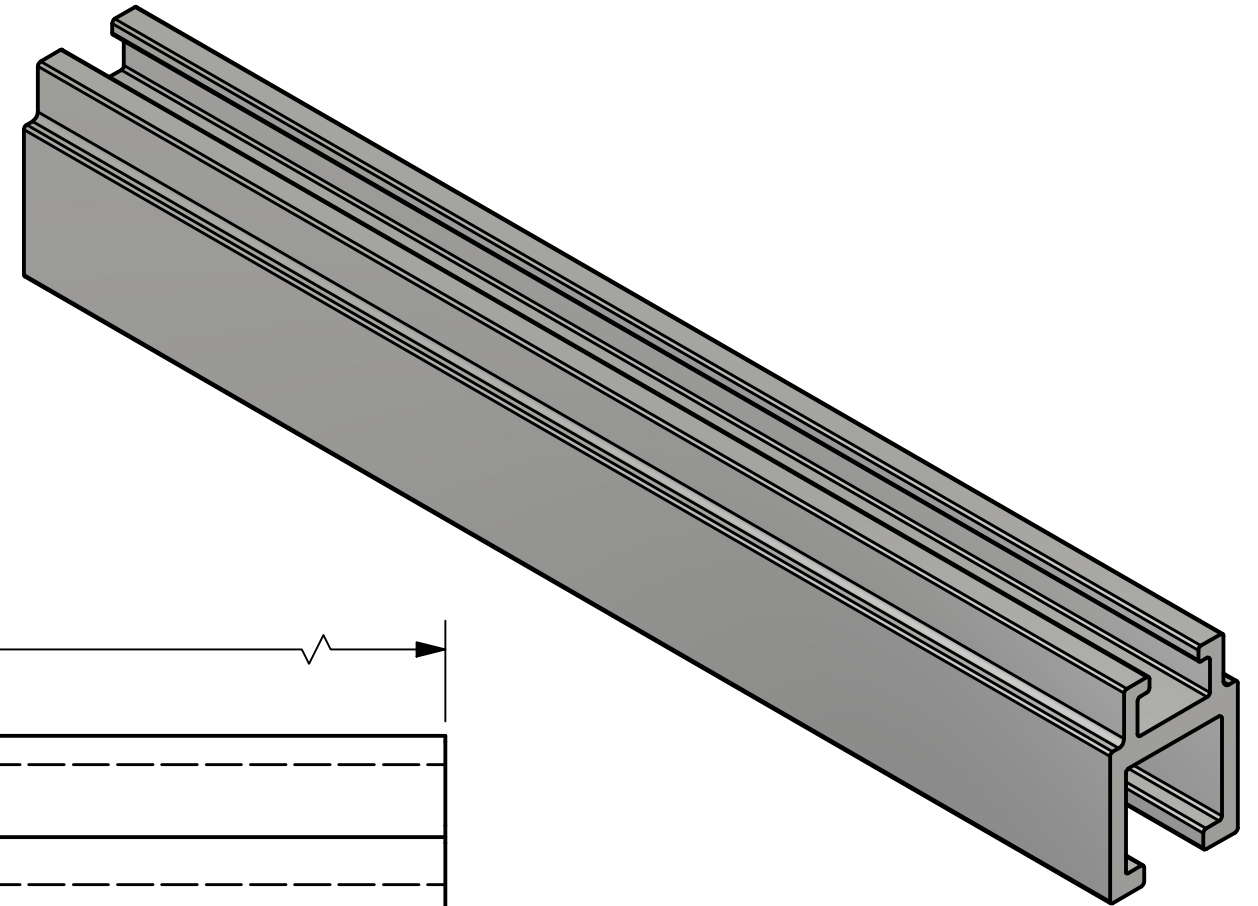


-NOTES-

1. MATERIAL: 6061-T6 ALUMINUM
2. TOP CHANNEL SIZED TO FIT A 1/2" BOLT HEAD
3. BOTTOM CHANNEL SIZED TO FIT A 5/8" NUT OR BOLT HEAD



CATALOG NUMBER	"L"
C2WT12	12.0
C2WT20	20.0
C2WT24	24.0
C2WT36	36.0
C2WT48	48.0
C2WT60	60.0
C2WT120	120.0

CHANCE [®]	HUBBELL POWER SYSTEMS, INC.			
	TITLE T-SLOT 2 WAY			
CONFIDENTIAL: THIS DRAWING AND ITS CONTENTS ARE CONFIDENTIAL AND THE EXCLUSIVE PROPERTY OF HUBBELL POWER SYSTEMS. NO PUBLICATION, DISTRIBUTION, OR COPIES MAY BE MADE WITHOUT THE WRITTEN CONSENT OF HUBBELL POWER SYSTEMS. HUBBELL POWER SYSTEMS UNPUBLISHED ALL RIGHTS RESERVED UNDER THE COPYRIGHT LAWS.	SIZE B	CAT / PART / ASSY NO. SEE CHART	DWG NO. SAC2WT12	REV B
	DO NOT SCALE THIS DRAWING	DRN BY HOEK	DATE 11/1/23	SHEET 1 OF 1