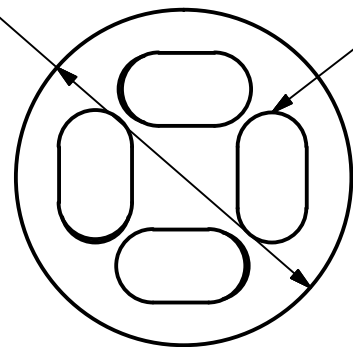
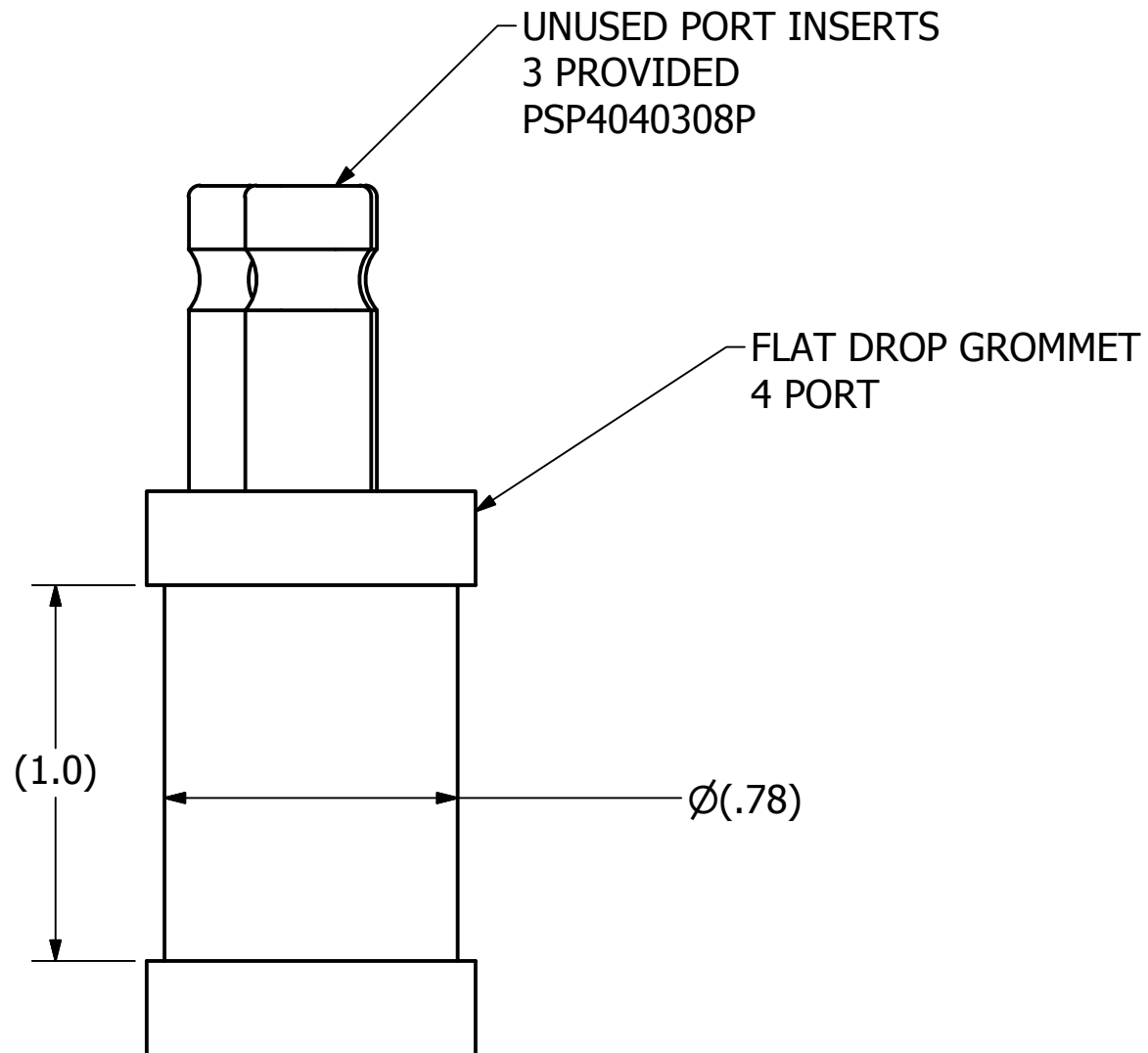


(Ø.88)



Ø.19 X .16 SLOT REF  
4X

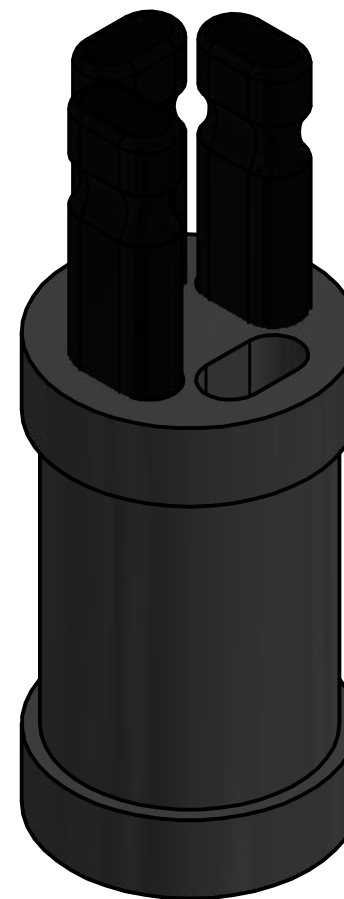
UNUSED PORT INSERTS  
3 PROVIDED  
PSP4040308P




FLAT DROP GROMMET  
4 PORT

-NOTES-

1. GROMMET MAT'L: POURED URETHANE
2. GROMMET IS FOR 570 AND 790 CLOSURES ONLY.
3. FOR GROMMET SERIES 570 CLOSURES, USE ONLY IN SMALL PORTS
4. FOR STANDARD CLOSURES, USE PROVIDED TAPE GAGE TO DETERMINE NUMBER OF RINGS TO REMOVE.
5. GROMMET PROVIDED WITH 1 OZ. TUBE OF SILICONE RUBBER FOR SEALING IN CLOSURE.



<b>CHANCE</b> <sup>®</sup>	 <b>HUBBELL</b> <sup>®</sup> HUBBELL POWER SYSTEMS, INC.		
	TITLE <b>4 PORT FLAT DROP 570 AND 790 SERIES</b>		
CONFIDENTIAL: THIS DRAWING AND ITS CONTENTS ARE CONFIDENTIAL AND THE EXCLUSIVE PROPERTY OF HUBBELL POWER SYSTEMS. NO PUBLICATION, DISTRIBUTION, OR COPIES MAY BE MADE WITHOUT THE WRITTEN CONSENT OF HUBBELL POWER SYSTEMS. HUBBELL POWER SYSTEMS UNPUBLISHED ALL RIGHTS RESERVED UNDER THE COPYRIGHT LAWS.	SIZE <b>B</b>	CAT / PART / ASSY NO. <b>PSC4040353</b>	DWG NO. <b>SAC4040353</b>
	DO NOT SCALE THIS DRAWING	DRN BY GKT	DATE 2/28/19
			REV <b>A</b>
			SHEET 1 OF 1