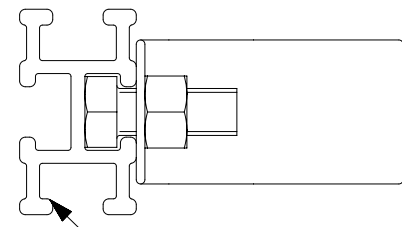


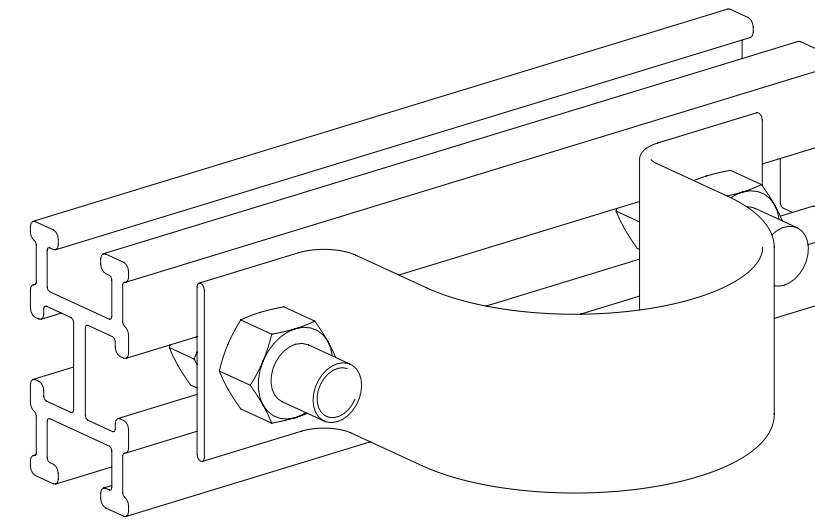
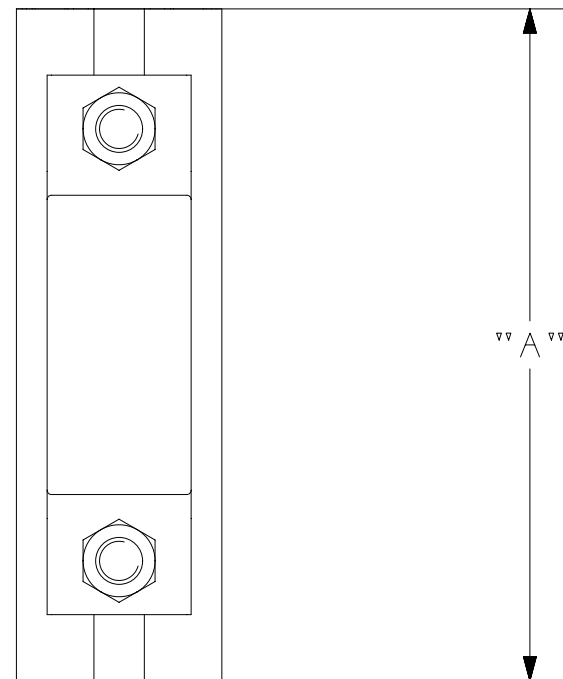
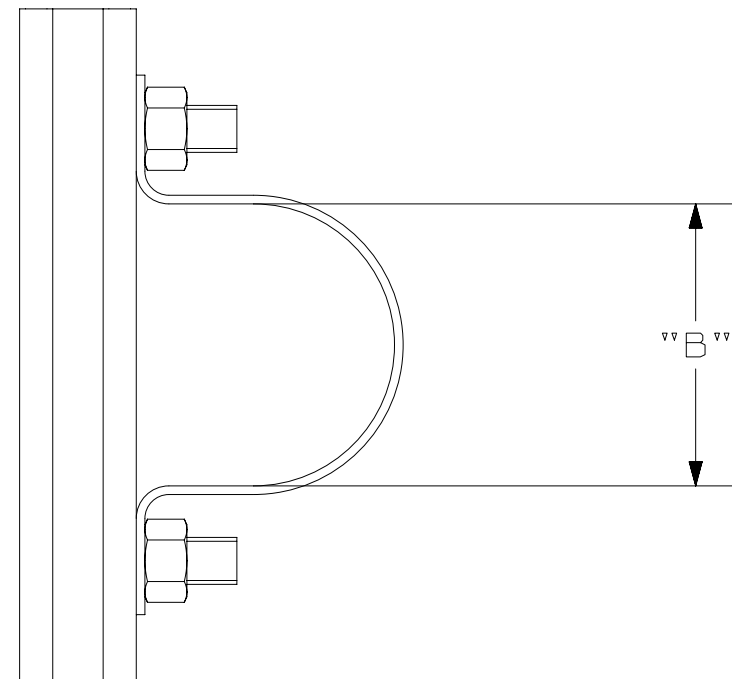
NOTES:

- 1.) MATERIAL: 6061 ALUMINUM
- 2.) ASSEMBLED COMPLETE AS SHOWN.



4-WAY T-SLOT ACCOMODATES  
1/2" HEX HEAD BOLTS.

CATALOG NUMBER	"A"	"B"	NOM. CONDUIT SIZE
C4WT7STK2	7"	27/16"	2"
C4WT7STK25	7"	215/16"	2 1/2"
C4WT7STK4	7"	49/16"	4"
C4WT9STK5	9"	55/8"	5"
C4WT10STK6	10"	6 1/16"	6"



LATEST EC NO:		REV.	DATE	CHANGED BY	RESP ENGINEER
-----		-	-----	-----	-----
				DO NOT SCALE THIS DWG	THIRD ANGLE PROJECTION ISO DUAL DIMENSIONS IN=INCH, MM=MILLIMETER
DRN BY:	DATE	TITLE:			SIZE
JUL	11-28-12	CONDUIT BRACKET			C
				DWG NO: SAC4WT7STK2	

CONFIDENTIAL: THIS DRAWING AND ITS CONTENTS ARE CONFIDENTIAL AND THE EXCLUSIVE PROPERTY OF HUBBELL POWER SYSTEMS, INC. NO PUBLICATION, DISTRIBUTION OR COPIES MAY BE MADE WITHOUT WRITTEN CONSENT BY HUBBELL POWER SYSTEMS, INC.  
 © 2012 HUBBELL POWER SYSTEMS. UNPUBLISHED. ALL RIGHTS RESERVED UNDER THE COPYRIGHT LAWS