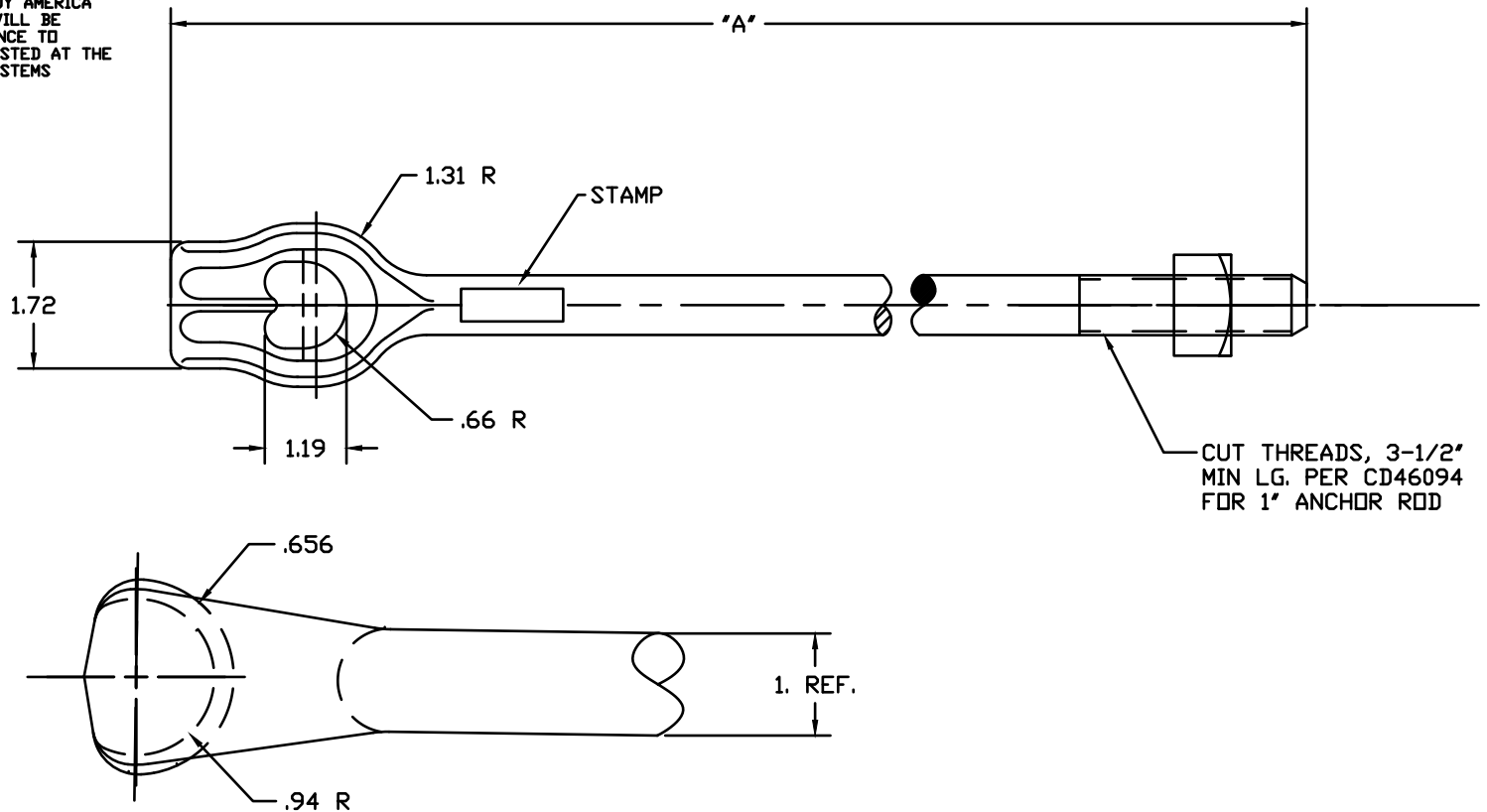



NOTES

1. HOT DIP GALVANIZED PER ASTM SPEC. A153 (LATEST REVISION)
2. .31 R GROOVES MUST BE TRIMMED SMOOTH
3. MIN. STRENGTH 36,000 LBS PER ANSI C135.2 (LATEST REVISION)
4. ADD USA SUFFIX TO CATALOG NUMBER FOR BUY AMERICA ITEMS. PURCHASERS OF BUY AMERICA ITEMS WILL BE PROVIDED A DATED CERTIFICATE OF COMPLIANCE TO SPECIFIC BUY AMERICA PROVISIONS IF REQUESTED AT THE TIME OF ORDER. CONTACT HUBBELL POWER SYSTEMS CUSTOMER SERVICE FOR DETAILS.



CAT. NO.	DESCRIPTION	"A"	STAMP
C5368	THREADED TWINEYE ROD	8'-0"	C-1-8
C5369	THREADED TWINEYE ROD	9'-0"	C-1-9
C5370	THREADED TWINEYE ROD	10'-0"	C-1-10

CHANCE		 HUBBELL POWER SYSTEMS	
<small>CONFIDENTIAL: THIS DRAWING AND ITS CONTENTS ARE CONFIDENTIAL AND THE EXCLUSIVE PROPERTY OF HUBBELL POWER SYSTEMS. NO PUBLICATION, DISTRIBUTION OR COPIES MAY BE MADE WITHOUT THE WRITTEN CONSENT OF HUBBELL POWER SYSTEMS. HUBBELL POWER SYSTEMS UNPUBLISHED ALL RIGHTS RESERVED UNDER THE COPYRIGHT LAWS.</small>		TWINEYE THREADED ROD	
		<small>SIZE</small> SB <small>DWG NO.</small> SAC5368	<small>CAT/PART/ASSY NO.</small> SEE CHART
<small>DO NOT SCALE THIS DRAWING</small>	<small>DRN BY</small> MRG	<small>DATE</small> 12/20/18	<small>SHEET</small> 1/1