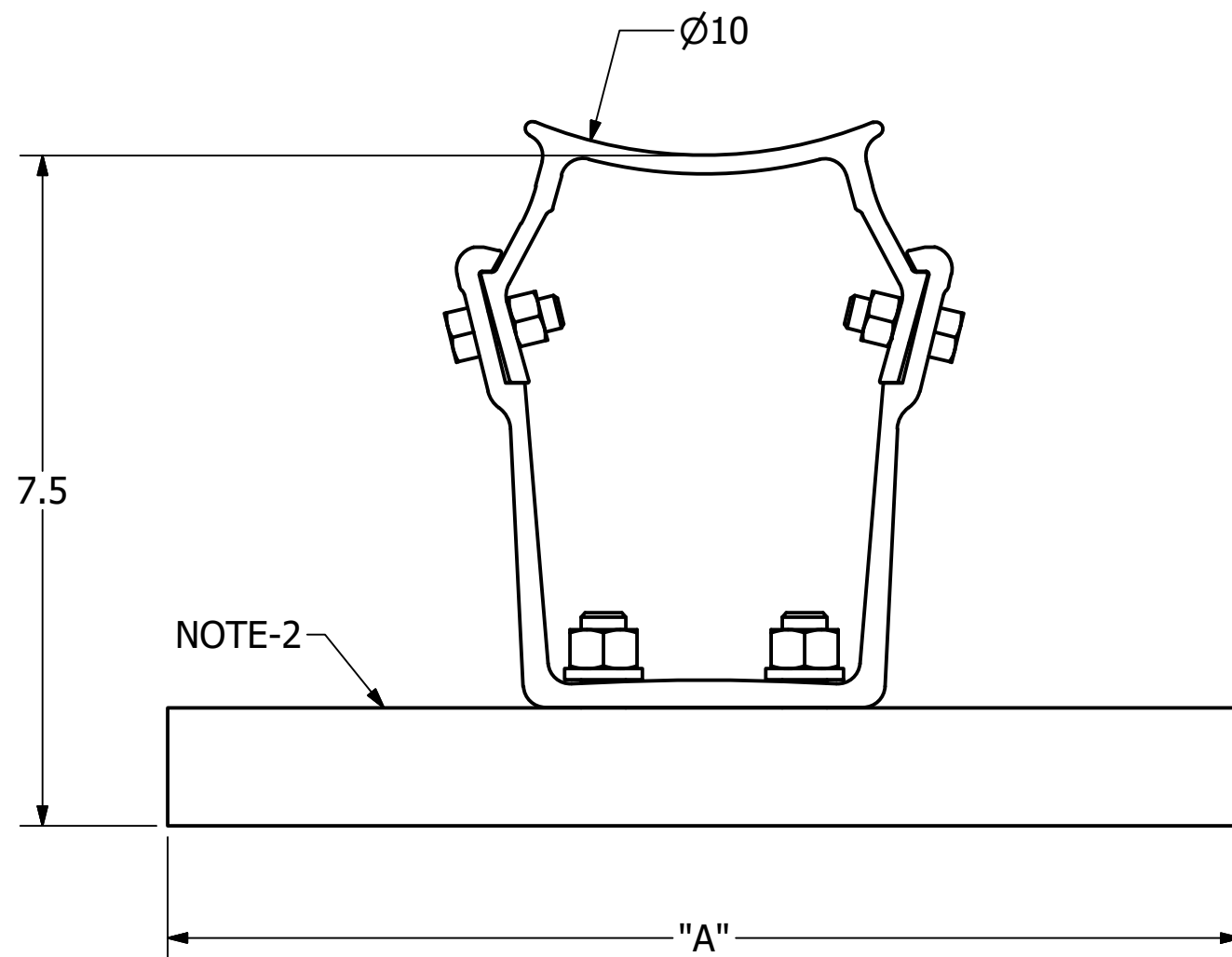
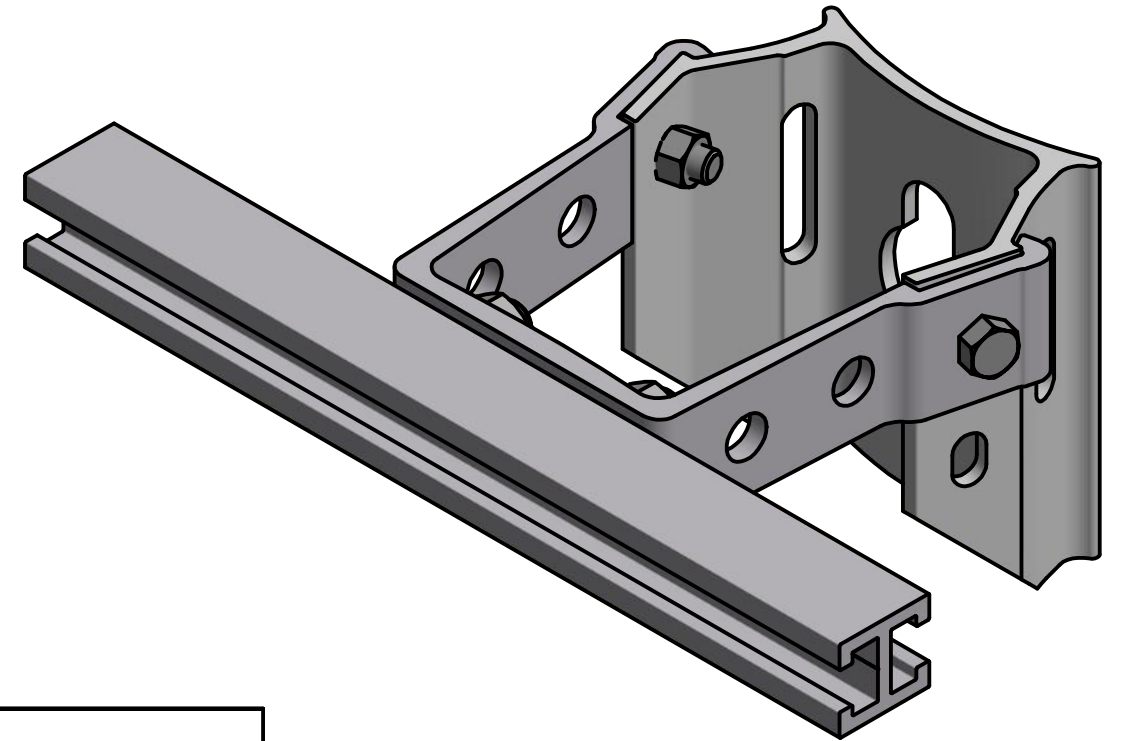
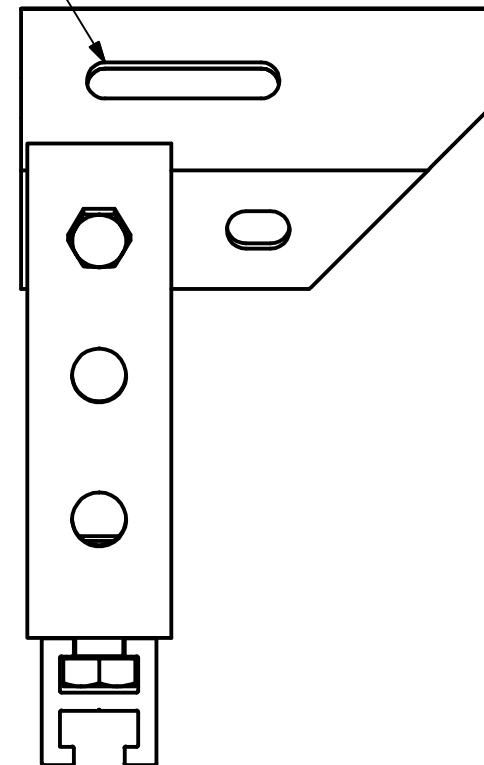


- NOTES-
1. BRACKET MATERIAL: ALUMINUM.  
HARDWARE MATERIAL: GALVANIZED STEEL.
  2. H-BAR NOT INCLUDED WITH CATALOG NUMBER C6BCSO



2.0" X .4" SLOT FOR BANDING



CATALOG NUMBER	"A"
C6BCSO	N/A
C6BCSO6	6"
C6BCSO12	12"
C6BCSO24	24"
C6BCSO36	36"

<b>CHANCE</b> <sup>®</sup>	<b>HUBBELL POWER SYSTEMS, INC.</b>			
	TITLE <b>BANDED CONDUIT BRACKET</b>			
CONFIDENTIAL: THIS DRAWING AND ITS CONTENTS ARE CONFIDENTIAL AND THE EXCLUSIVE PROPERTY OF HUBBELL POWER SYSTEMS. NO PUBLICATION, DISTRIBUTION, OR COPIES MAY BE MADE WITHOUT THE WRITTEN CONSENT OF HUBBELL POWER SYSTEMS. HUBBELL POWER SYSTEMS UNPUBLISHED ALL RIGHTS RESERVED UNDER THE COPYRIGHT LAWS.	SIZE <b>B</b>	CAT / PART / ASSY NO. <b>SEE CHART</b>	DWG NO. <b>SAC6BCSO12</b>	REV <b>A</b>
DO NOT SCALE THIS DRAWING	DRN BY HOEK	DATE 3/14/19	SHEET 1 OF 1	