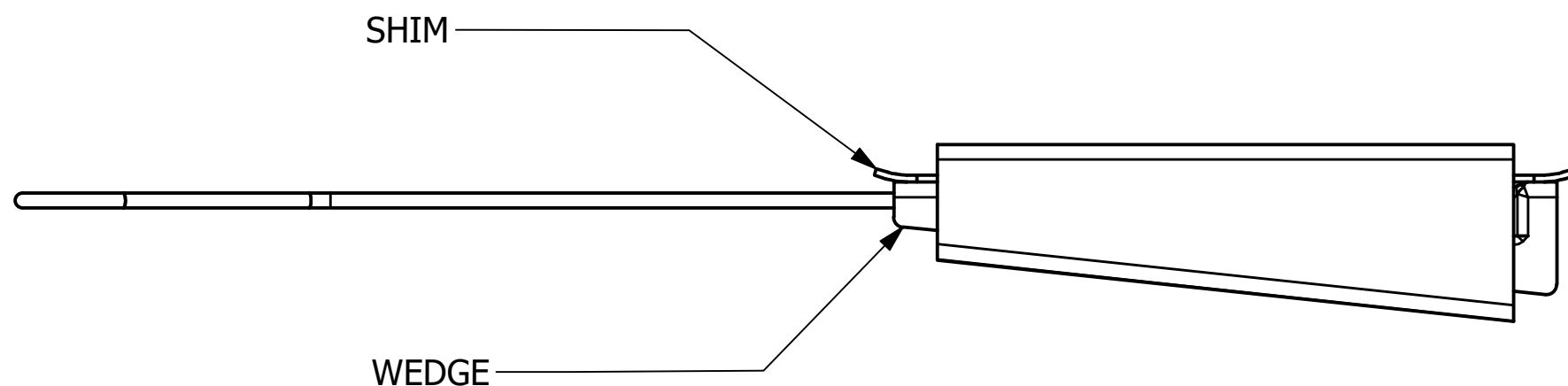
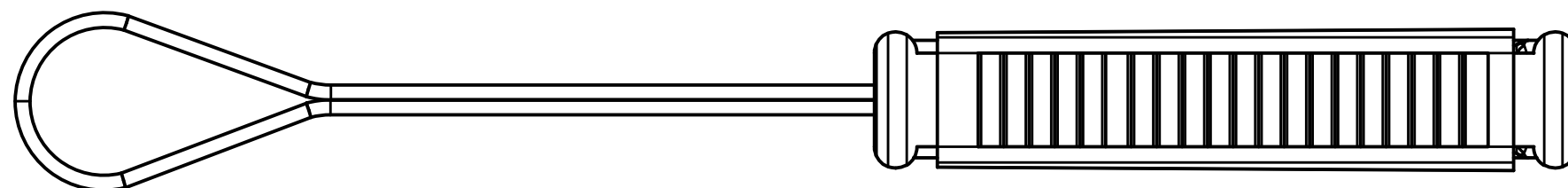
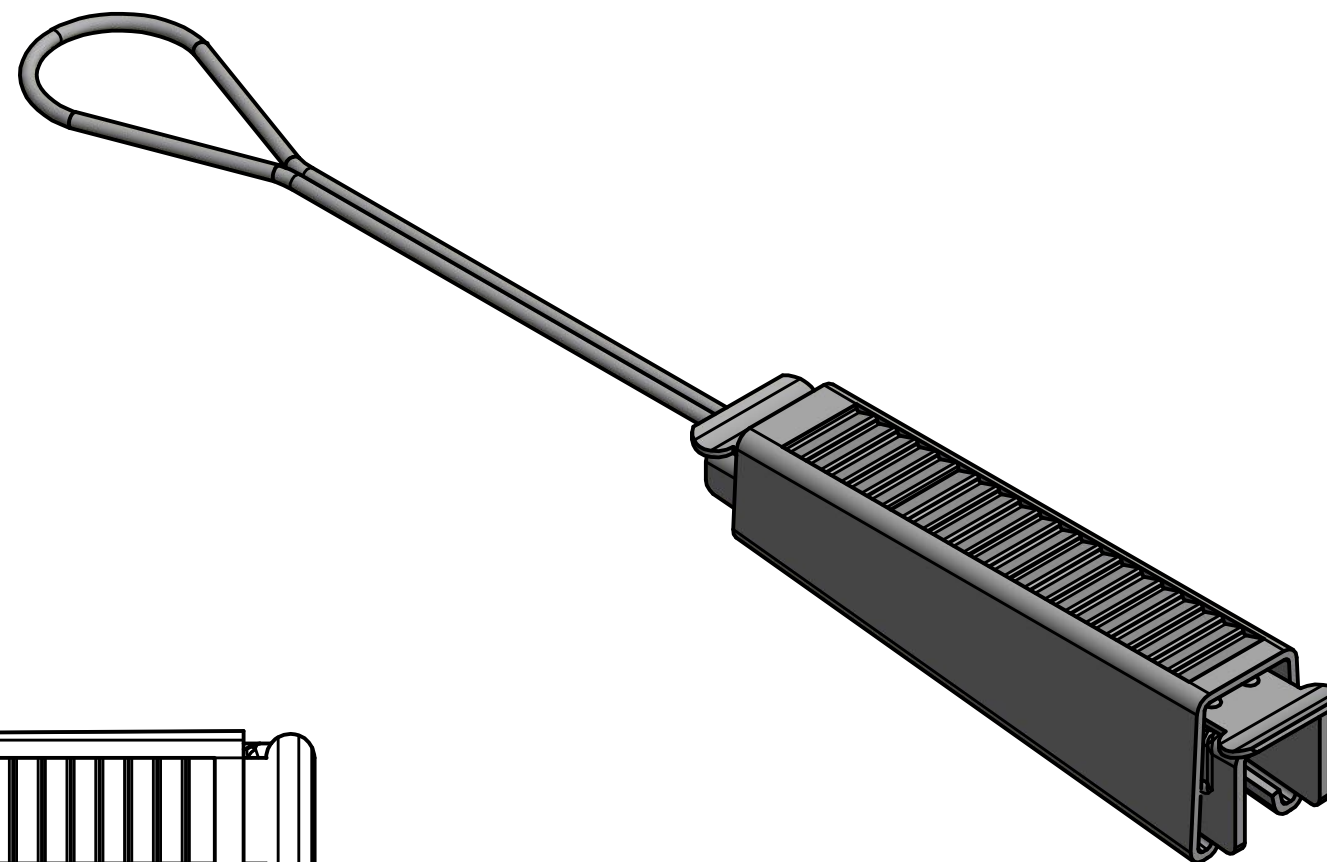



-NOTES-

1. USE TO ATTACH 6 PAIR TWISTED PAIR COPPER TELEPHONE DROP CABLE FROM THE POLE TO THE HOME/BUILDING.
2. ASSEMBLED COMPLETE AS SHOWN.
3. MEETS GR-3174.
4. CLAMP STRENGTH 800 lbs.
5. MATERIAL: STAINLESS STEEL



<p>CHANCE®</p> <p><small>CONFIDENTIAL: THIS DRAWING AND ITS CONTENTS ARE CONFIDENTIAL AND THE EXCLUSIVE PROPERTY OF HUBBELL POWER SYSTEMS. NO PUBLICATION, DISTRIBUTION, OR COPIES MAY BE MADE WITHOUT THE WRITTEN CONSENT OF HUBBELL POWER SYSTEMS. HUBBELL POWER SYSTEMS UNPUBLISHED ALL RIGHTS RESERVED UNDER THE COPYRIGHT LAWS.</small></p>		 <p>HUBBELL POWER SYSTEMS, INC.</p>	
		<p>TITLE</p> <p align="center">DROP CLAMP 6 PAIR</p>	
<p>SIZE</p> <p>B</p>	<p>CAT / PART / ASSY NO.</p> <p>C6PRSD</p>	<p>DWG NO.</p> <p>SAC6PRD</p>	<p>REV</p> <p>B</p>
<p>DO NOT SCALE THIS DRAWING</p>	<p>DRN BY SARGENT</p>	<p>DATE 06/02/2023</p>	<p>SHEET 1 OF 1</p>