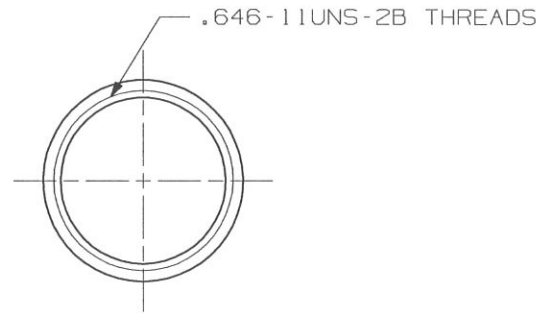
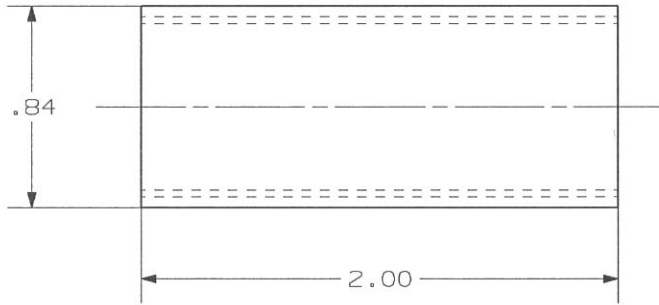


-NOTES-

1. MATERIAL: .50 NOMINAL PIPE SIZE SCHEDULE 80
(.84 O.D. X .147 WALL) BUTTWELD PIPE.
2. HOT DIP GALVANIZE PER ASTM A153 (LATESR REV.)



CATALOG NUMBER: 8611

LATEST EC NO:		REV.	DATE	CHANGED BY	RESP ENGINEER
---		-	-----	---	---
				DO NOT SCALE THIS DWG	THIRD ANGLE PROJECTION
				ISO DUAL DIMENSIONS IN=INCH, MM=MILLIMETER	
DRN BY:	DATE	TITLE:			
BERGER	10-16-12	SECTIONAL GROUND ROD COUPLING			
					SIZE B
				DWG NO: SAC8611	

CONFIDENTIAL: THIS DRAWING AND ITS CONTENTS ARE CONFIDENTIAL AND THE EXCLUSIVE PROPERTY OF HUBBELL POWER SYSTEMS, INC. NO PUBLICATION, DISTRIBUTION OR COPIES MAY BE MADE WITHOUT WRITTEN CONSENT BY HUBBELL POWER SYSTEMS, INC. © 2012 HUBBELL POWER SYSTEMS. UNPUBLISHED. ALL RIGHTS RESERVED UNDER THE COPYRIGHT LAWS