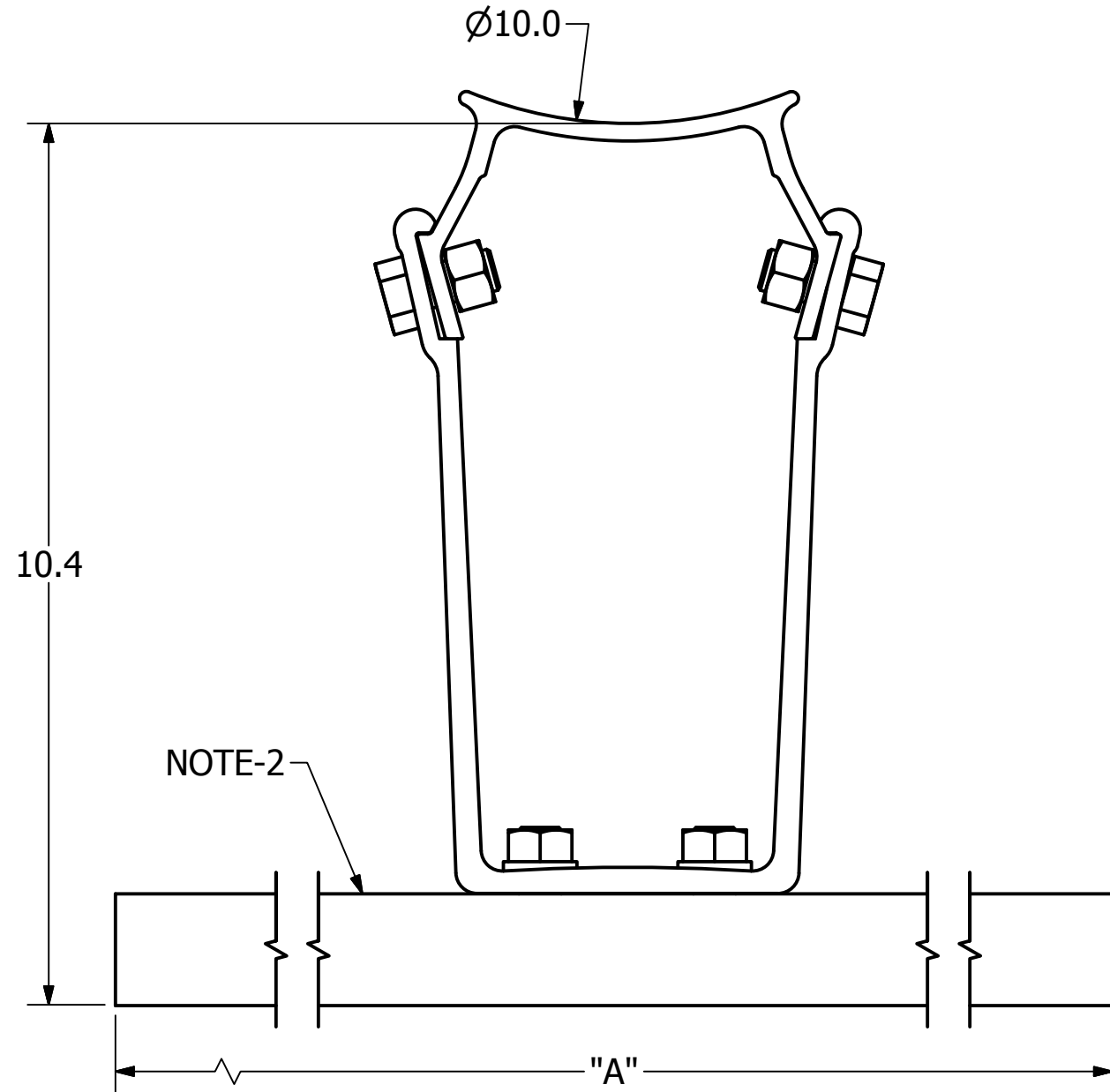
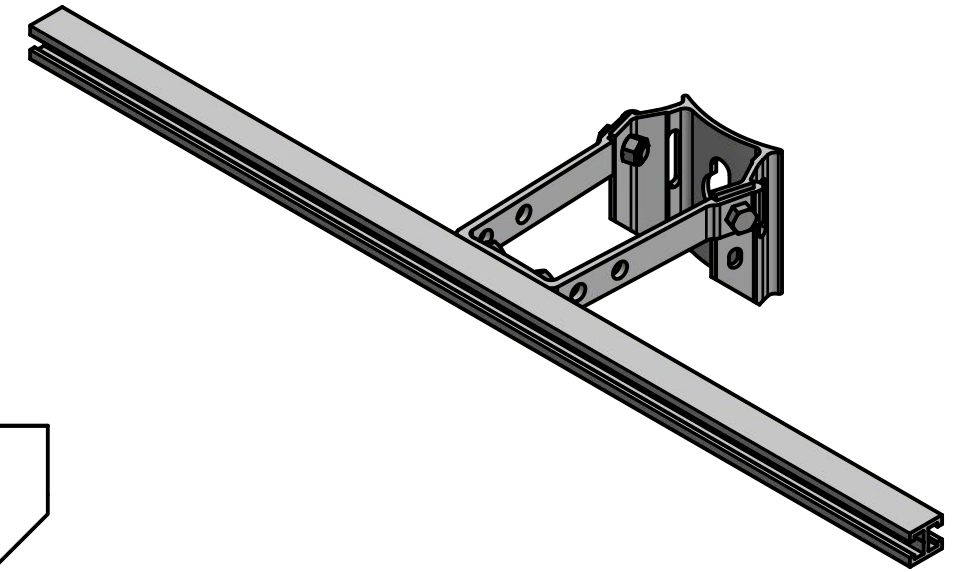
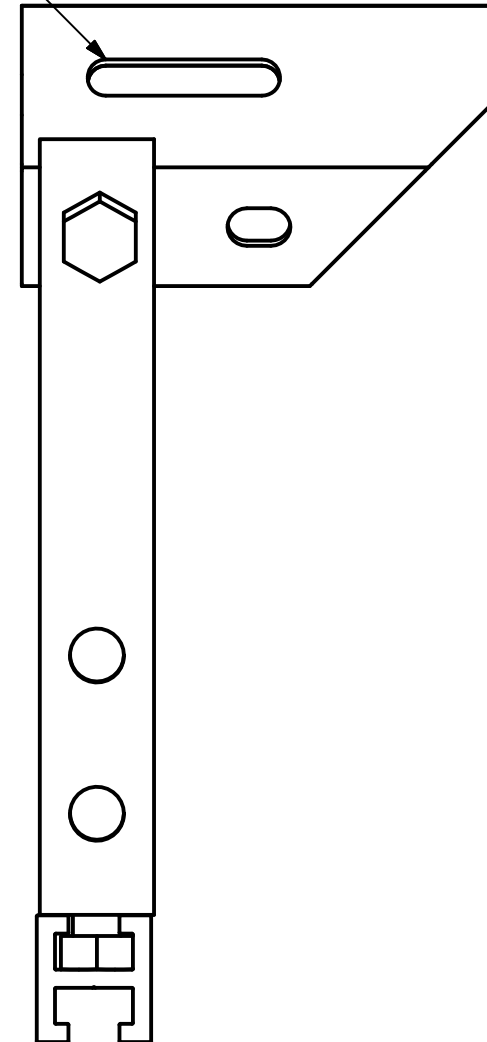


**NOTES**

- 1. BRACKET MATERIAL: ALUMINUM  
HARDWARE MATERIAL: GALVANIZED STEEL
- 2. H-BAR NOT INCLUDED WITH CATALOG NUMBER C9BCSO



2.0 X .4 SLOT FOR BANDING



CATALOG NUMBER	"A"
C9BCSO	N/A
C9BCSO12	12.0
C9BCSO24	24.0
C9BCSO36	36.0

<b>CHANCE</b> <sup>®</sup>	<b>HUBBELL</b> <sup>®</sup> POWER SYSTEMS, INC.												
	<b>BRACKET, CONDUIT STANDOFF</b>												
CONFIDENTIAL: THIS DRAWING AND ITS CONTENTS ARE CONFIDENTIAL AND THE EXCLUSIVE PROPERTY OF HUBBELL POWER SYSTEMS. NO PUBLICATION, DISTRIBUTION, OR COPIES MAY BE MADE WITHOUT THE WRITTEN CONSENT OF HUBBELL POWER SYSTEMS. HUBBELL POWER SYSTEMS UNPUBLISHED ALL RIGHTS RESERVED UNDER THE COPYRIGHT LAWS.	<table border="1" style="width: 100%; border-collapse: collapse;"> <tr> <td style="font-size: x-small;">SIZE</td> <td style="font-size: x-small;">CAT / PART / ASSY NO.</td> <td style="font-size: x-small;">DWG NO.</td> <td style="font-size: x-small;">REV</td> </tr> <tr> <td style="text-align: center;"><b>B</b></td> <td style="text-align: center;"><b>SEE CHART</b></td> <td style="text-align: center;"><b>SAC9BCSO12</b></td> <td style="text-align: center;"><b>A</b></td> </tr> <tr> <td style="font-size: x-small;">DO NOT SCALE THIS DRAWING</td> <td style="font-size: x-small;">DRN BY WILSON</td> <td style="font-size: x-small;">DATE 04/17/19</td> <td style="font-size: x-small;">SHEET 1 OF 1</td> </tr> </table>	SIZE	CAT / PART / ASSY NO.	DWG NO.	REV	<b>B</b>	<b>SEE CHART</b>	<b>SAC9BCSO12</b>	<b>A</b>	DO NOT SCALE THIS DRAWING	DRN BY WILSON	DATE 04/17/19	SHEET 1 OF 1
SIZE	CAT / PART / ASSY NO.	DWG NO.	REV										
<b>B</b>	<b>SEE CHART</b>	<b>SAC9BCSO12</b>	<b>A</b>										
DO NOT SCALE THIS DRAWING	DRN BY WILSON	DATE 04/17/19	SHEET 1 OF 1										