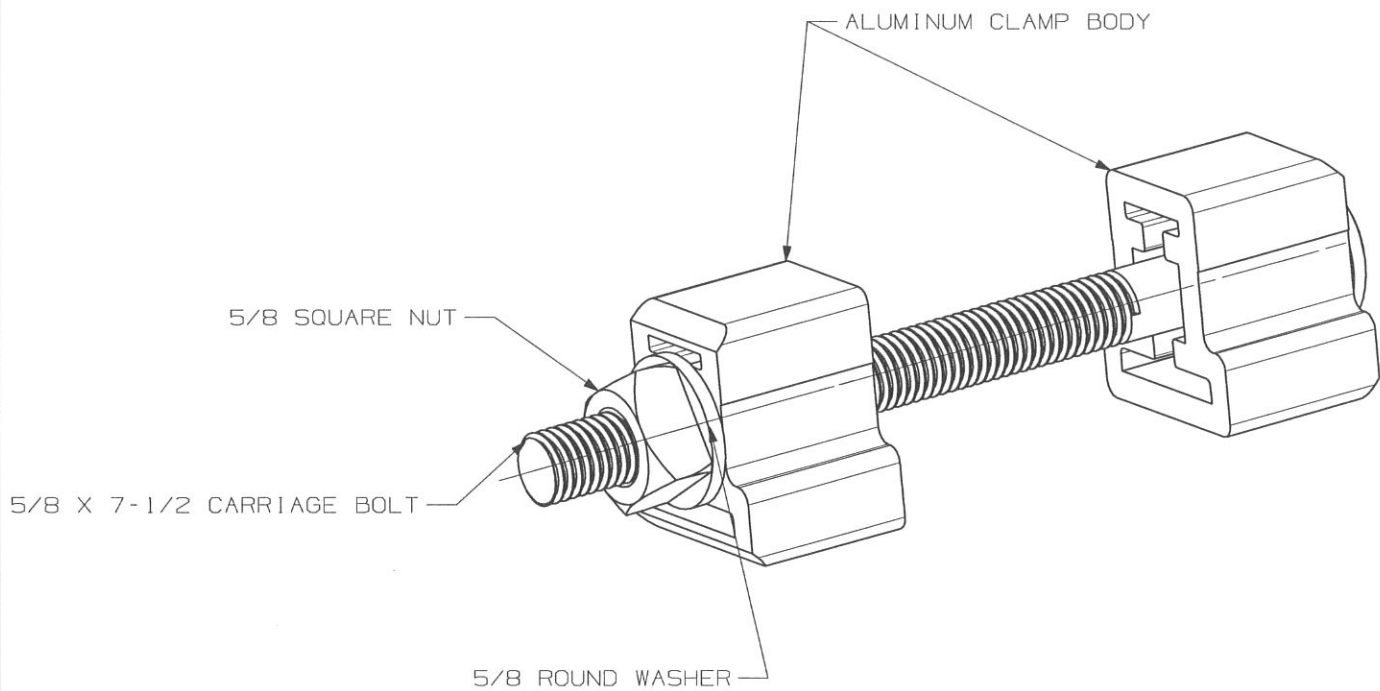


-NOTES-
 1. ASSEMBLE COMPLETE AS SHOWN



CATALOG NUMBER : CBAB38

LATEST EC NO:		REV.	DATE	CHANGED BY	RESP ENGINEER
---		-	-----	---	---
DRN BY: DATE				TITLE:	
BERGER		10-19-12		BANDING CLAMP	
HUBBELL POWER SYSTEMS				CHANCE	
CAE CAD CAM				DWG NO: SACBAB38	

DO NOT SCALE THIS DWG
 THIRD ANGLE PROJECTION
 ISO DUAL DIMENSIONS
 IN=INCH, MM=MILLIMETER

CONFIDENTIAL: THIS DRAWING AND ITS CONTENTS ARE CONFIDENTIAL AND THE EXCLUSIVE PROPERTY OF HUBBELL POWER SYSTEMS, INC. NO PUBLICATION, DISTRIBUTION OR COPIES MAY BE MADE WITHOUT WRITTEN CONSENT BY HUBBELL POWER SYSTEMS, INC.
 © 2012 HUBBELL POWER SYSTEMS. UNPUBLISHED. ALL RIGHTS RESERVED UNDER THE COPYRIGHT LAWS