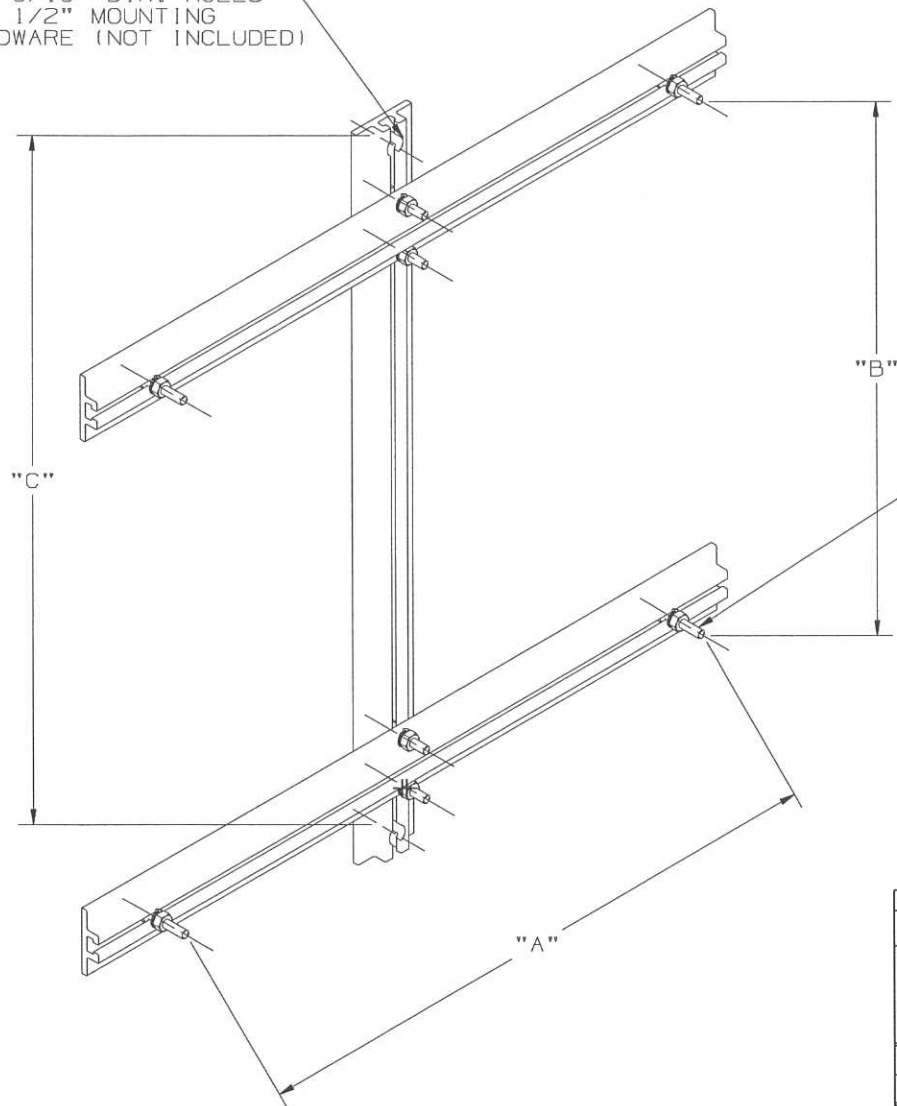


TWO 9/16" DIA. HOLES FOR 1/2" MOUNTING HARDWARE (NOT INCLUDED)



NOTES :

- 1.) ALL BRACKET MATERIAL IS ALUMINUM. BOLTS, NUTS & LOCKWASHERS ARE STAINLESS STEEL.
- 2.) BRACKETS ARE SHIPPED UNASSEMBLED. SEE INSTRUCTION SHEET FOR ASSEMBLY DETAILS.

1/4" MOUNTING HARDWARE INCLUDED WITH EACH BRACKET.

CATALOG NUMBER	DESCRIPTION	"A"	"B"	"C"
CCMB-8-12	CABINET MOUNTING BRACKET	1" TO 7-1/4"	2" TO 12"	15-1/8"
CCMB-12-18	CABINET MOUNTING BRACKET	1" TO 11-1/4"	2" TO 18"	21-1/8"
CCMB-12-54	CABINET MOUNTING BRACKET	1" TO 11-1/4"	2" TO 54"	57-1/8"
CCMB-16-24	CABINET MOUNTING BRACKET	1" TO 15-1/4"	2" TO 24"	27-1/8"
CCMB-18-30	CABINET MOUNTING BRACKET	1" TO 17-1/4"	2" TO 30"	33-1/8"
CCMB-18-34	CABINET MOUNTING BRACKET	1" TO 17-1/4"	2" TO 34"	37-1/8"
CCMB-18-44	CABINET MOUNTING BRACKET	1" TO 17-1/4"	2" TO 44"	47-1/8"
CCMB-18-54	CABINET MOUNTING BRACKET	1" TO 17-1/4"	2" TO 54"	57-1/8"

LATEST EC NO:		REV.	DATE	CHANGED BY	RESP ENGINEER
---		-	-----	---	---
				DO NOT SCALE THIS DWG	THIRD ANGLE PROJECTION ISO DUAL DIMENSIONS IN=INCH, MM=MILLIMETER
DRN BY:	DATE	TITLE:			SIZE
JUL	02-24-12	BRACKET, CABINET MOUNT			B
					DWG NO: SACCMB-8-12

CONFIDENTIAL: THIS DRAWING AND ITS CONTENTS ARE CONFIDENTIAL AND THE EXCLUSIVE PROPERTY OF HUBBELL / A.B. CHANCE COMPANY. NO PUBLICATION, DISTRIBUTION OR COPIES MAY BE MADE WITHOUT WRITTEN CONSENT BY HUBBELL / A.B. CHANCE COMPANY. © 2001 HUBBELL/A.B. CHANCE. UNPUBLISHED - ALL RIGHTS RESERVED UNDER THE COPYRIGHT LAWS