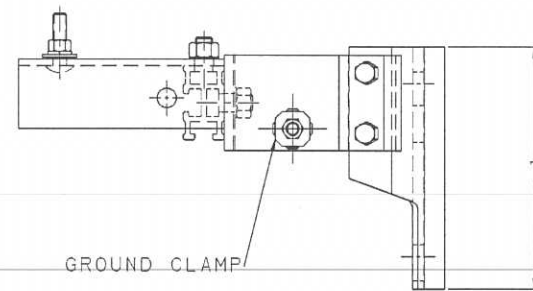
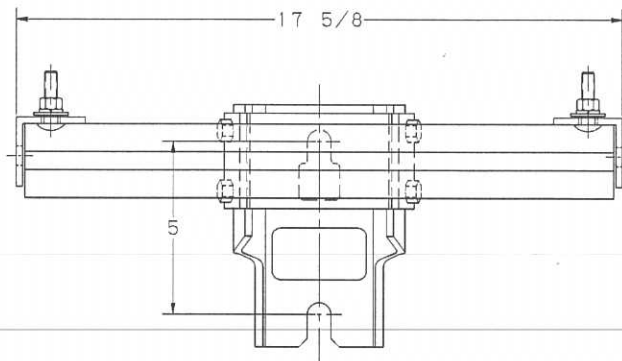
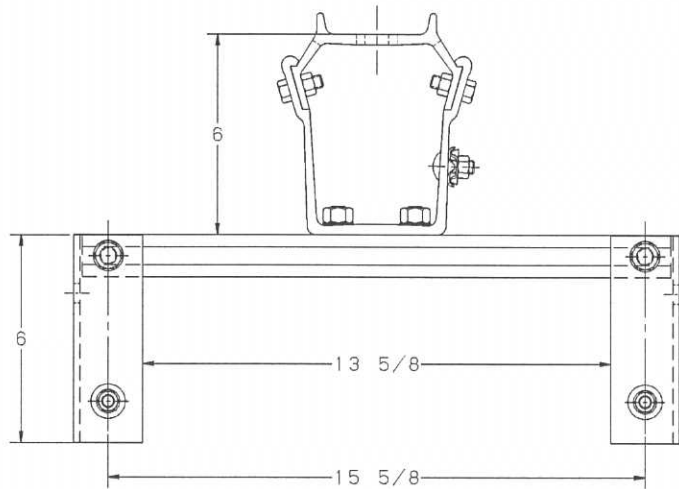


- NOTES -

1. ALL BRACKET MATERIAL IS ALUMINUM. BOLTS, NUTS AND WASHERS ARE GALVANIZED STEEL.
2. UNIT IS SUPPLIED ASSEMBLED FOR ONE CAPACITATOR.



LATEST EC NO:		REV.	DATE	CHANGED BY	RESP ENGINEER
01799		-	-----	---	HOYT
DO NOT SCALE THIS DWG					THIRD ANGLE PROJECTION
					ISO DUAL DIMENSIONS IN=INCH, MM=MILLIMETER
DRN BY:	DATE	TITLE:			SIZE
EPP:	6/29/00	RACK, CAPACITOR			C
		POWER SYSTEMS, INC.			DWG NO: SACCR-1

CONFIDENTIAL: THIS DRAWING AND ITS CONTENTS ARE CONFIDENTIAL AND THE EXCLUSIVE PROPERTY OF HUBBELL / A.B. CHANCE COMPANY. NO PUBLICATION, DISTRIBUTION OR COPIES MAY BE MADE WITHOUT WRITTEN CONSENT BY HUBBELL / A.B. CHANCE COMPANY. © 2000 HUBBELL/A.B. CHANCE. UNPUBLISHED - ALL RIGHTS RESERVED UNDER THE COPYRIGHT LAWS