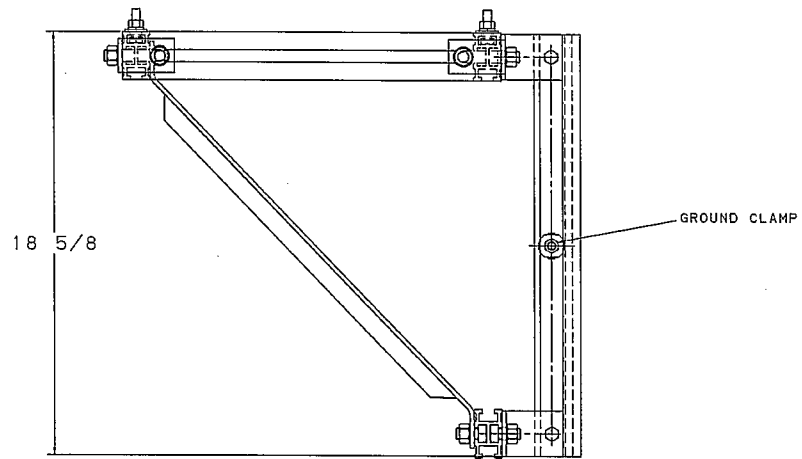
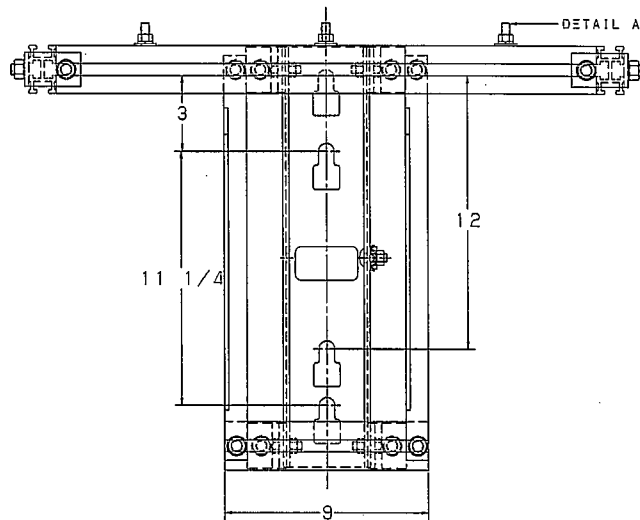
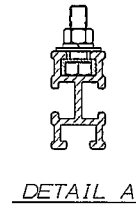
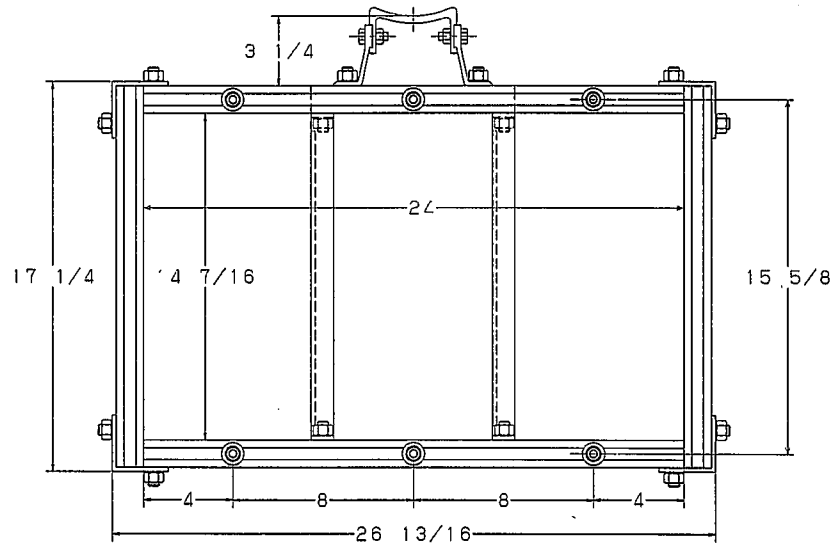


- NOTES -

1. ALL BRACKET MATERIAL IS ALUMINUM. BOLTS, NUTS AND WASHERS ARE GALVANIZED STEEL.
2. UNIT IS SUPPLIED ASSEMBLED FOR MOUNTING UP TO THREE CAPACITORS.
3. WHEN MOUNTING FEWER THAN THREE CAPACITORS, SPACE THE CAPACITORS TO GIVE LOAD BALANCE ON THE RACK.



LATEST EC NO:	REV:	DATE:	CHANGED BY:	REP ENGINEER:
01799	-	-----	---	HOYT
<small>DO NOT SCALE THIS DRAWING</small>				<small>THIS IS A FIRST ANGLE PROJECTION</small>
<small>ISO DUAL DIMENSIONS</small>				<small>1/8"=1" UNLESS OTHERWISE SPECIFIED</small>
<small>DRN BY:</small> DPE	<small>DATE:</small> 1/24/58	<small>TITLE:</small> RACK, CAPACITOR		<small>REV:</small> D
<small>HUBBELL POWER SYSTEMS, INC.</small>				<small>REV:</small> SACCR-3

ALL DRAWINGS AND THE CONTENTS ARE CONFIDENTIAL AND THE EXCLUSIVE PROPERTY OF HUBBELL / A. B. CHANCE COMPANY. NO PUBLICATION, DISTRIBUTION OR REPRODUCTION IS PERMITTED WITHOUT WRITTEN PERMISSION OF HUBBELL / A. B. CHANCE COMPANY. ALL RIGHTS RESERVED UNDER THE COPYRIGHT LAWS OF THE UNITED STATES OF AMERICA.