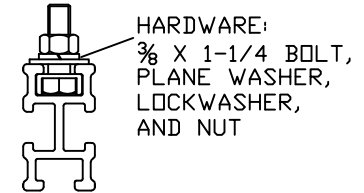
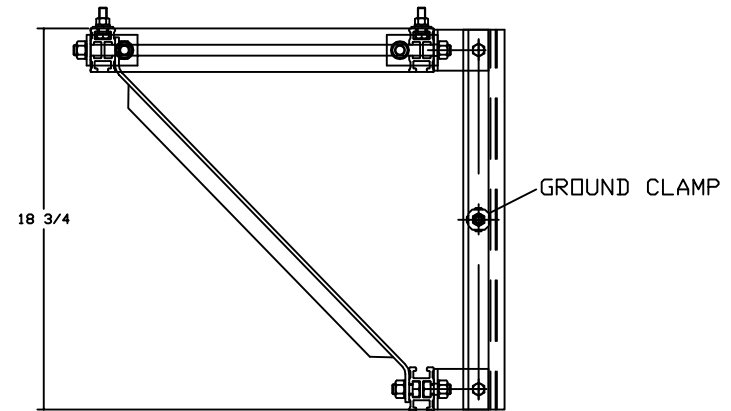
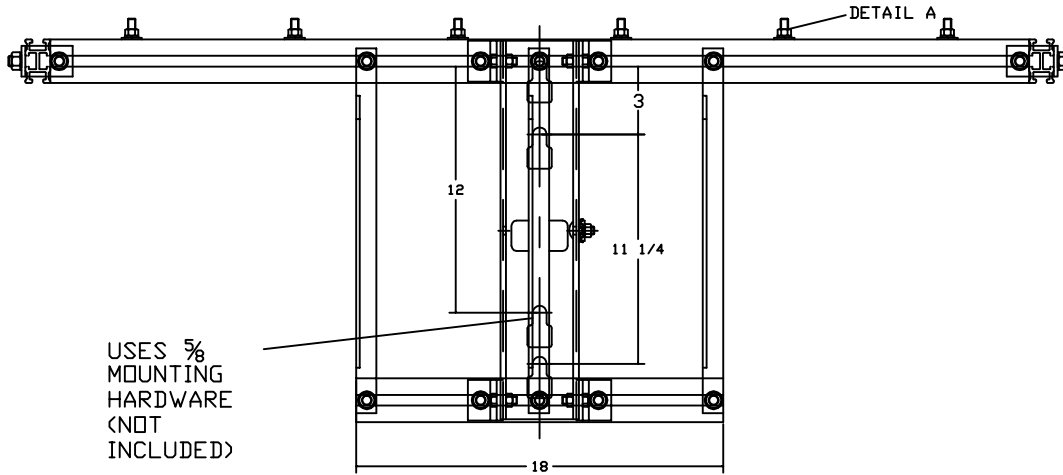



- NOTES -
1. ALL BRACKET MATERIAL IS 6061-T6 ALUMINUM. BOLTS, NUTS AND WASHERS ARE GALVANIZED STEEL.
 2. UNIT IS SUPPLIED ASSEMBLED FOR MOUNTING UP SIX CAPACITORS.
 3. WHEN MOUNTING FEWER THAN SIX CAPACITORS, SPACE THE CAPACITORS TO GIVE LOAD BALANCE ON THE RACK.



DETAIL A



CATALOG NO.: CCR6

CHANCE TOLERANCE CHART		 HUBBELL POWER SYSTEMS <small>POWER SYSTEMS, INC.</small>		
CONFIDENTIAL: THIS DRAWING AND ITS CONTENTS ARE CONFIDENTIAL AND THE EXCLUSIVE PROPERTY OF HUBBELL POWER SYSTEMS. NO PUBLICATION, DISTRIBUTION OR COPIES MAY BE MADE WITHOUT THE WRITTEN CONSENT OF HUBBELL POWER SYSTEMS. HUBBELL POWER SYSTEMS UNPUBLISHED ALL RIGHTS RESERVED UNDER THE COPYRIGHT LAWS.		TITLE CAPACITOR RACK		
SIZE	DWG NO.	CAT / PART / ASSY NO.	REV	
SB	SACCR-6	CCR6	B	
DO NOT SCALE THIS DRAWING	DRN BY DPE	DATE 06-29-00	SHEET 1 OF 1	