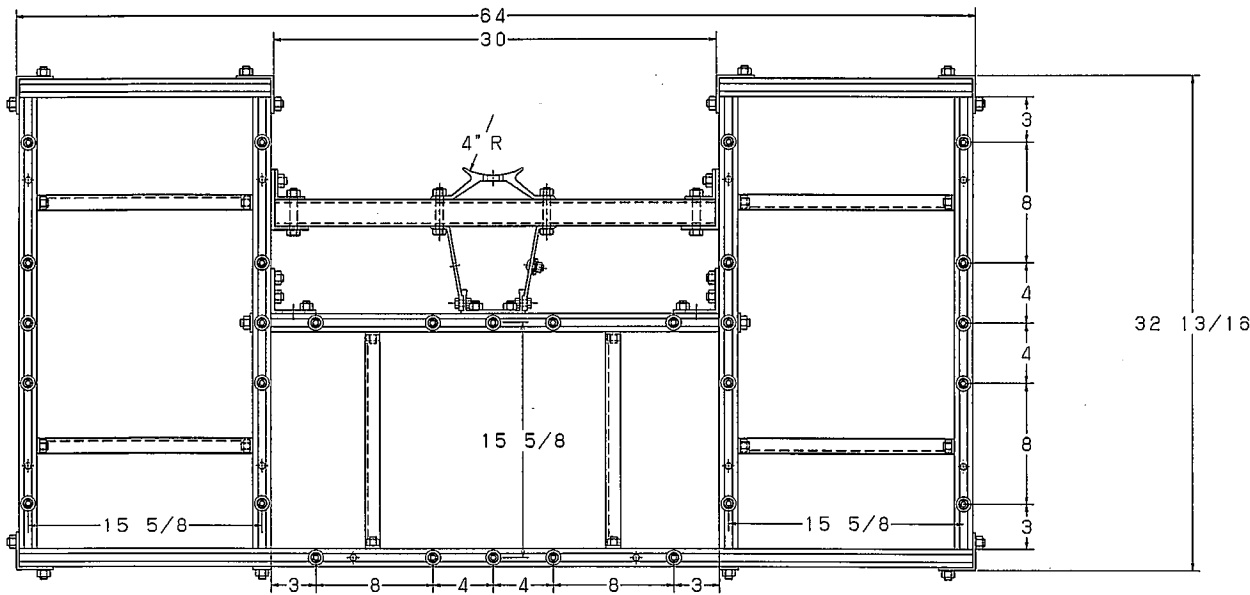
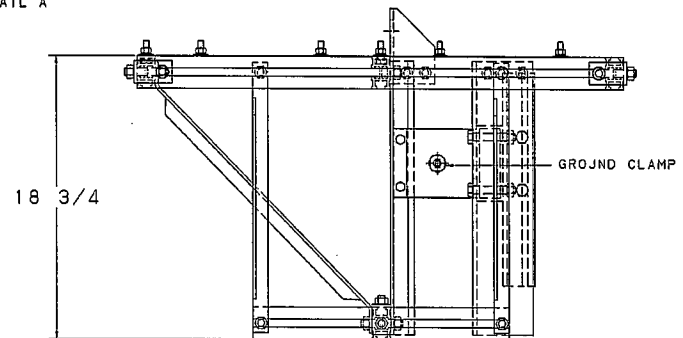
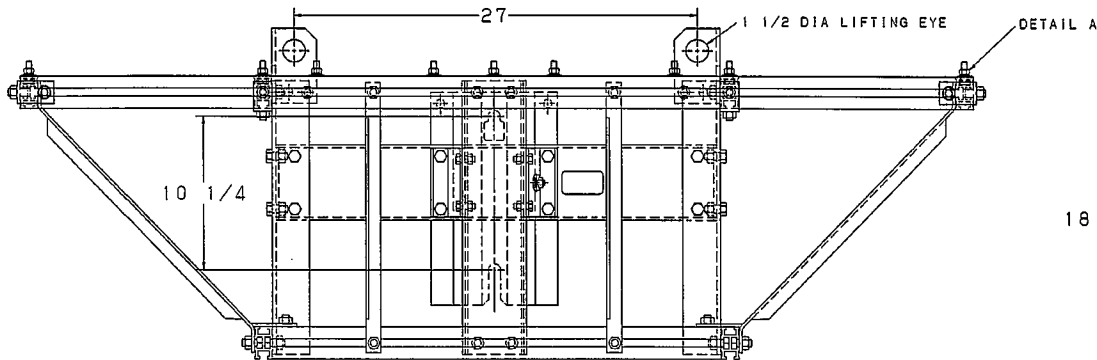


- NOTES -

1. ALL BRACKET MATERIAL IS ALUMINUM. BOLTS, NUTS AND WASHERS ARE GALVANIZED STEEL.
2. UNIT IS SUPPLIED ASSEMBLED FOR MOUNTING UP TO TWELVE CAPACITORS.
3. WHEN MOUNTING FEWER THAN TWELVE CAPACITORS, SPACE THE CAPACITORS TO GIVE LOAD BALANCE ON THE RACK.



DETAIL A



LATEST EC NO:	REV.	DATE	CHANGED BY	RESP ENGINEER
01799	-	-	-	HOYT
DRN BY:		DATE:	TITLE:	
DPE		8/22/52	RACK, CAPACITOR	
DO NOT SCALE THIS DRAWING		THIRD ANGLE PROJECTION		
1/8" = 1" DIMENSIONS		18" = 1" DIMENSIONS		
POWER SYSTEMS, INC.		SACCR-9/12		

CONFIDENTIAL THIS DRAWING AND ITS CONTENTS ARE CONFIDENTIAL AND THE EXCLUSIVE PROPERTY OF HUBBELL / H. O. CHANCE COMPANY. NO REPRODUCTION, DISTRIBUTION OR DISSEMINATION OF THIS DRAWING OR ITS CONTENTS IS PERMITTED WITHOUT THE WRITTEN CONSENT OF HUBBELL / H. O. CHANCE COMPANY. UNPUBLISHED - ALL RIGHTS RESERVED UNDER THE COPYRIGHT LAWS OF THE UNITED STATES OF AMERICA. © 2000 HUBBELL / H. O. CHANCE.