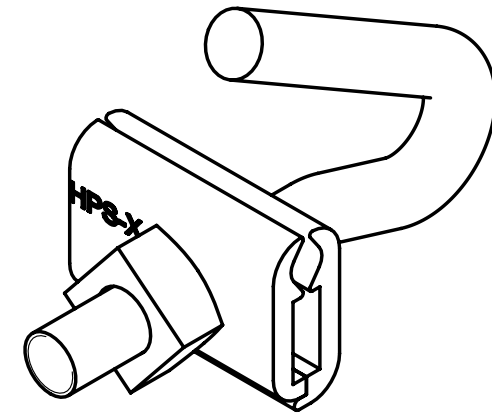
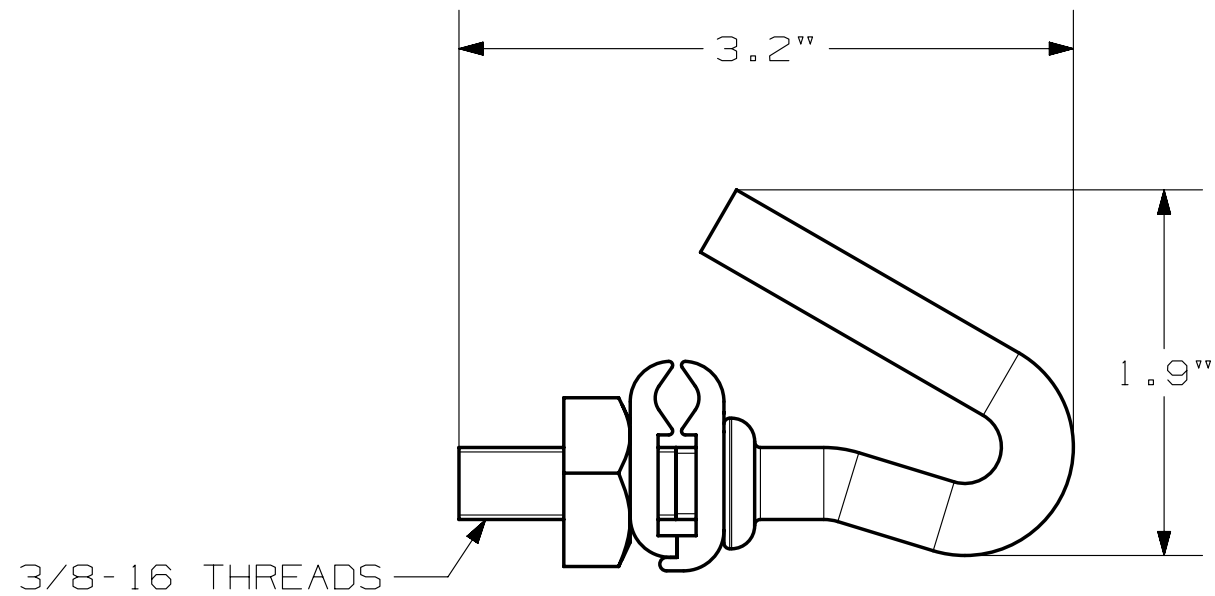


-NOTES-

1. PROVIDES DROP WIRE CLAMP ATTACHMENT AT MID-SPAN.
2. ACCEPTS STRAND SIZE RANGE OF 1/4" TO 3/8".
3. CLAMP PLATES, ALUMINUM.
4. 3/8" HARDWARE, GALVANIZED.
5. THREADS STAKED TO PREVENT LOSS OF NUT.



CATALOG NO: CCSC

LATEST EC NO:		REV.	DATE	CHANGED BY	RESP ENGINEER
67968		--	12/6/16	MTH	SIMS
					DO NOT SCALE THIS DWG THIRD ANGLE PROJECTION ISO DUAL DIMENSIONS IN=INCH, MM=MILLIMETER
DRN BY:	DATE	TITLE:			SIZE
MTH	12/6/16	CLAMP, "C" SPAN			B
					DWG NO: SACCS

CONFIDENTIAL: THIS DRAWING AND ITS CONTENTS ARE CONFIDENTIAL AND THE EXCLUSIVE PROPERTY OF HUBBELL POWER SYSTEMS, INC. NO PUBLICATION, DISTRIBUTION OR COPIES MAY BE MADE WITHOUT WRITTEN CONSENT BY HUBBELL POWER SYSTEMS, INC. © 2012 HUBBELL POWER SYSTEMS. UNPUBLISHED, ALL RIGHTS RESERVED UNDER THE COPYRIGHT LAWS