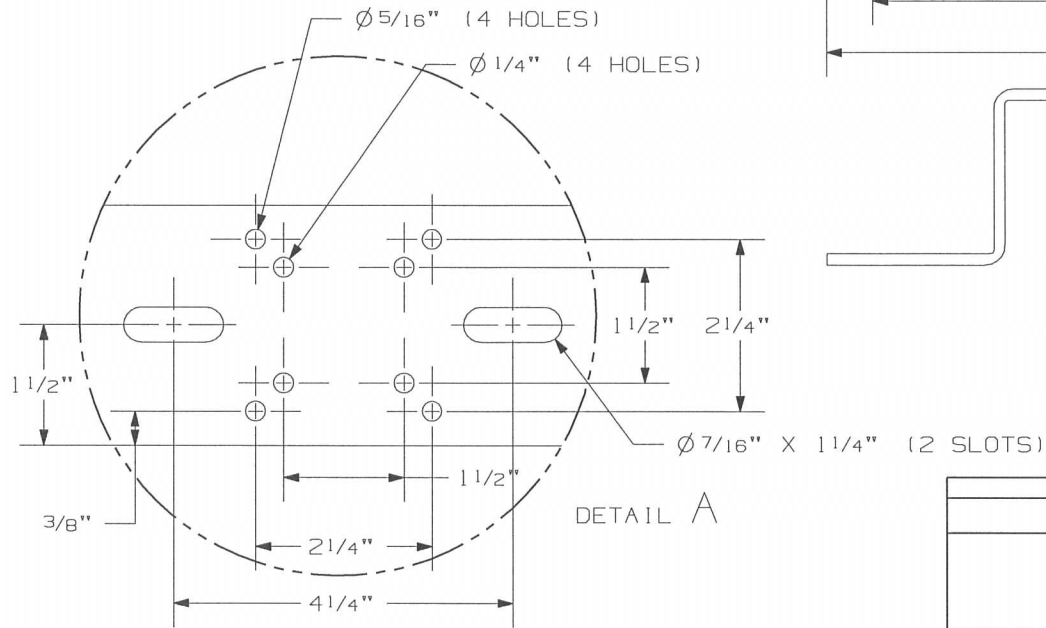


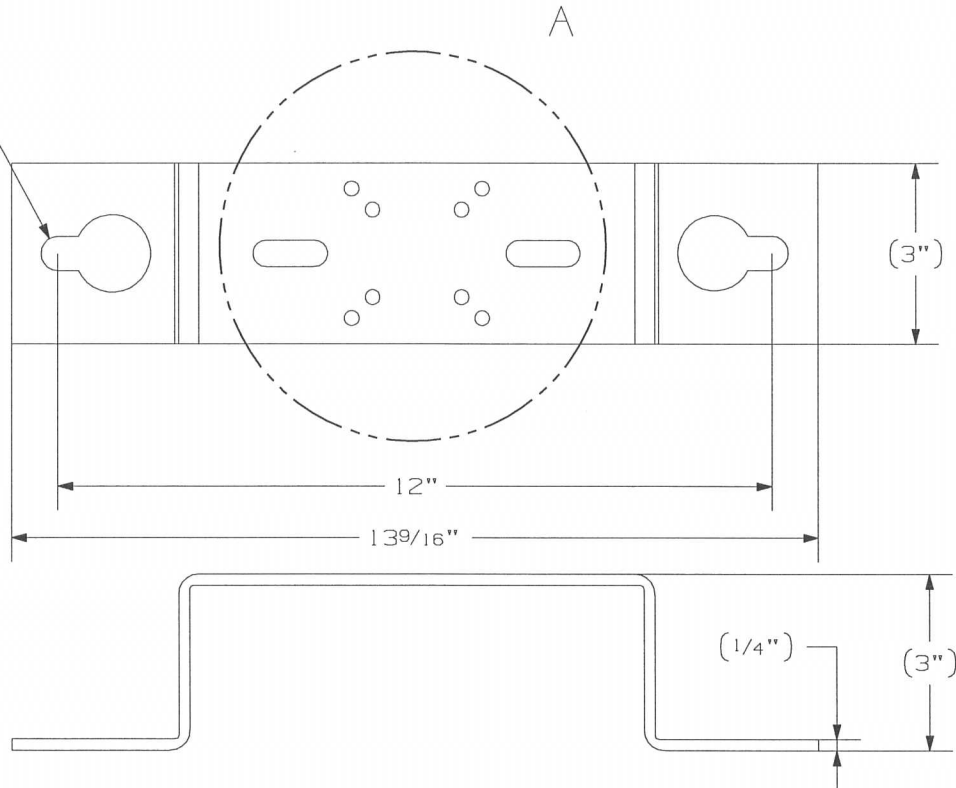
NOTES :

1.) MATERIAL: ALUMINUM

Ø9/16" KEYHOLE  
(TYP. BOTH ENDS)



DETAIL A



CATALOG NUMBER: CCTM1

LATEST EC NO:	REV.	DATE	CHANGED BY	RESP ENGINEER
---	-	-----	---	---
DRN BY: DATE TITLE:				DO NOT SCALE THIS DWG
JJJ 11-15-11 CURRENT TRANSFORMER MOUNTING BRACKET				THIRD ANGLE PROJECTION ISO DUAL DIMENSIONS IN=INCH, MM=MILLIMETER
SIZE				B



CHANCE®

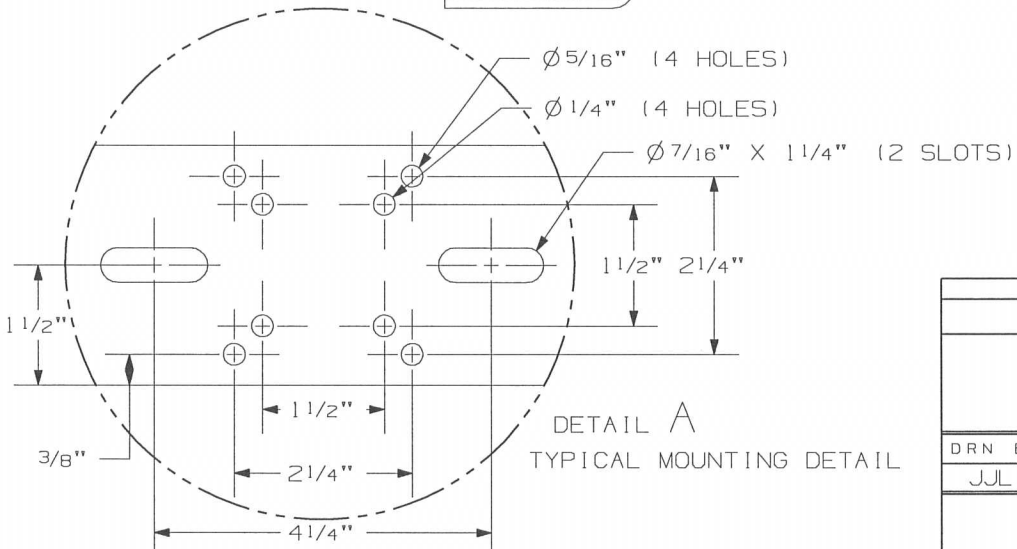
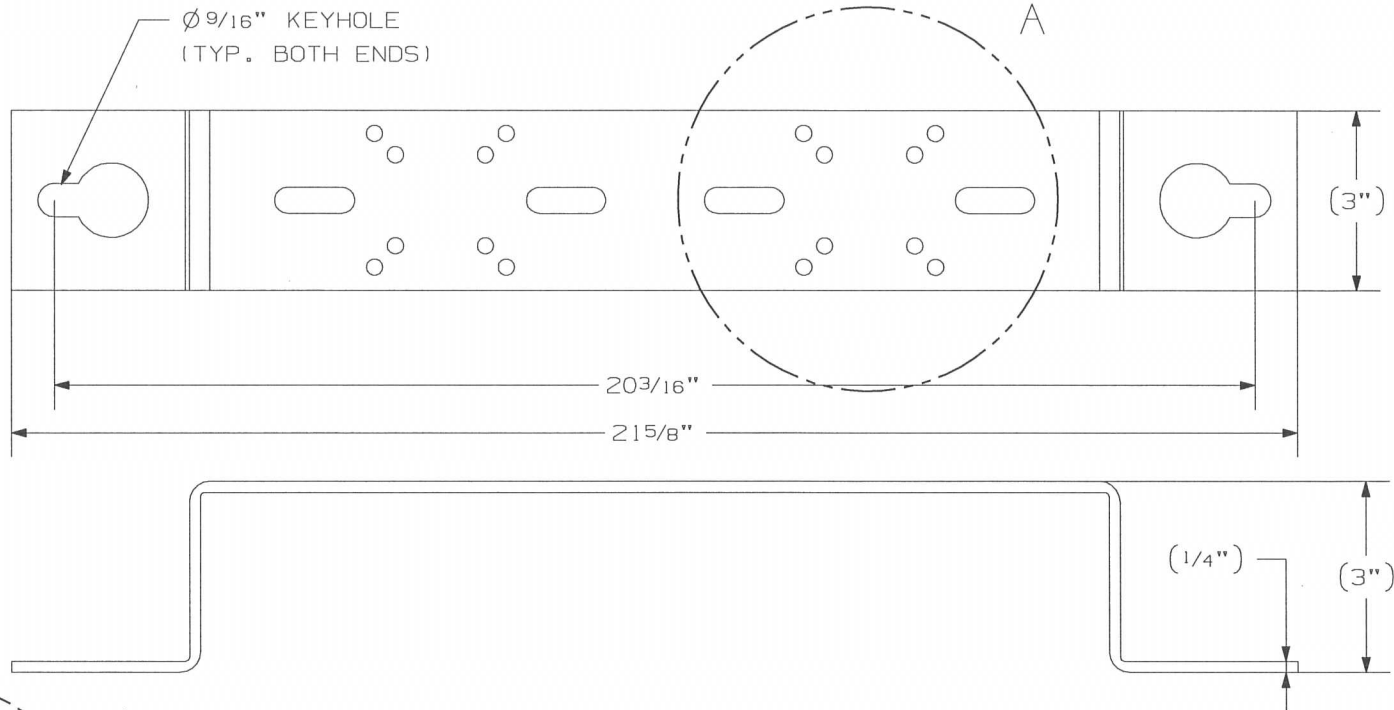


DWG NO: SACCTM-1

CONFIDENTIAL: THIS DRAWING AND ITS CONTENTS ARE CONFIDENTIAL AND THE EXCLUSIVE PROPERTY OF HUBBELL / A. B. CHANCE COMPANY. NO PUBLICATION, DISTRIBUTION OR COPIES MAY BE MADE WITHOUT WRITTEN CONSENT BY HUBBELL / A. B. CHANCE COMPANY. © 2001 HUBBELL/A.B. CHANCE. UNPUBLISHED - ALL RIGHTS RESERVED UNDER THE COPYRIGHT LAWS

NOTES :

1.) MATERIAL : ALUMINUM



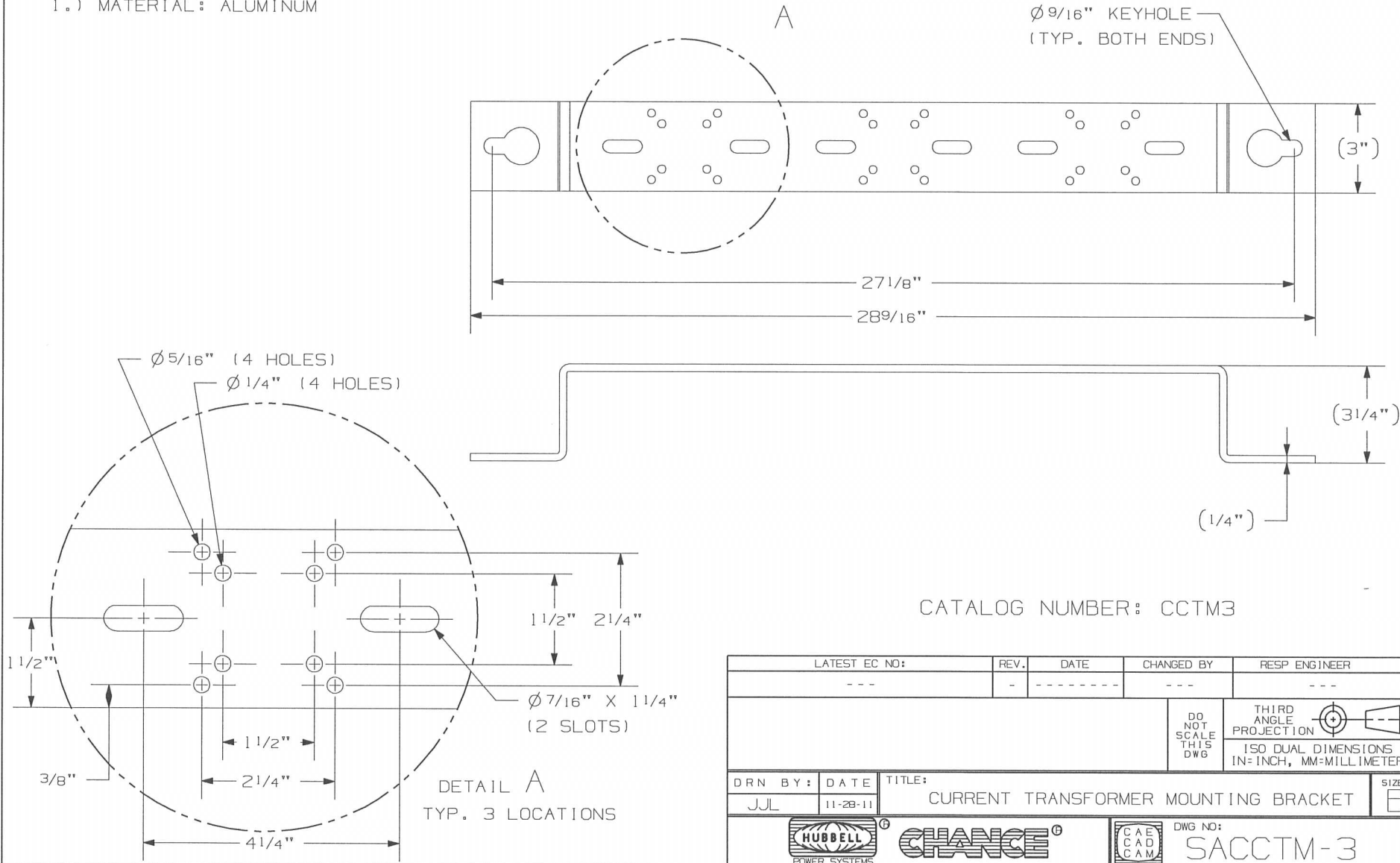
CATALOG NUMBER : CCTM2

LATEST EC NO:		REV.	DATE	CHANGED BY	RESP ENGINEER
---		-	-----	---	---
				DO NOT SCALE THIS DWG	THIRD ANGLE PROJECTION
				ISO DUAL DIMENSIONS IN=INCH, MM=MILLIMETER	
DRN BY:	DATE	TITLE:			SIZE
JUL	11-15-11	CURRENT TRANSFORMER MOUNTING BRACKET			B
				DWG NO: SACCTM-2	

CONFIDENTIAL: THIS DRAWING AND ITS CONTENTS ARE CONFIDENTIAL AND THE EXCLUSIVE PROPERTY OF HUBBELL / A.B. CHANCE COMPANY. NO PUBLICATION, DISTRIBUTION OR COPIES MAY BE MADE WITHOUT WRITTEN CONSENT BY HUBBELL / A.B. CHANCE COMPANY. © 2001 HUBBELL/A.B. CHANCE. UNPUBLISHED - ALL RIGHTS RESERVED UNDER THE COPYRIGHT LAWS

NOTES :

1.) MATERIAL : ALUMINUM



CATALOG NUMBER : CCTM3

LATEST EC NO:	REV.	DATE	CHANGED BY	RESP ENGINEER
---	-	-----	---	---
DRN BY: DATE			TITLE:	
JUL 11-28-11			CURRENT TRANSFORMER MOUNTING BRACKET	
DO NOT SCALE THIS DWG			THIRD ANGLE PROJECTION	ISO DUAL DIMENSIONS IN=INCH, MM=MILLIMETER
SIZE			D	



DWG NO: SACCTM-3

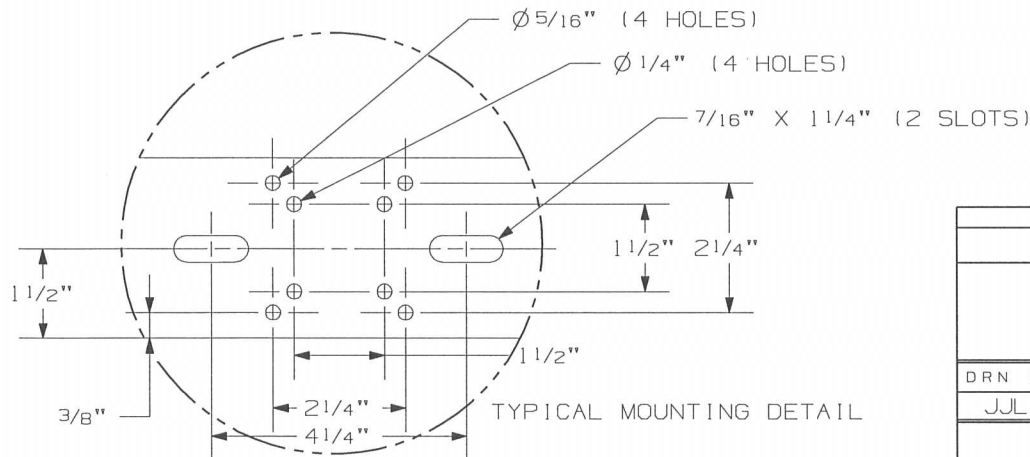
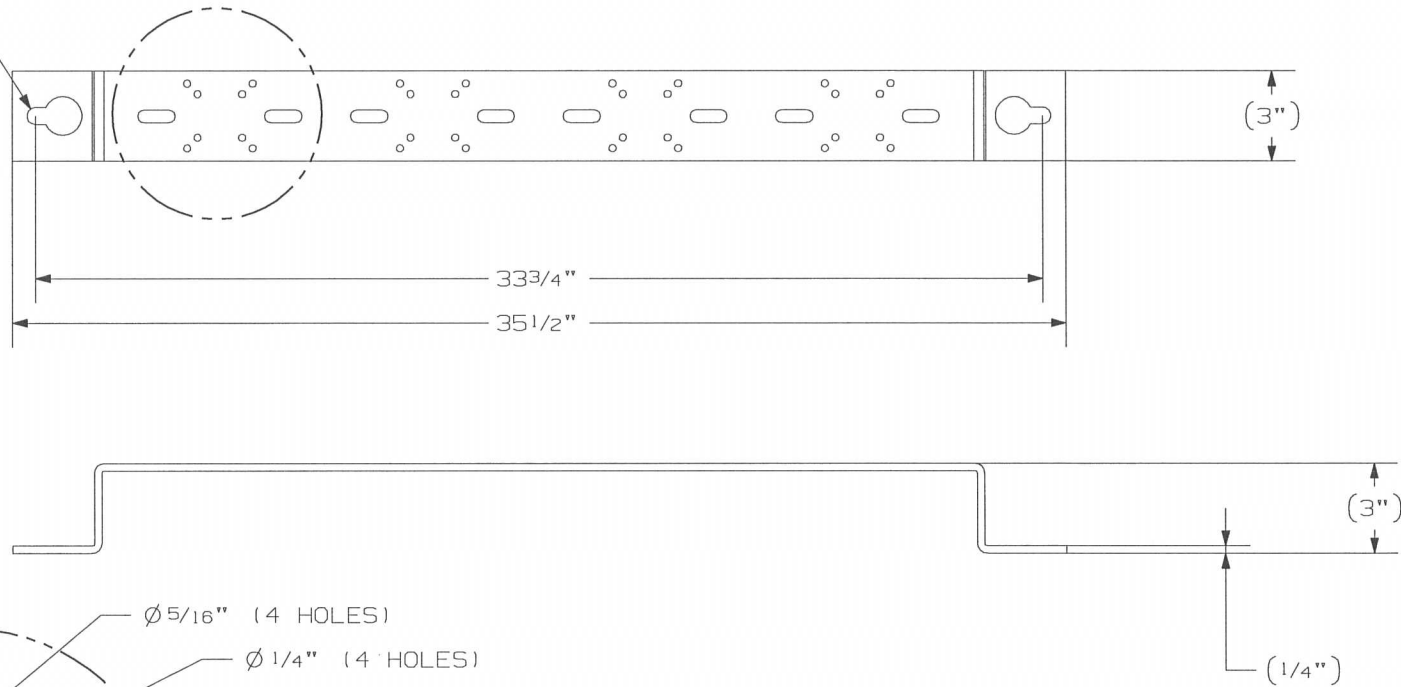
CONFIDENTIAL: THIS DRAWING AND ITS CONTENTS ARE CONFIDENTIAL AND THE EXCLUSIVE PROPERTY OF HUBBELL / A.B. CHANGE COMPANY. NO PUBLICATION, DISTRIBUTION OR COPIES MAY BE MADE WITHOUT WRITTEN CONSENT BY HUBBELL / A.B. CHANGE COMPANY. © 2001 HUBBELL/A.B. CHANGE. UNPUBLISHED - ALL RIGHTS RESERVED UNDER THE COPYRIGHT LAWS

NOTES :

1.) MATERIAL: ALUMINUM

9/16" KEYHOLE  
(TYP. BOTH ENDS)

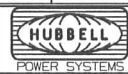


A



CATALOG NUMBER: CCTM4

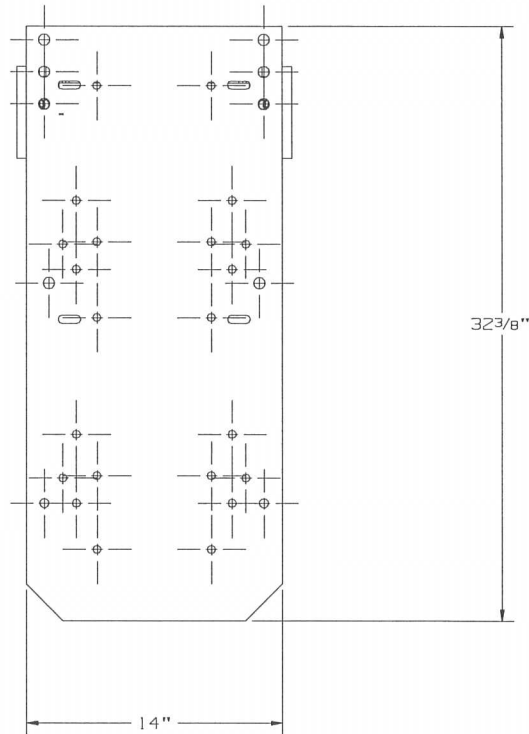
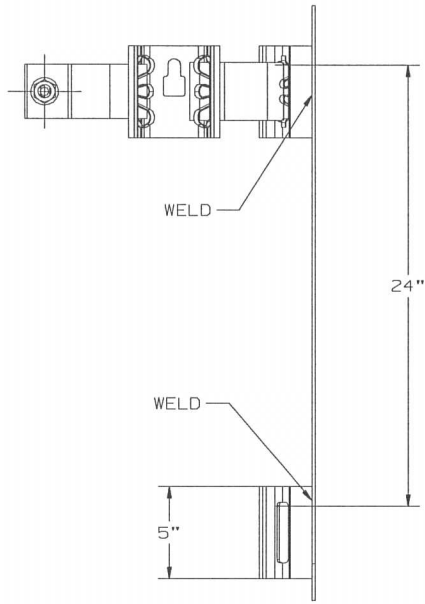
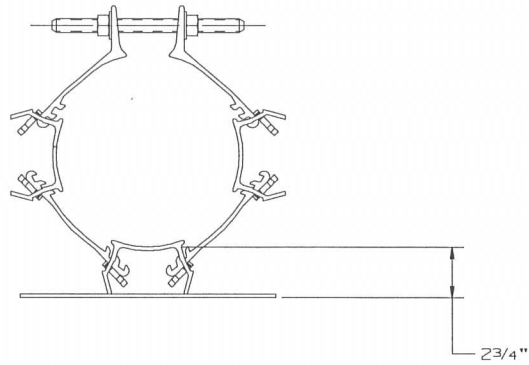
LATEST EC NO:		REV.	DATE	CHANGED BY	RESP ENGINEER
---		-	-----	---	---
DRN BY: DATE				TITLE:	
JUL		10-10-11		CURRENT TRANSFORMER MOUNTING BRACKET	
DO NOT SCALE THIS DWG				THIRD ANGLE PROJECTION	
				ISO DUAL DIMENSIONS IN=INCH, MM=MILLIMETER	
				SIZE D	

CONFIDENTIAL: THIS DRAWING AND ITS CONTENTS ARE CONFIDENTIAL AND THE EXCLUSIVE PROPERTY OF HUBBELL / A.B. CHANCE COMPANY. NO PUBLICATION, DISTRIBUTION OR COPIES MAY BE MADE WITHOUT WRITTEN CONSENT BY HUBBELL / A.B. CHANCE COMPANY. © 2001 HUBBELL/A.B. CHANCE. UNPUBLISHED - ALL RIGHTS RESERVED UNDER THE COPYRIGHT LAWS




 DWG NO: SACCTM-4

NOTES :

- 1.) MATERIAL : ALUMINUM
- 2.) ASSEMBLED COMPLETE AS SHOWN.



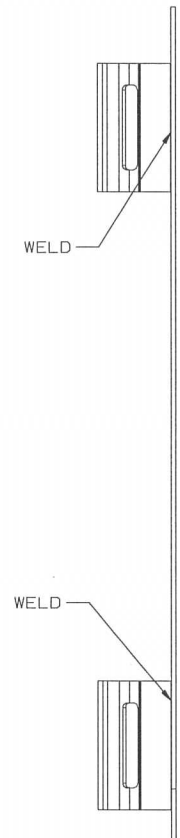
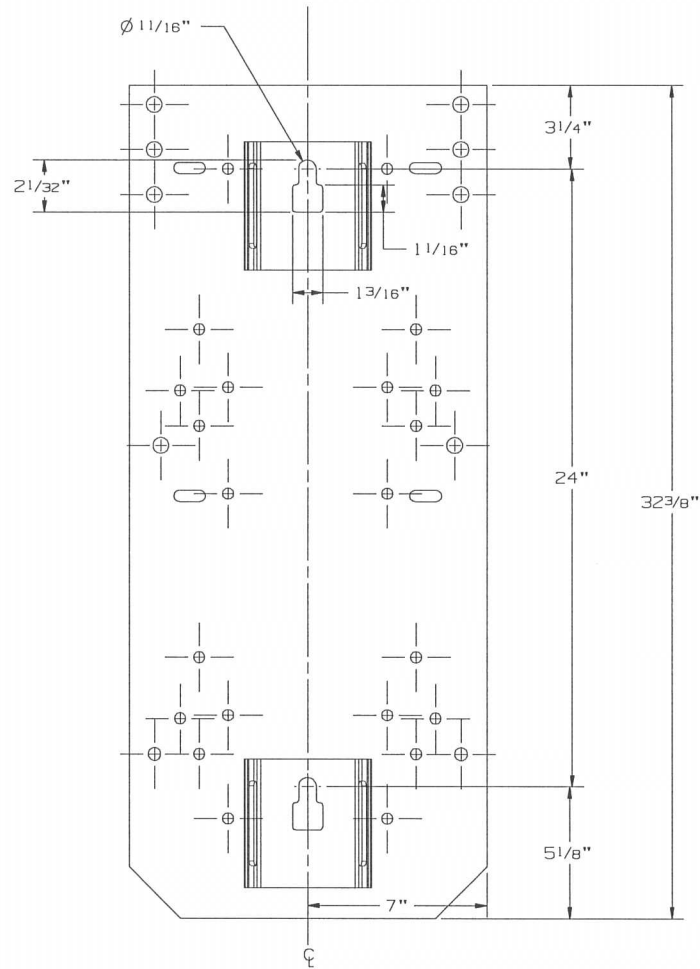
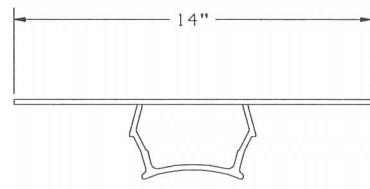
CATALOG NUMBER : CBPMM2K

LATEST EC NO:		REV.	DATE	CHANGED BY	RESP ENGINEER						
<table border="1"> <tr> <td>DO NOT SCALE THIS DWG</td> <td>THIRD ANGLE PROJECTION</td> <td rowspan="2"> </td> </tr> <tr> <td colspan="2">150 DUAL DIMENSIONS IN: INCH, MM=MILLIMETER</td> </tr> </table>					DO NOT SCALE THIS DWG	THIRD ANGLE PROJECTION		150 DUAL DIMENSIONS IN: INCH, MM=MILLIMETER		SIZE	C
DO NOT SCALE THIS DWG	THIRD ANGLE PROJECTION										
150 DUAL DIMENSIONS IN: INCH, MM=MILLIMETER											
DRN BY:	DATE	TITLE:									
JUL	11-28-11	BANDED SINGLE PHASE METER MOUNT									
DWG NO:				SACB-PMM-2-K							

CONFIDENTIAL: THIS DRAWING AND ITS CONTENTS ARE CONFIDENTIAL AND THE EXCLUSIVE PROPERTY OF HUBBELL POWER SYSTEMS, A DIVISION OF HUBBELL, A. B. CHANCE COMPANY. COPIES MAY BE MADE WITHOUT WRITTEN CONSENT BY HUBBELL, A. B. CHANCE COMPANY. © 2001 HUBBELL, A. B. CHANCE. UNPUBLISHED - ALL RIGHTS RESERVED UNDER THE COPYRIGHT LAWS

NOTES:

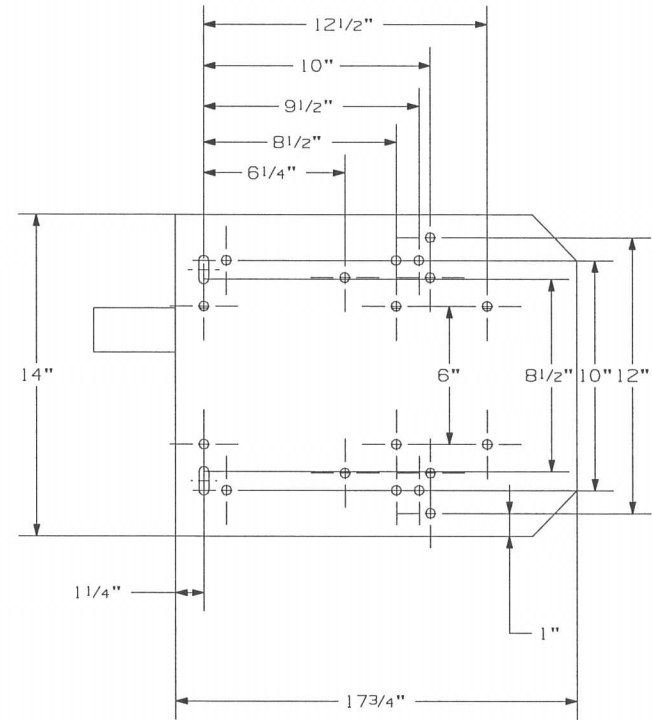
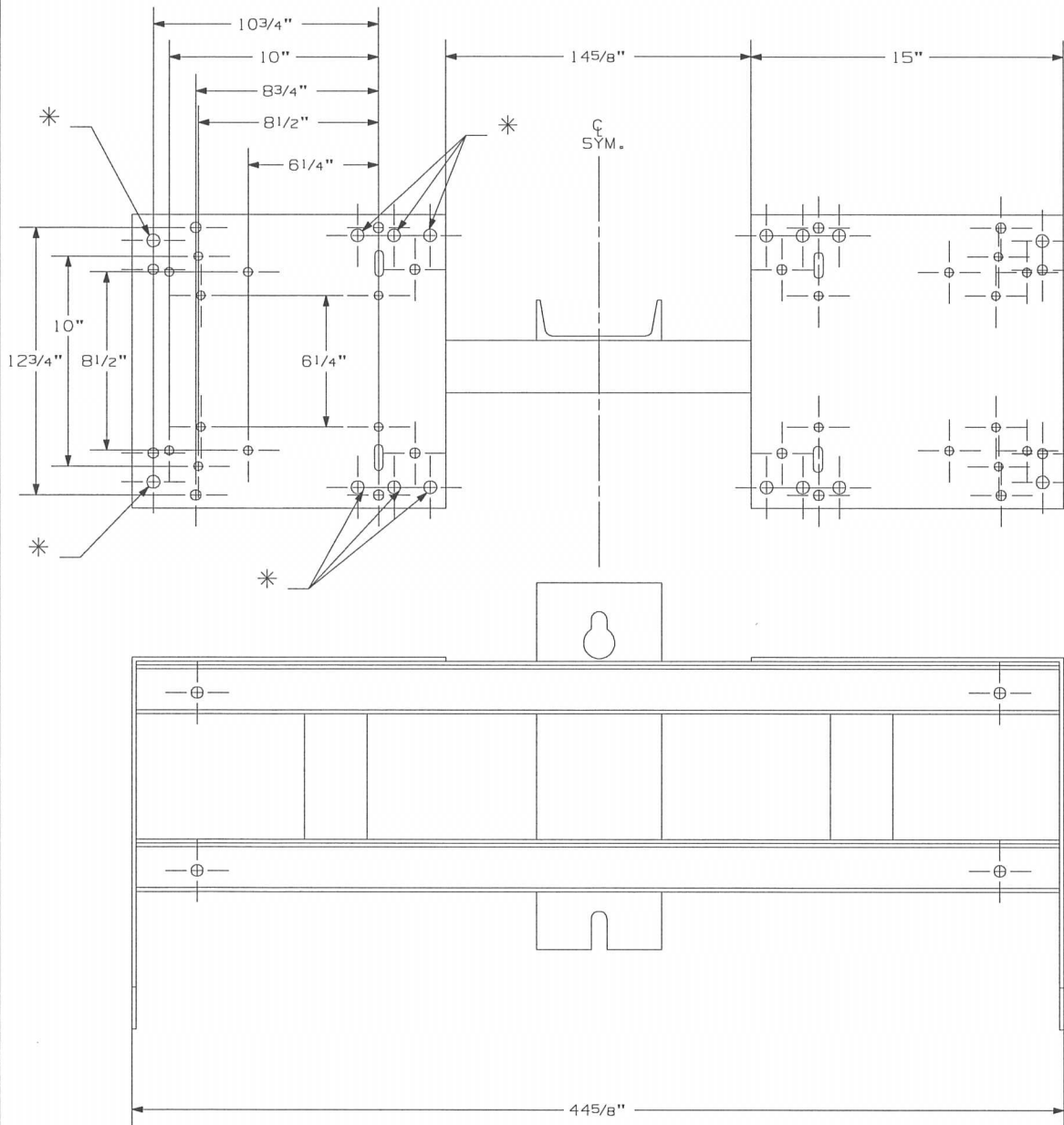
- 1.) MATERIAL: ALUMINUM
- 2.) ASSEMBLED COMPLETE AS SHOWN.



CATALOG NUMBER: CTBPMM2

LATEST EC NO:		REV.	DATE	CHANGED BY	RESP ENGINEER
-----		-	-----	-----	-----
					DO NOT SCALE THIS DWG THIRD ANGLE PROJECTION ISO DUAL DIMENSIONS IN-INCH, MM-MILLIMETER
DRN BY:	DATE	TITLE:			SIZE
JUL	11-28-11	THRU-BOLTED SINGLE PHASE METER MOUNT			C
				DWG NO: SACTB-PMM-2	

CONFIDENTIAL: THIS DRAWING AND ITS CONTENTS ARE CONFIDENTIAL AND THE EXCLUSIVE PROPERTY OF HUBBELL / A.B. CHANCE COMPANY. NO PUBLICATION, DISTRIBUTION OR COPIES MAY BE MADE WITHOUT WRITTEN CONSENT BY HUBBELL / A.B. CHANCE COMPANY. © 2001 HUBBELL/A.B. CHANCE. UNPUBLISHED - ALL RIGHTS RESERVED UNDER THE COPYRIGHT LAWS



CATALOG NUMBER: CPMM4

NOTES:

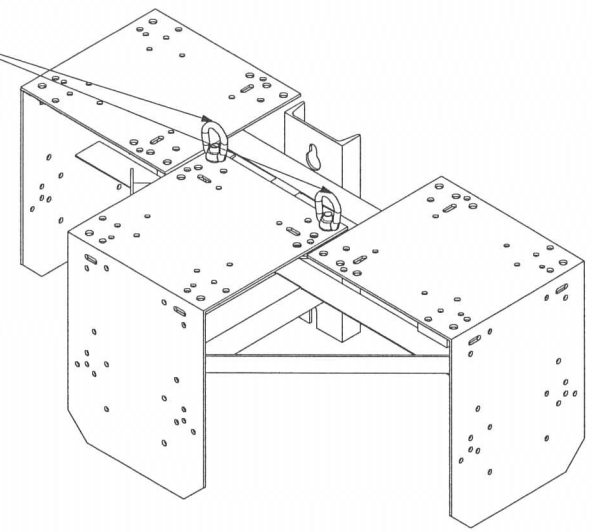
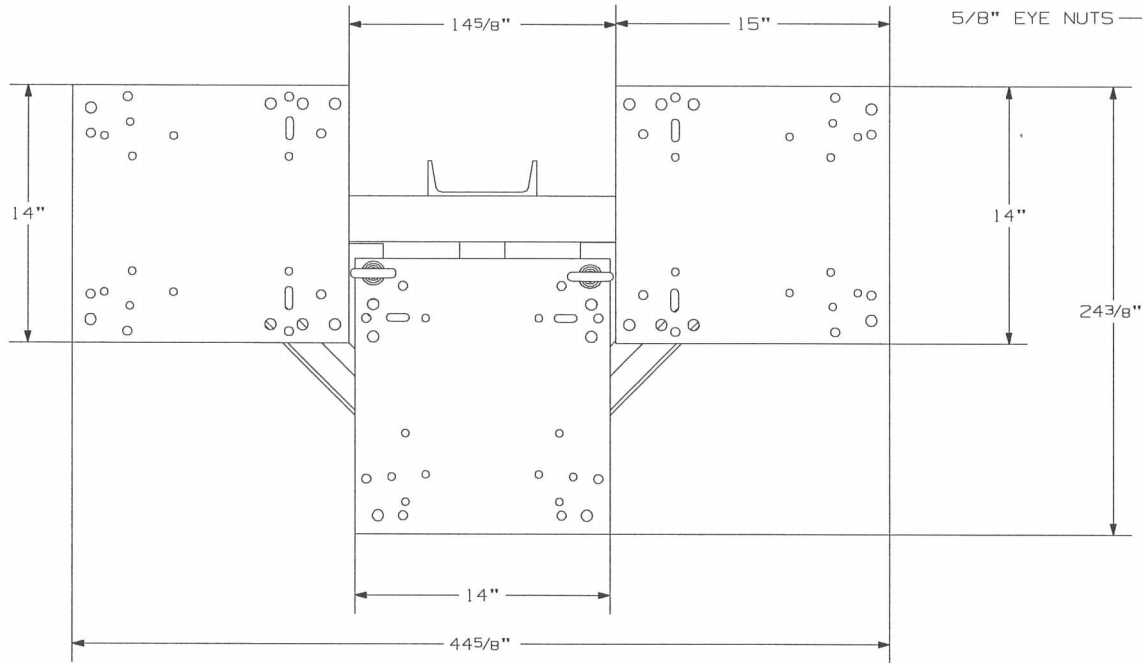
- 1.) MATERIAL: ALUMINUM.
- 2.) ASSEMBLED COMPLETE AS SHOWN.
- 3.) ALL HOLES AND SLOTS ARE FOR 3/8" DIA. HARDWARE WITH THE EXCEPTION OF HOLES MARKED WITH (\*). THESE ARE FOR 1/2" DIA. HARDWARE.

LATEST EC NO:		REV.	DATE	CHANGED BY	RESP ENGINEER
-----		-	-----	-----	-----
				DO NOT SCALE THIS DWG	THIRD ANGLE PROJECTION ISO DUAL DIMENSIONS IN=INCH, MM=MILLIMETER
DRN BY:	DATE:	TITLE:		SIZE	
JUL	11-28-11	PRIMARY METERING MOUNT (2 POSITION)		C	
				DWG NO: SACPMM-4	

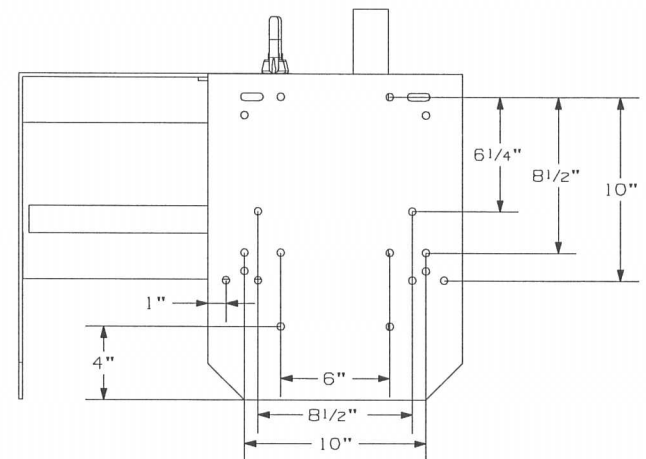
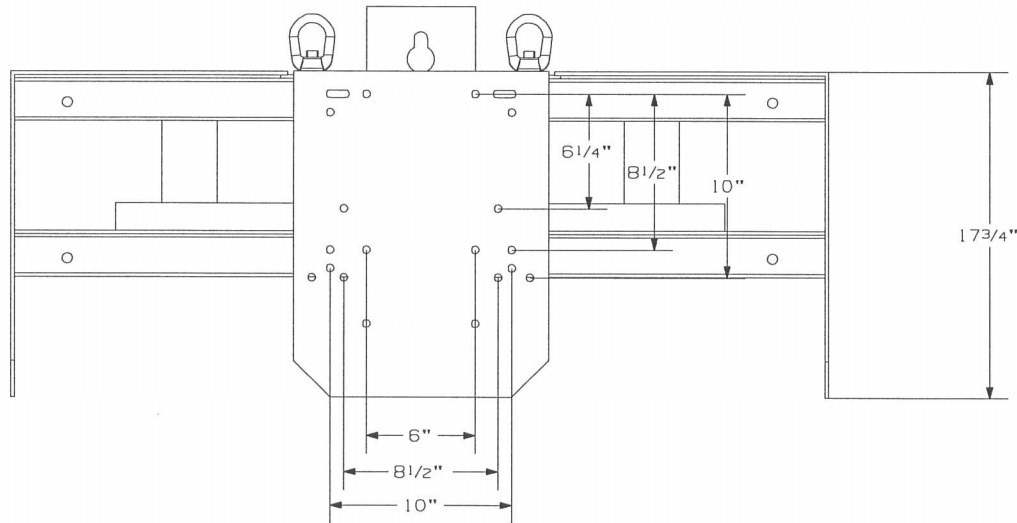
CONFIDENTIAL: THIS DRAWING AND ITS CONTENTS ARE CONFIDENTIAL AND THE EXCLUSIVE PROPERTY OF HUBBELL A.B. CHANCE COMPANY. NO REPRODUCTION, DISTRIBUTION OR COPY RIGHTS MAY BE MADE WITHOUT PERMISSION OF HUBBELL A.B. CHANCE. UNPUBLISHED - ALL RIGHTS RESERVED UNDER THE COPYRIGHT LAWS © 2001 HUBBELL/A.B. CHANCE.

NOTES:

- 1.) ASSEMBLED COMPLETE AS SHOWN.
- 2.) MATERIAL: ALUMINUM



ALL HOLES AND SLOTS ARE FOR 3/8" DIA. BOLTS



CATALOG NUMBER: CPMM6

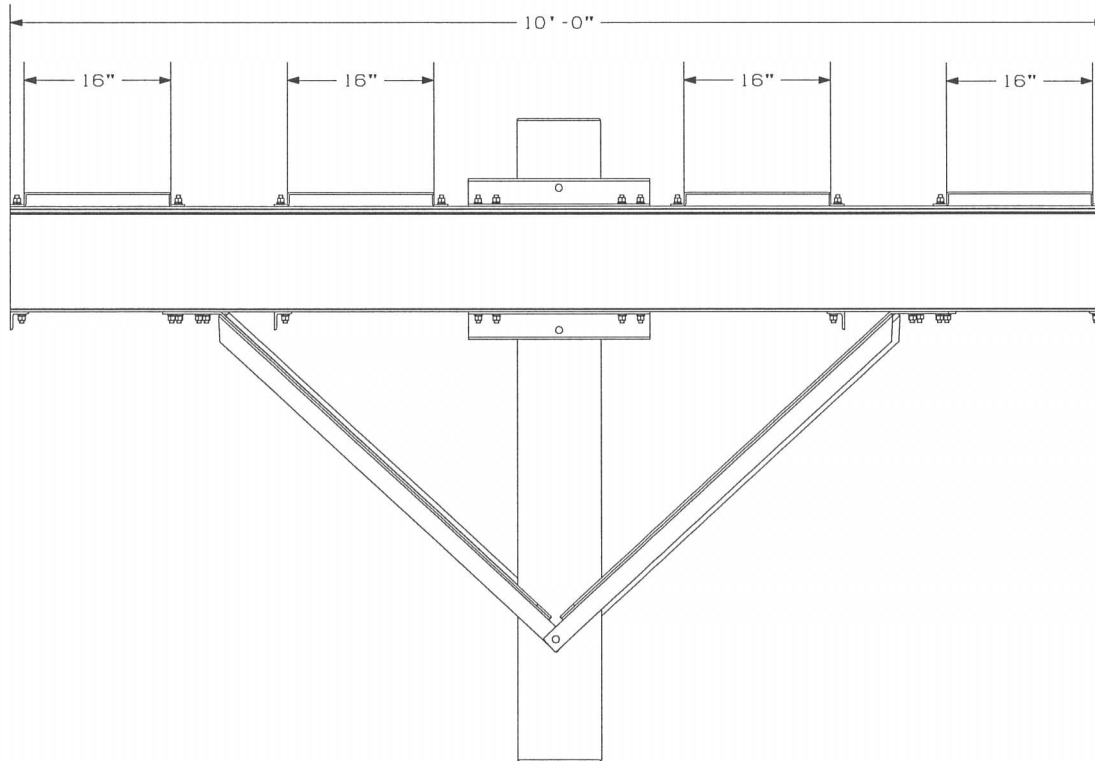
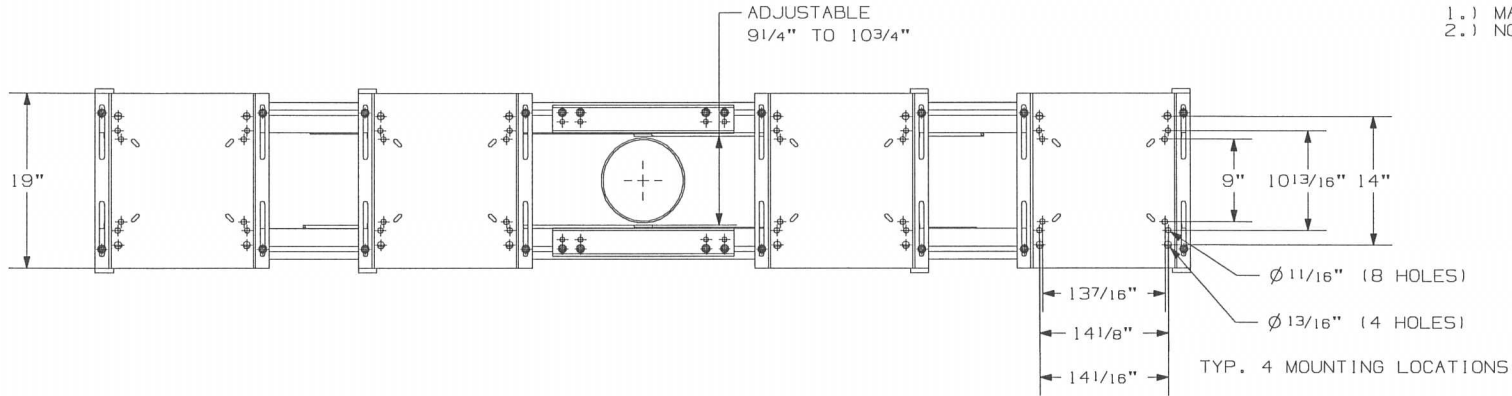
LATEST EC NO:		REV.	DATE	CHANGED BY	RESP ENGINEER
-----		-	-----	-----	-----
DO NOT SCALE THIS DWG THIRD ANGLE PROJECTION ISO DUAL DIMENSIONS IN-INCH, MM-MILLIMETER					
					DRN BY: JUL DATE: 10-17-11 TITLE: PRIMARY METER MOUNT (3 POSITION) SIZE: C
				DWG NO: SACPMM6 	

CONFIDENTIAL: THIS DRAWING AND ITS CONTENTS ARE CONFIDENTIAL AND THE EXCLUSIVE PROPERTY OF HUBBELL / A.B. CHANCE COMPANY. NO PUBLICATION, DISTRIBUTION OR COPIES MAY BE MADE WITHOUT WRITTEN CONSENT BY HUBBELL / A.B. CHANCE COMPANY. © 2001 HUBBELL/A.B. CHANCE. UNPUBLISHED - ALL RIGHTS RESERVED UNDER THE COPYRIGHT LAWS



NOTES :

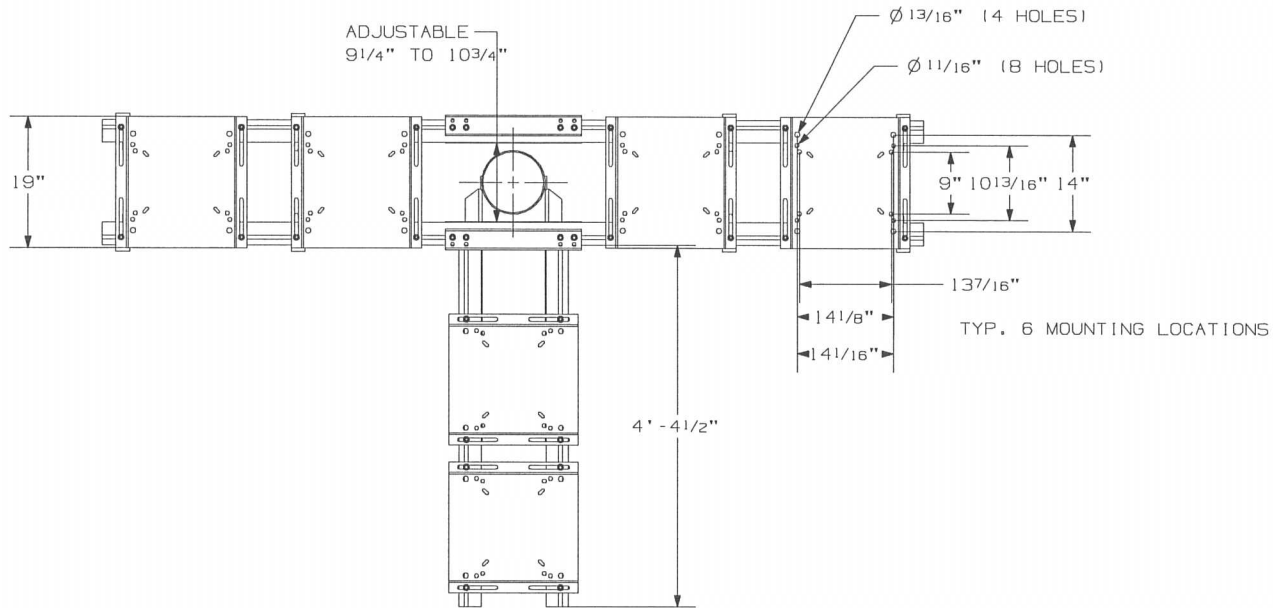
- 1.) MATERIAL: ALUMINUM
- 2.) NOT ASSEMBLED AS SHOWN.



CATALOG NUMBER: CHDPM4

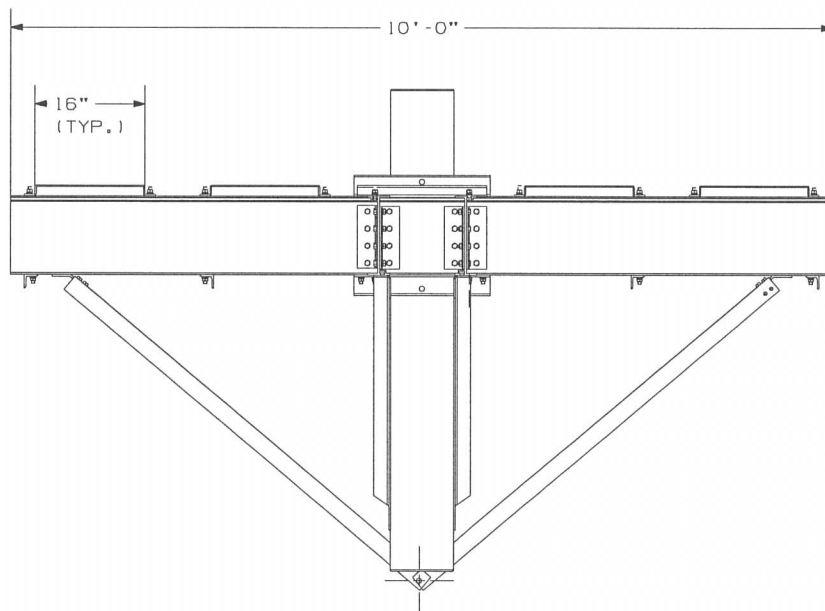
LATEST EC NO:		REV.	DATE	CHANGED BY	RESP ENGINEER
-----		-	-----	-----	-----
DO NOT SCALE THIS DWG THIRD ANGLE PROJECTION ISO DUAL DIMENSIONS IN-INCH, MM-MILLIMETER					
					DRN BY: JUL DATE: 11-28-11 TITLE: HEAVY DUTY PRIMARY METERING MOUNT (2 POSITION) SIZE: C
				DWG NO: SACHD-PMM-4	

CONFIDENTIAL: THIS DRAWING AND ITS CONTENTS ARE CONFIDENTIAL AND THE EXCLUSIVE PROPERTY OF HUBBELL / A.B. CHANCE COMPANY. NO PUBLICATION, DISTRIBUTION OR COPIES MAY BE MADE WITHOUT WRITTEN CONSENT BY HUBBELL / A.B. CHANCE COMPANY. © 2001 HUBBELL/A.B. CHANCE. UNPUBLISHED - ALL RIGHTS RESERVED UNDER THE COPYRIGHT LAWS



NOTES :

- 1.) MATERIAL: ALUMINUM
- 2.) NOT ASSEMBLED AS SHOWN.



CATALOG NUMBER : CHDPM6

LATEST EC NO:		REV.	DATE	CHANGED BY	RESP ENGINEER
-----		-	-----	-----	-----
DO NOT SCALE THIS DWG THIRD ANGLE PROJECTION ISO DUAL DIMENSIONS IN-INCH, MM-MILLIMETER					
					DRN BY: JUL DATE: 11-28-11 TITLE: HEAVY DUTY PRIMARY METERING MOUNT (3 POSITION) SIZE: C
DWG NO:				SACHD-PMM-6	

CONFIDENTIAL: THIS DRAWING AND ITS CONTENTS ARE CONFIDENTIAL AND THE EXCLUSIVE PROPERTY OF HUBBELL / A.B. CHANCE COMPANY. NO PUBLICATION, DISTRIBUTION OR COPIES MAY BE MADE WITHOUT WRITTEN CONSENT BY HUBBELL / A.B. CHANCE COMPANY. © 2001 HUBBELL/A.B. CHANCE. UNPUBLISHED - ALL RIGHTS RESERVED UNDER THE COPYRIGHT LAWS