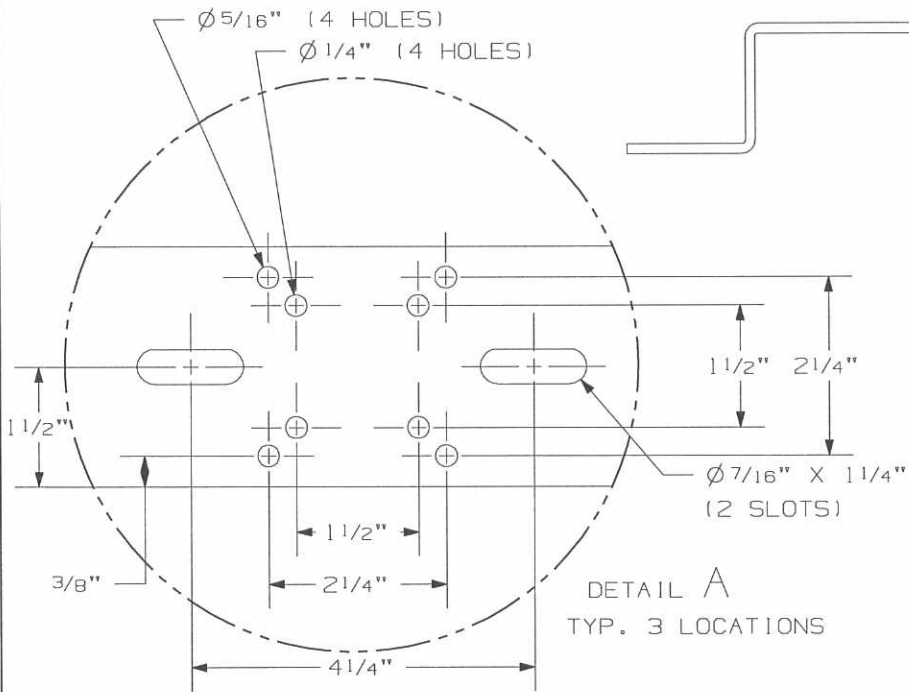
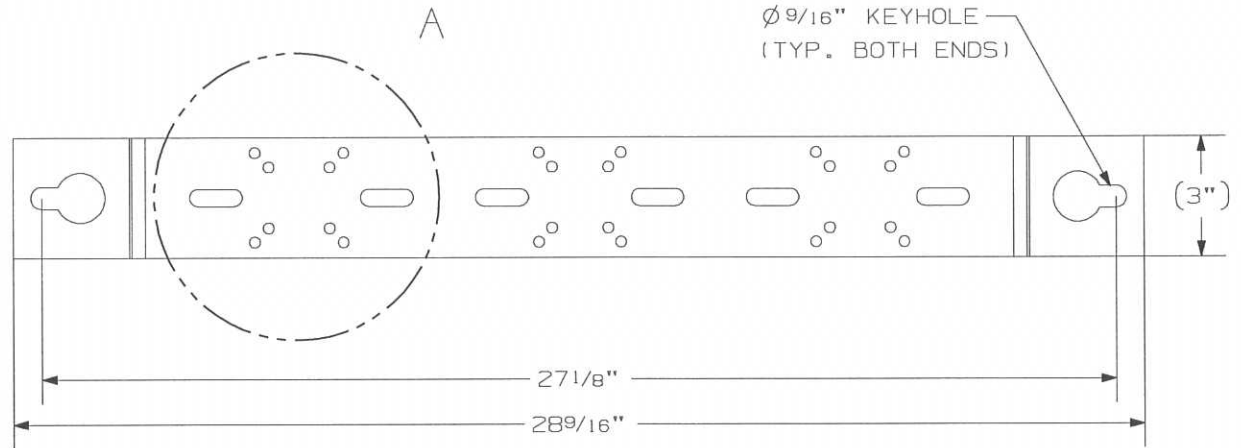


NOTES :

1.) MATERIAL: ALUMINUM



CATALOG NUMBER: CCTM3

LATEST EC NO:		REV.	DATE	CHANGED BY	RESP ENGINEER
---		-	---	---	---
				DO NOT SCALE THIS DWG	THIRD ANGLE PROJECTION ISO DUAL DIMENSIONS IN=INCH, MM=MILLIMETER
DRN BY:	DATE	TITLE:			SIZE
JJL	11-28-11	CURRENT TRANSFORMER MOUNTING BRACKET			B
					DWG NO: SACCTM-3

CONFIDENTIAL: THIS DRAWING AND ITS CONTENTS ARE CONFIDENTIAL AND THE EXCLUSIVE PROPERTY OF HUBBELL / A.B. CHANCE COMPANY. NO PUBLICATION, DISTRIBUTION OR COPIES MAY BE MADE WITHOUT WRITTEN CONSENT BY HUBBELL / A.B. CHANCE COMPANY. © 2001 HUBBELL/A.B. CHANCE. UNPUBLISHED - ALL RIGHTS RESERVED UNDER THE COPYRIGHT LAWS