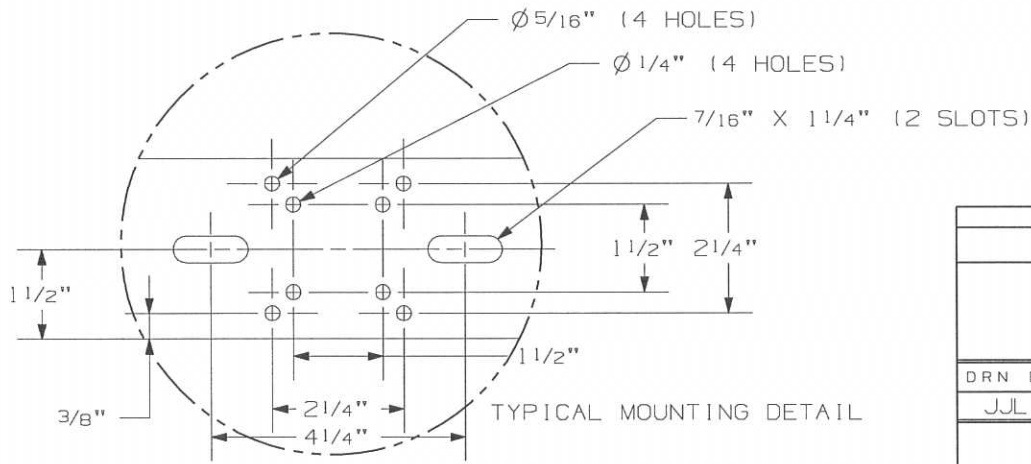
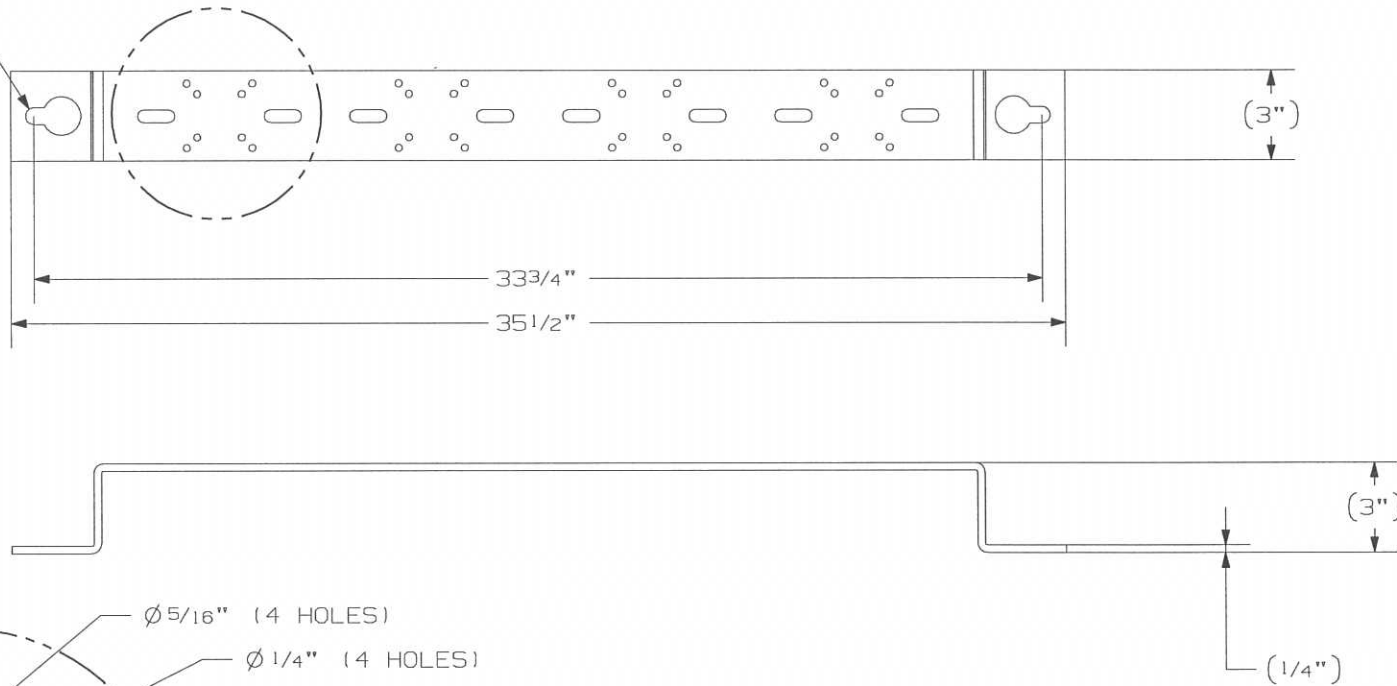


NOTES :

1.) MATERIAL: ALUMINUM

9/16" KEYHOLE
(TYP. BOTH ENDS)

A



TYPICAL MOUNTING DETAIL

CATALOG NUMBER: CCTM4

LATEST EC NO:	REV.	DATE	CHANGED BY	RESP ENGINEER
---	-	-----	---	---
DRN BY: DATE			TITLE:	
JUL 10-18-11			CURRENT TRANSFORMER MOUNTING BRACKET	
DO NOT SCALE THIS DWG			THIRD ANGLE PROJECTION	
ISO DUAL DIMENSIONS			IN=INCH, MM=MILLIMETER	
SIZE				B



DWG NO:
SACCTM-4

CONFIDENTIAL: THIS DRAWING AND ITS CONTENTS ARE CONFIDENTIAL AND THE EXCLUSIVE PROPERTY OF HUBBELL / A.B. CHANCE COMPANY. NO PUBLICATION, DISTRIBUTION OR COPIES MAY BE MADE WITHOUT WRITTEN CONSENT BY HUBBELL / A.B. CHANCE COMPANY. © 2001 HUBBELL/A.B. CHANCE. UNPUBLISHED - ALL RIGHTS RESERVED UNDER THE COPYRIGHT LAWS