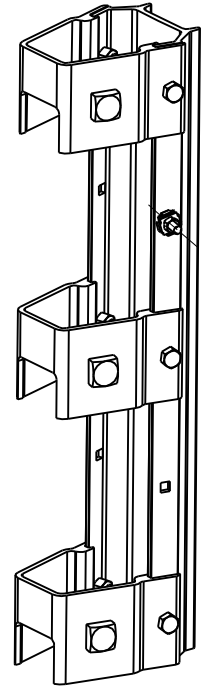
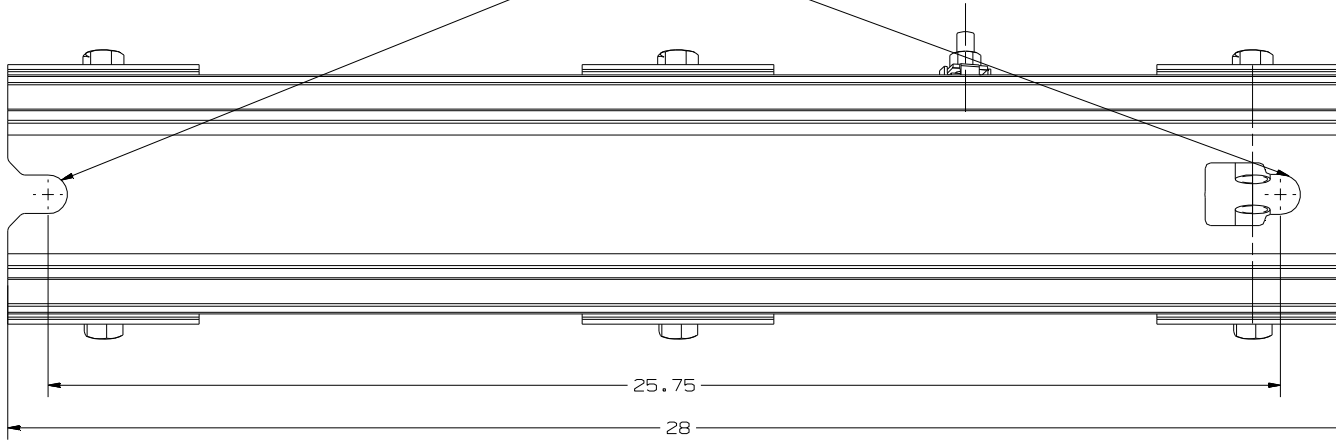


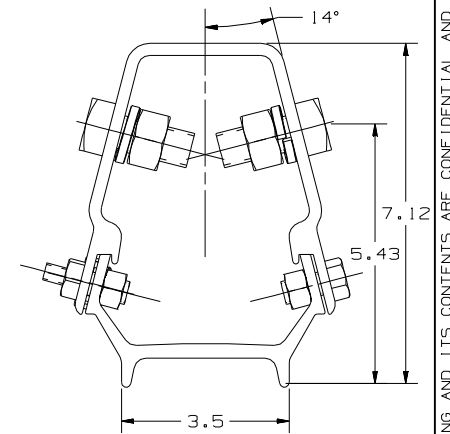
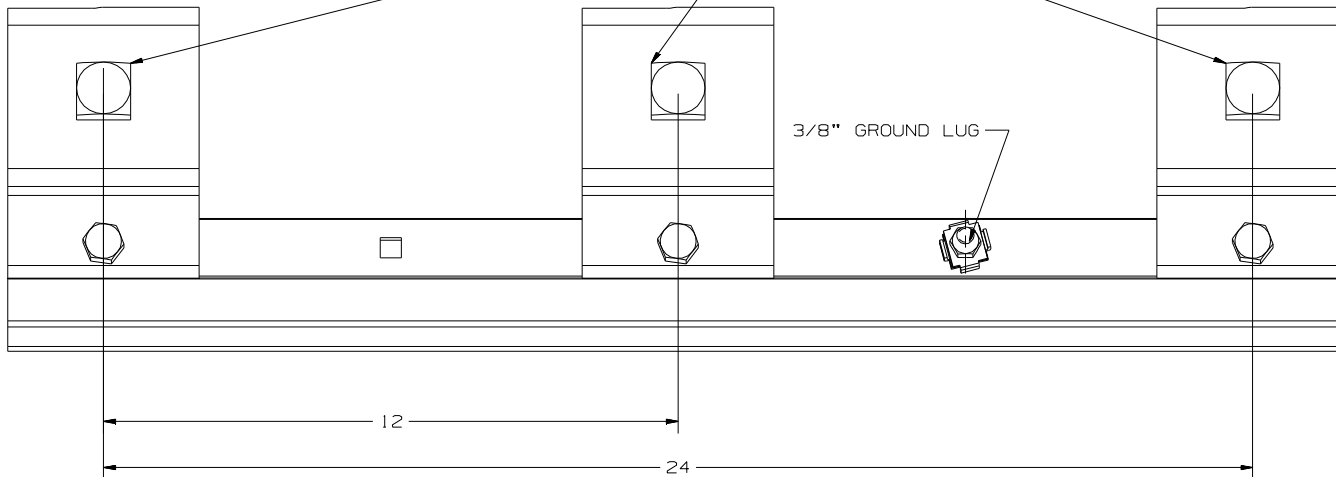
-NOTES-

1. MATERIAL: 6061-T6 ALUMINUM
2. (6) 3/4" X 1-3/4" BOLTS WITH 3/4" SPRING LOCK WASHER AND 3/4" SQUARE NUT

MOUNTS WITH 3/4" HARDWARE



NOTE 2



CATALOG NUMBER : CDM4M2

LATEST EC NO:		REV.	DATE	CHANGED BY	RESP ENGINEER
-----		-	-----	-----	-----
DO NOT SCALE THIS DWG THIRD ANGLE PROJECTION ISO QUAL DIMENSIONS IN=INCH, MM=MILLIMETER					
DRN BY:	DATE:	TITLE:			SIZE:
JUL	01-21-14	TRANSFORMER RACK			C
				DWG NO: SACDM-4M2	

CONFIDENTIAL: THIS DRAWING AND ITS CONTENTS ARE CONFIDENTIAL AND THE EXCLUSIVE PROPERTY OF HUBBELL POWER SYSTEMS, INC. NO PUBLICATION, DISTRIBUTION OR COPIES MAY BE MADE WITHOUT WRITTEN CONSENT BY HUBBELL POWER SYSTEMS, INC. © 2012 HUBBELL POWER SYSTEMS. UNPUBLISHED. ALL RIGHTS RESERVED UNDER THE COPYRIGHT LAWS