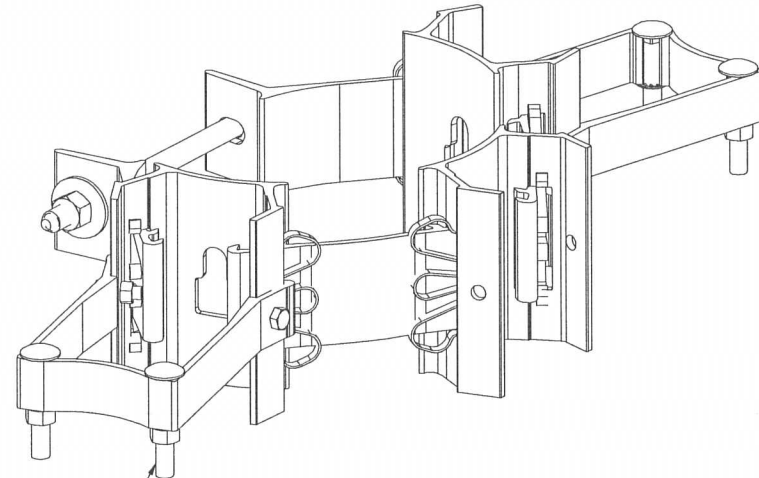
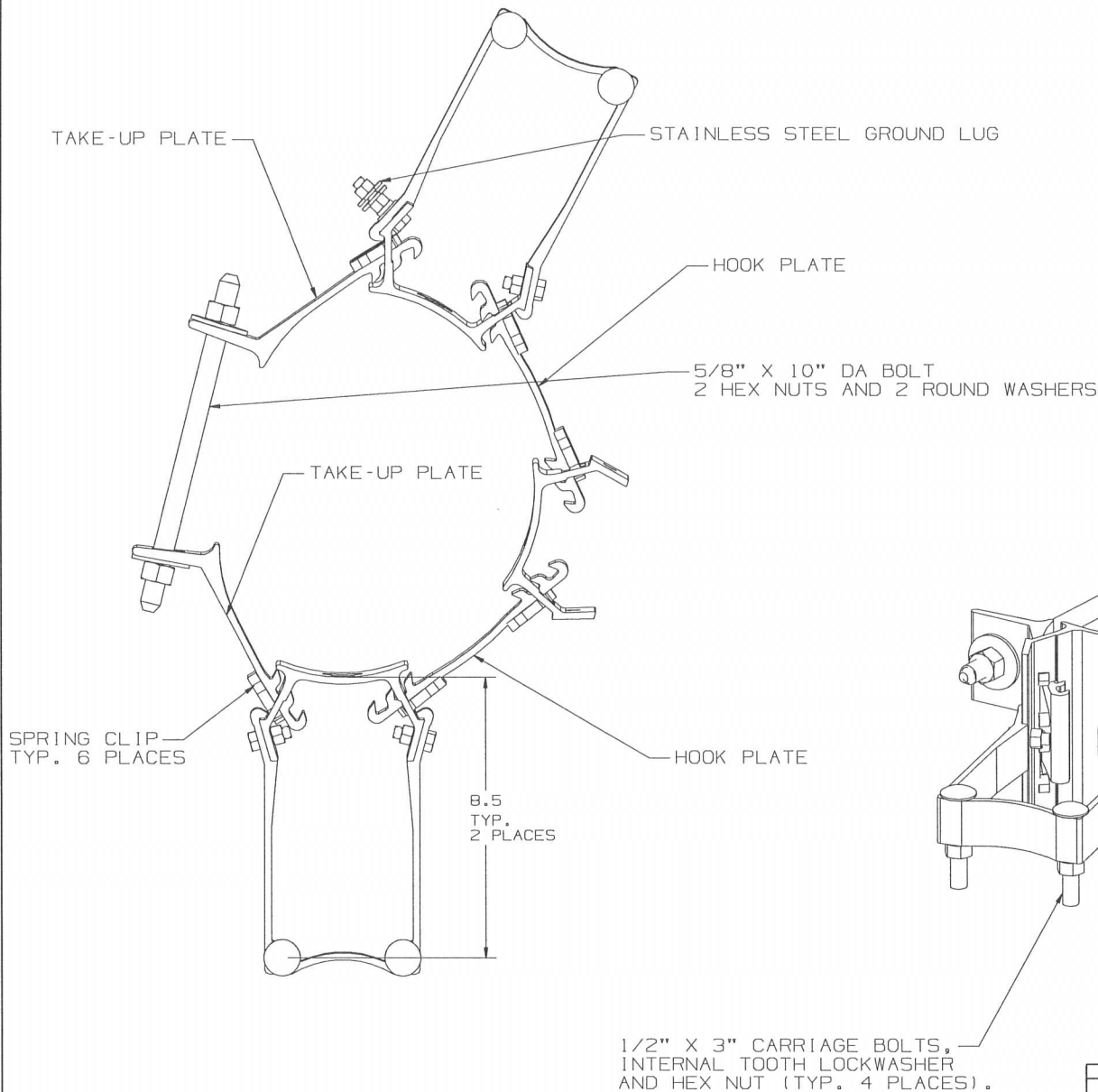


NOTES :

- 1.) ALL BRACKET MATERIAL IS ALUMINUM. BOLTS, NUTS AND WASHERS ARE GALVANIZED STEEL.
- 2.) EACH BANDED EQUIPMENT MOUNT INCLUDES DETAILED INSTALLATION INSTRUCTIONS AND POLE MEASURING TAPE.
- 3.) DA BOLT DOES NOT COME ASSEMBLED TO BRACKET AS SHOWN IN ILLUSTRATION.



CATALOG NUMBER: CEMB2

LATEST EC NO:		REV.	DATE	CHANGED BY	RESP ENGINEER
DO NOT SCALE THIS DWG					THIRD ANGLE PROJECTION
					1:50 DUAL DIMENSIONS IN-INCH, MM-MILLIMETER
DRN BY:	DATE	TITLE:			SIZE
JUL	08-17-11	BANDED EQUIPMENT MOUNT, 2 POSITION			C
					DWG NO: SACEMB-2

CONFIDENTIAL: THIS DRAWING AND ITS CONTENTS ARE CONFIDENTIAL AND THE EXCLUSIVE PROPERTY OF HUBBELL / A.B. CHANCE COMPANY. NO PUBLICATION, DISTRIBUTION OR COPIES MAY BE MADE WITHOUT WRITTEN CONSENT BY HUBBELL / A.B. CHANCE COMPANY. © 2001 HUBBELL/A.B. CHANCE. UNPUBLISHED - ALL RIGHTS RESERVED UNDER THE COPYRIGHT LAWS