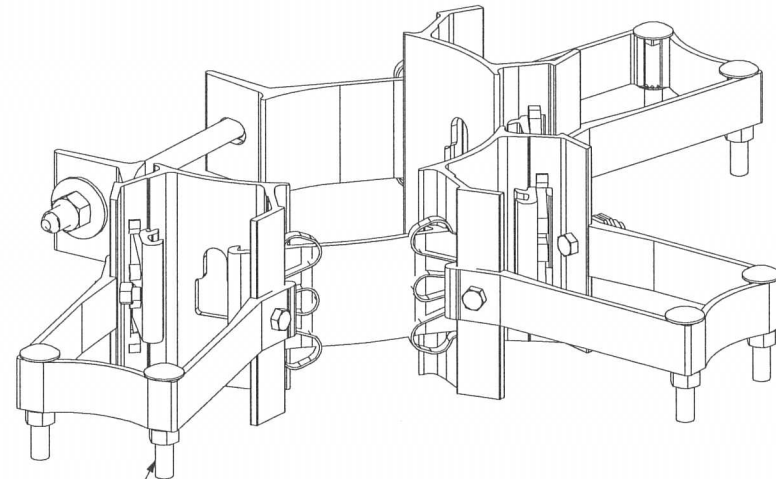
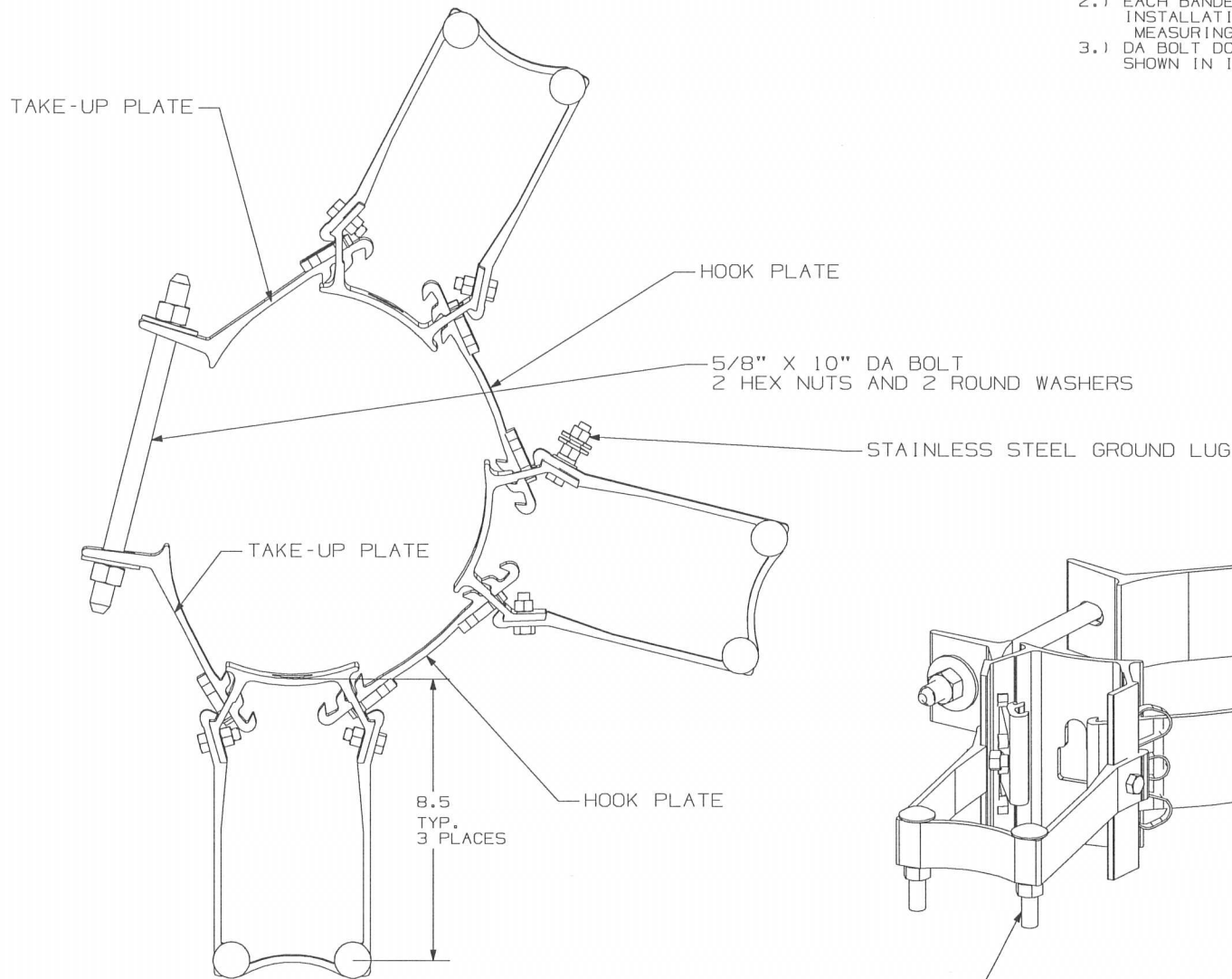


NOTES :

- 1.) ALL BRACKET MATERIAL IS ALUMINUM. BOLTS, NUTS AND WASHERS ARE GALVANIZED STEEL.
- 2.) EACH BANDED EQUIPMENT MOUNT INCLUDES DETAILED INSTALLATION INSTRUCTIONS AND POLE MEASURING TAPE.
- 3.) DA BOLT DOES NOT COME ASSEMBLED TO BRACKET AS SHOWN IN ILLUSTRATION.



1/2" X 3" CARRIAGE BOLT,
INTERNAL TOOTH LOCKWASHER
AND HEX NUT (TYP. 6 PLACES)

CATALOG NUMBER: CEMB3

| | | | | | |
|---------------|----------|------------------------------------|-------|--|------------------------|
| LATEST EC NO: | | REV. | DATE | CHANGED BY | RESP ENGINEER |
| ----- | | - | ----- | ----- | ----- |
| | | | | DO NOT SCALE THIS DWG | THIRD ANGLE PROJECTION |
| | | | | ISO DUAL DIMENSIONS IN-INCH, MM-MILLIMETER | |
| DRN BY: | DATE | TITLE: | | | SIZE |
| JUL | 08-17-11 | BANDED EQUIPMENT MOUNT, 3 POSITION | | | C |
| | | | | | DWG NO: SACEMB-3 |

CONFIDENTIAL: THIS DRAWING AND ITS CONTENTS ARE CONFIDENTIAL AND THE EXCLUSIVE PROPERTY OF HUBBELL / A.B. CHANCE COMPANY. NO PUBLICATION, DISTRIBUTION OR COPIES MAY BE MADE WITHOUT WRITTEN CONSENT BY HUBBELL / A.B. CHANCE COMPANY. © 2001 HUBBELL/A.B. CHANCE. UNPUBLISHED - ALL RIGHTS RESERVED UNDER THE COPYRIGHT LAWS