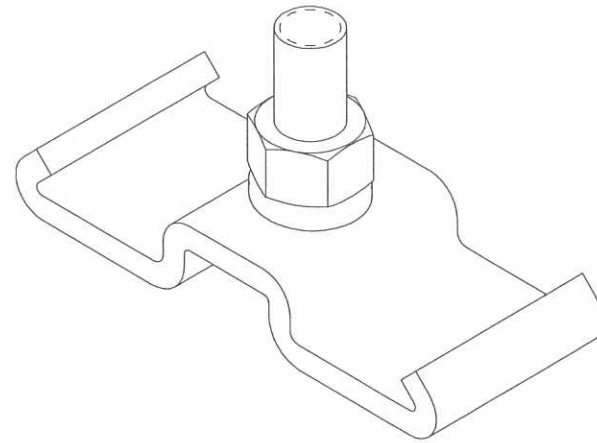
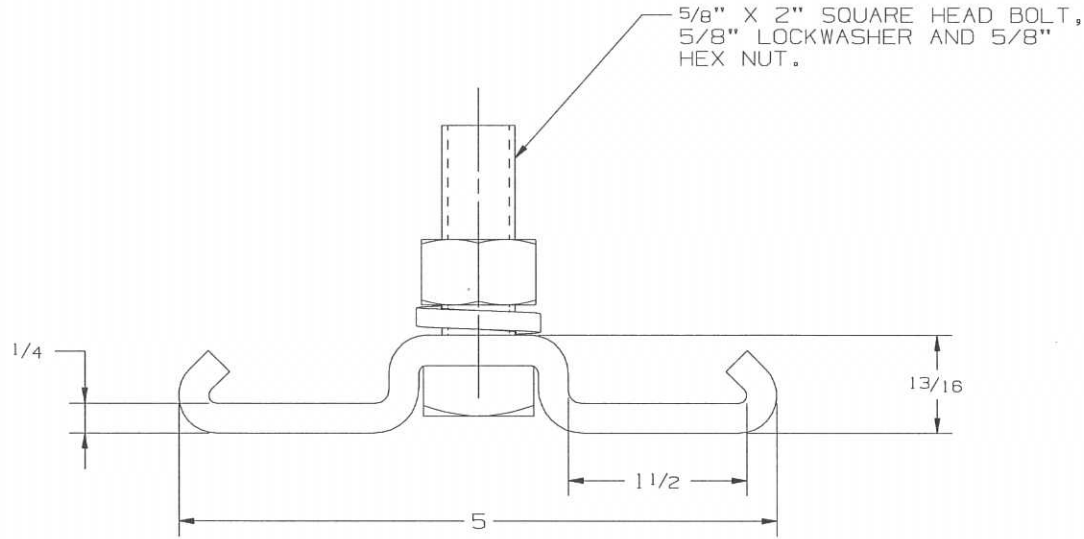


NOTES :

- 1.) BRACKET MATERIAL: ALUMINUM  
HARDWARE MATERIAL: STEEL, GALVANIZED  
PER ASTM A153.
- 2.) ASSEMBLED COMPLETE AS SHOWN.



CATALOG NUMBER: CHDBB1511H

LATEST EC NO:		REV.	DATE	CHANGED BY	RESP ENGINEER
---		-	-----	---	---
				DO NOT SCALE THIS DWG	THIRD ANGLE PROJECTION
				1:50 DUAL DIMENSIONS IN-INCH, MM-MILLIMETER	
DRN BY:	DATE	TITLE:			SIZE
JUL	01-20-12	ALL PURPOSE EQUIPMENT MOUNT			B
				DWG NO: SACHDBB-1511-H	

CONFIDENTIAL: THIS DRAWING AND ITS CONTENTS ARE CONFIDENTIAL AND THE EXCLUSIVE PROPERTY OF HUBBELL / A.B. CHANCE COMPANY. NO PUBLICATION, DISTRIBUTION OR COPIES MAY BE MADE WITHOUT WRITTEN CONSENT BY HUBBELL / A.B. CHANCE COMPANY. © 2001 HUBBELL/A.B. CHANCE. UNPUBLISHED - ALL RIGHTS RESERVED UNDER THE COPYRIGHT LAWS