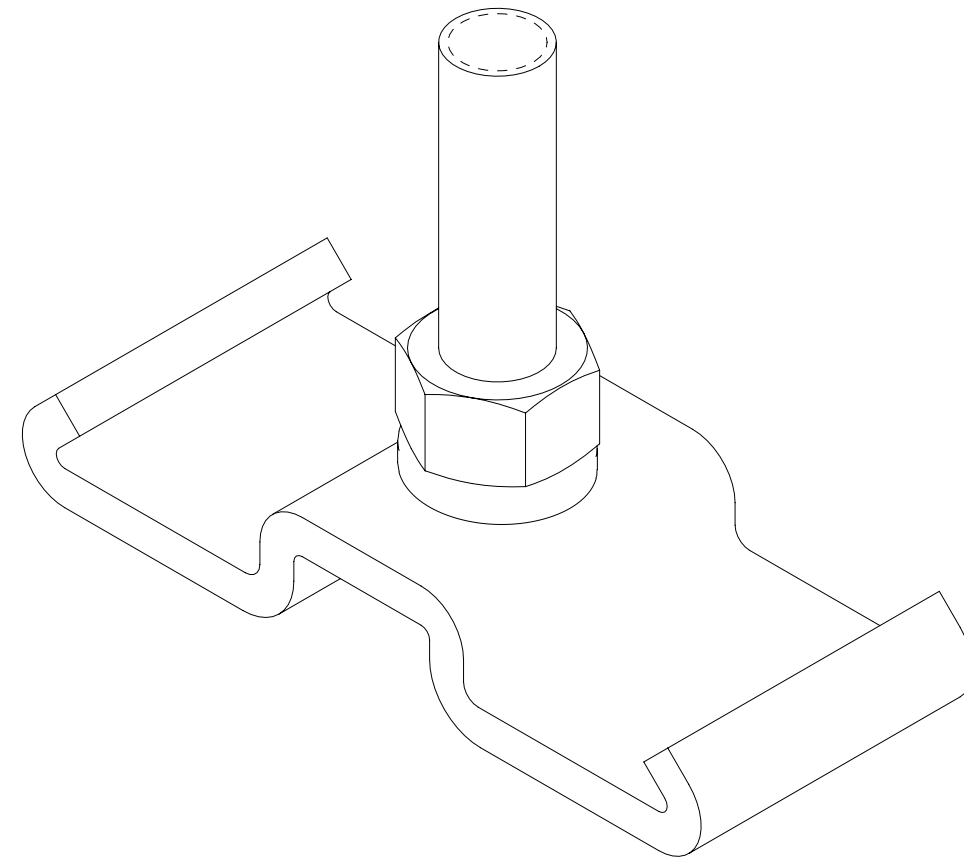
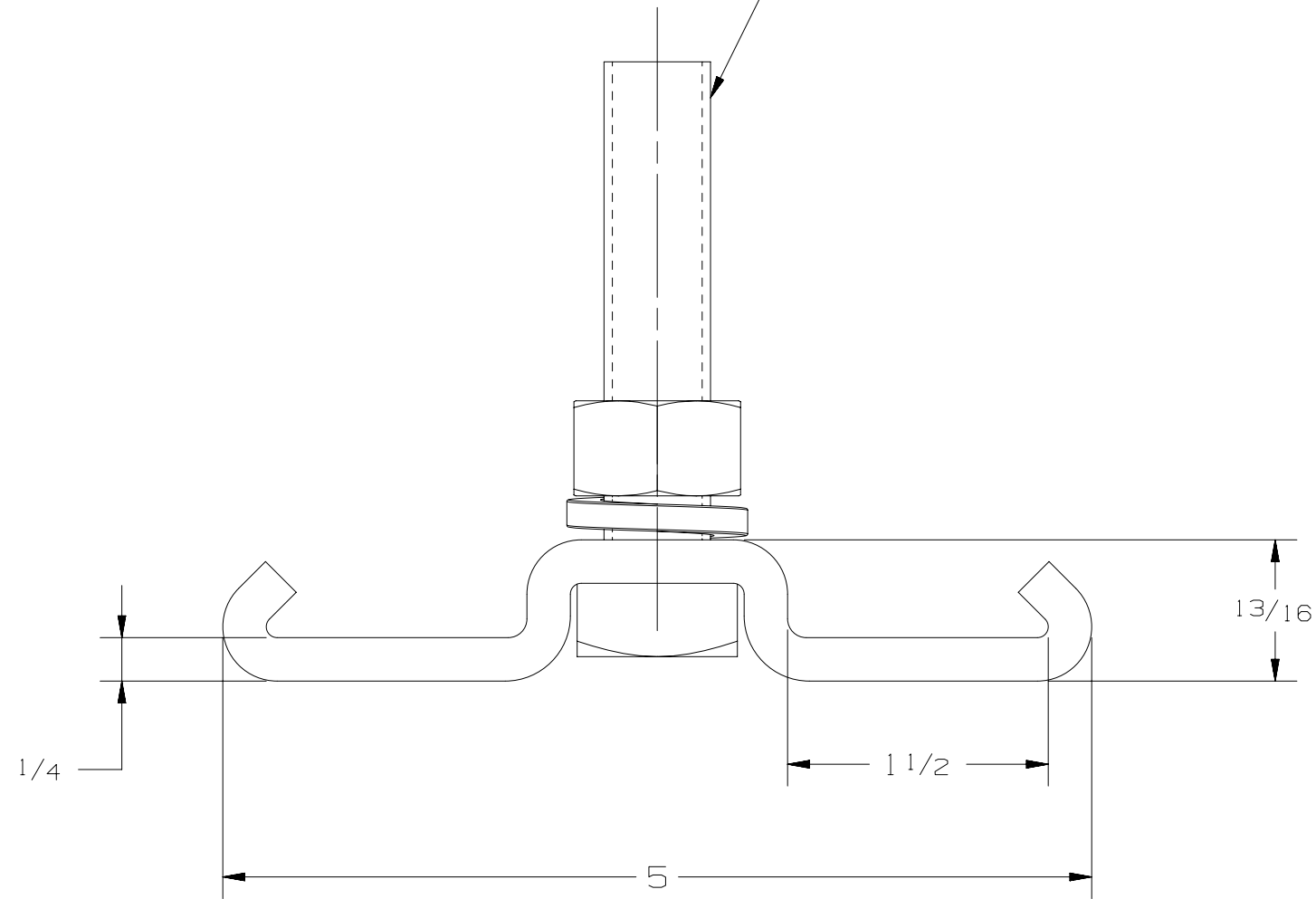


NOTES :

- 1.) BRACKET MATERIAL: ALUMINUM  
HARDWARE MATERIAL: STEEL, GALVANIZED.
- 2.) ASSEMBLED COMPLETE AS SHOWN.

5/8" X 3" SQUARE HEAD BOLT  
(GRADE 5), 5/8" LOCKWASHER  
AND 5/8" HEX NUT.



CATALOG NUMBER: CHDBB1511H3H

| LATEST EC NO: |          | REV.                        | DATE  | CHANGED BY                                    | RESP ENGINEER          |
|---------------|----------|-----------------------------|-------|-----------------------------------------------|------------------------|
| ---           |          | -                           | ----- | ---                                           | ---                    |
|               |          |                             |       | DO NOT SCALE THIS DWG                         | THIRD ANGLE PROJECTION |
|               |          |                             |       | ISO DUAL DIMENSIONS<br>IN=INCH, MM=MILLIMETER |                        |
| DRN BY:       | DATE     | TITLE:                      |       |                                               | SIZE                   |
| JJL           | 02-03-12 | ALL PURPOSE EQUIPMENT MOUNT |       |                                               | B                      |
|               |          |                             |       |                                               |                        |
|               |          |                             |       | DWG NO: SACHDBB-1511-H3H                      |                        |

CONFIDENTIAL: THIS DRAWING AND ITS CONTENTS ARE CONFIDENTIAL AND THE EXCLUSIVE PROPERTY OF HUBBELL / A.B. CHANCE COMPANY. NO PUBLICATION, DISTRIBUTION OR COPIES MAY BE MADE WITHOUT WRITTEN CONSENT BY HUBBELL / A.B. CHANCE COMPANY.  
 © 2001 HUBBELL/A.B. CHANCE. UNPUBLISHED - ALL RIGHTS RESERVED UNDER THE COPYRIGHT LAWS