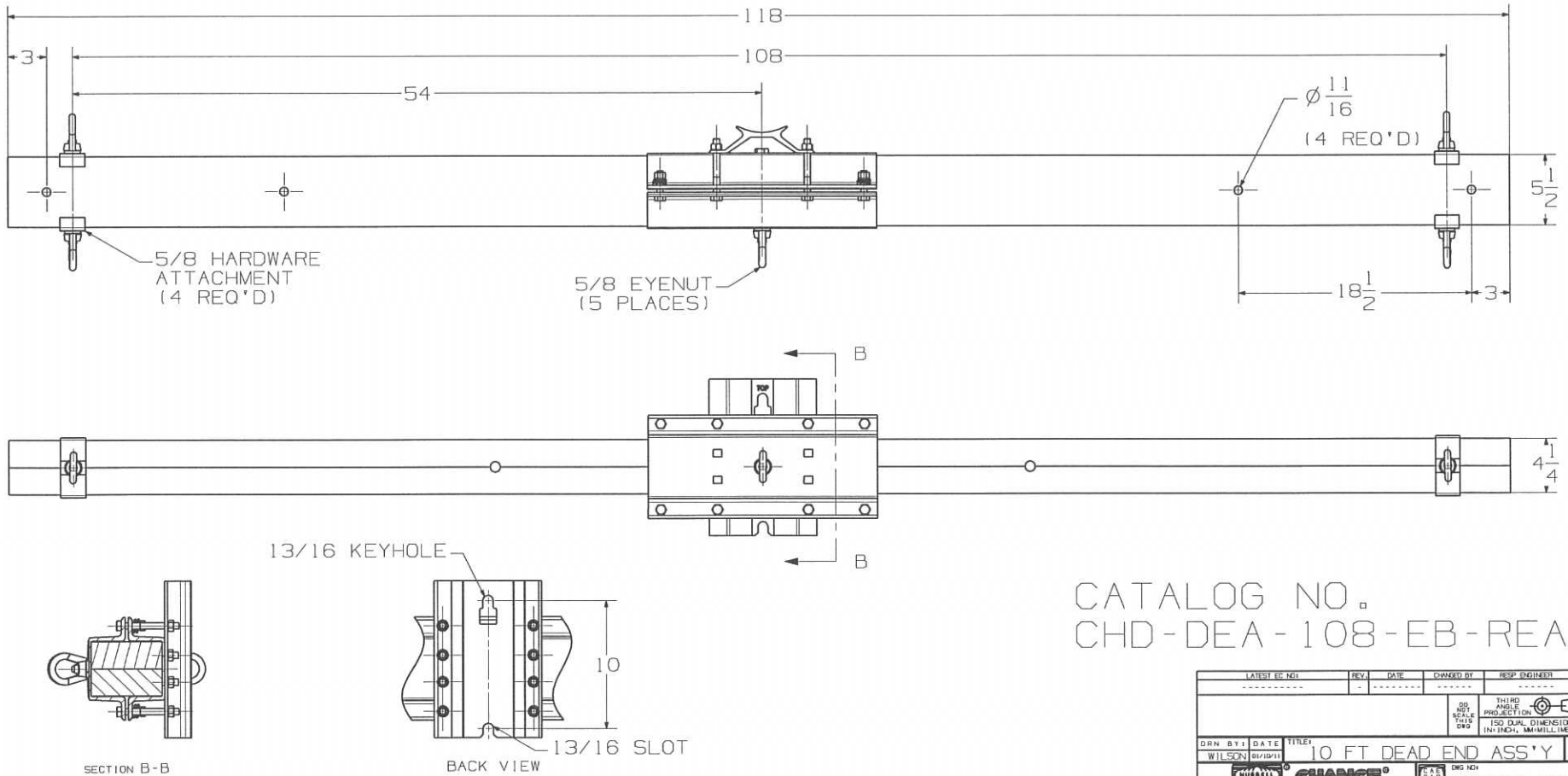


-NOTES-

1. MATERIAL: APITONG WOOD WITH 6061-T6 ALUMINUM FITTINGS.
2. APITONG WOOD IS TREATED WITH COPPER NAPHTHENATE PER AWPA P8 (LATEST REVISION).



CATALOG NO.
CHD-DEA-108-EB-REA

DATE	REV.	DATE	CHANGED BY	RESP. ENGINEER
DRN BY: DATE TITLE WILSON 01/10/11 10 FT DEAD END ASS'Y				
DO NOT SCALE THIS DWG		THIRD ANGLE PROJECTION		
ISO DIM. DIMENSIONS (IN-CH, MM/MILLIMETER)				
CHANCE <small>WOODWORK</small>			SACHD-DEA-108-EB-REA	

CONFIDENTIAL THIS DRAWING AND ITS CONTENTS ARE CONFIDENTIAL AND THE EXCLUSIVE PROPERTY OF HARBEL/ A.B. CHANCE COMPANY. NO REPRODUCTION, DISTRIBUTION OR PUBLICATION OF THIS DRAWING OR ITS CONTENTS IS PERMITTED WITHOUT THE WRITTEN PERMISSION OF HARBEL/ A.B. CHANCE. ALL RIGHTS RESERVED UNDER THE COPYRIGHT LAWS OF 2001 HARBEL/ A.B. CHANCE.